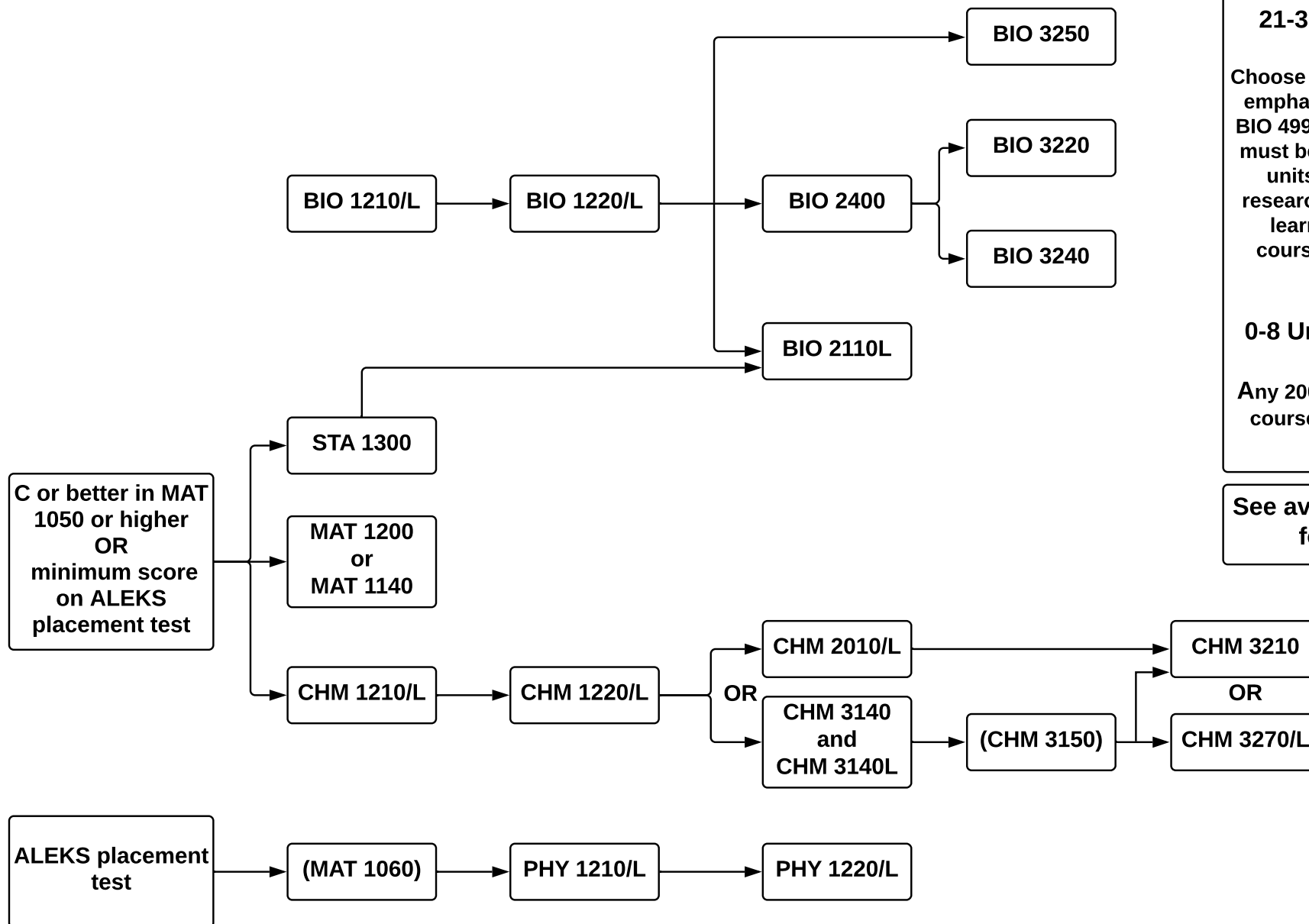


2019-2020
College of Science
Flow Charts



General Biology



29-31 Major Electives

21-31 Units Emphasis Electives

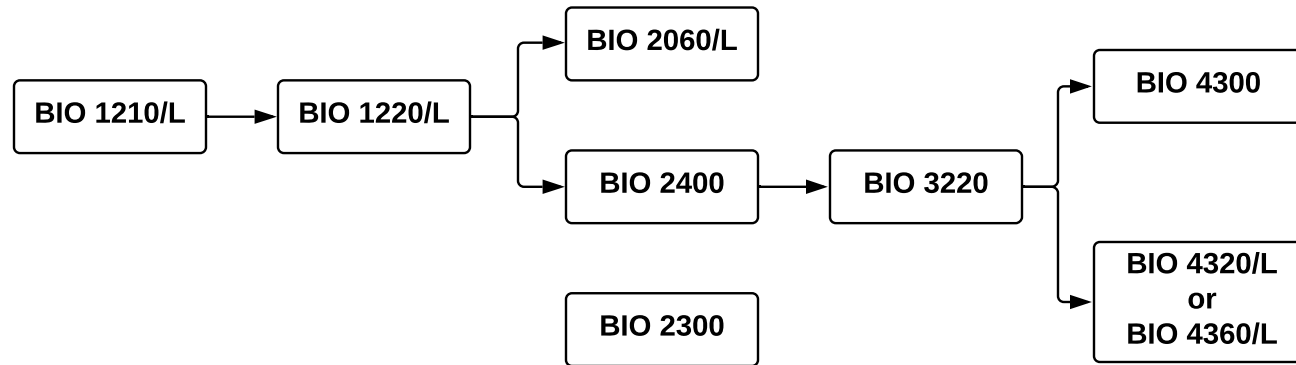
Choose any course from the six emphases or BIO 2990/A/L or BIO 4990/A/L. At least 12 units must be at 4000-level. Up to 4 units combined from the research supervisory, service learning, and internship courses may count toward electives.

0-8 Units Non-Emphasis Electives

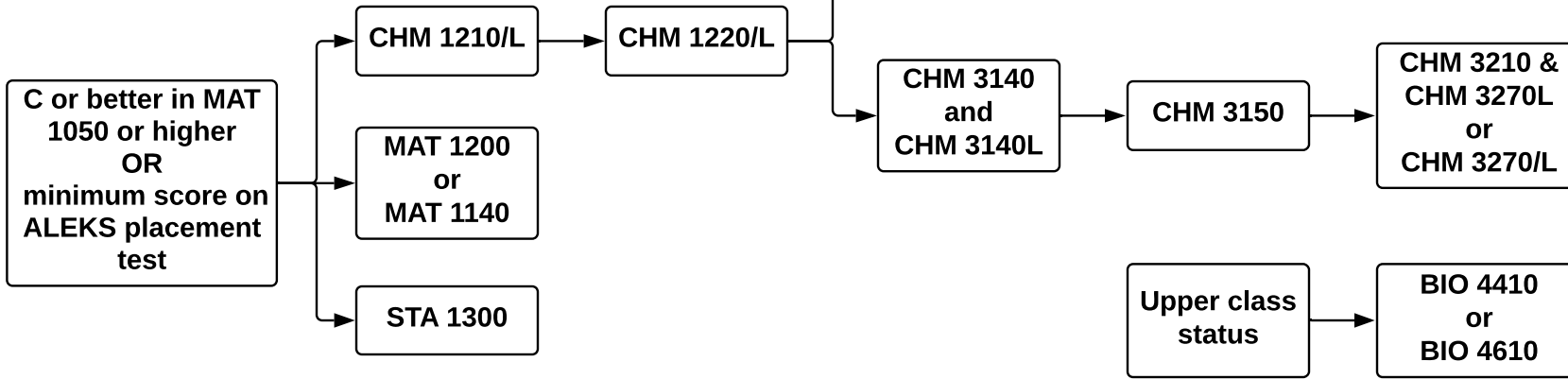
Any 2000 level and up science course or any additional GE Area B5 course

See available BIO courses for GE Area B5

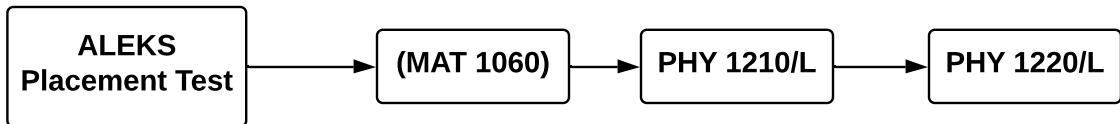
Biotechnology



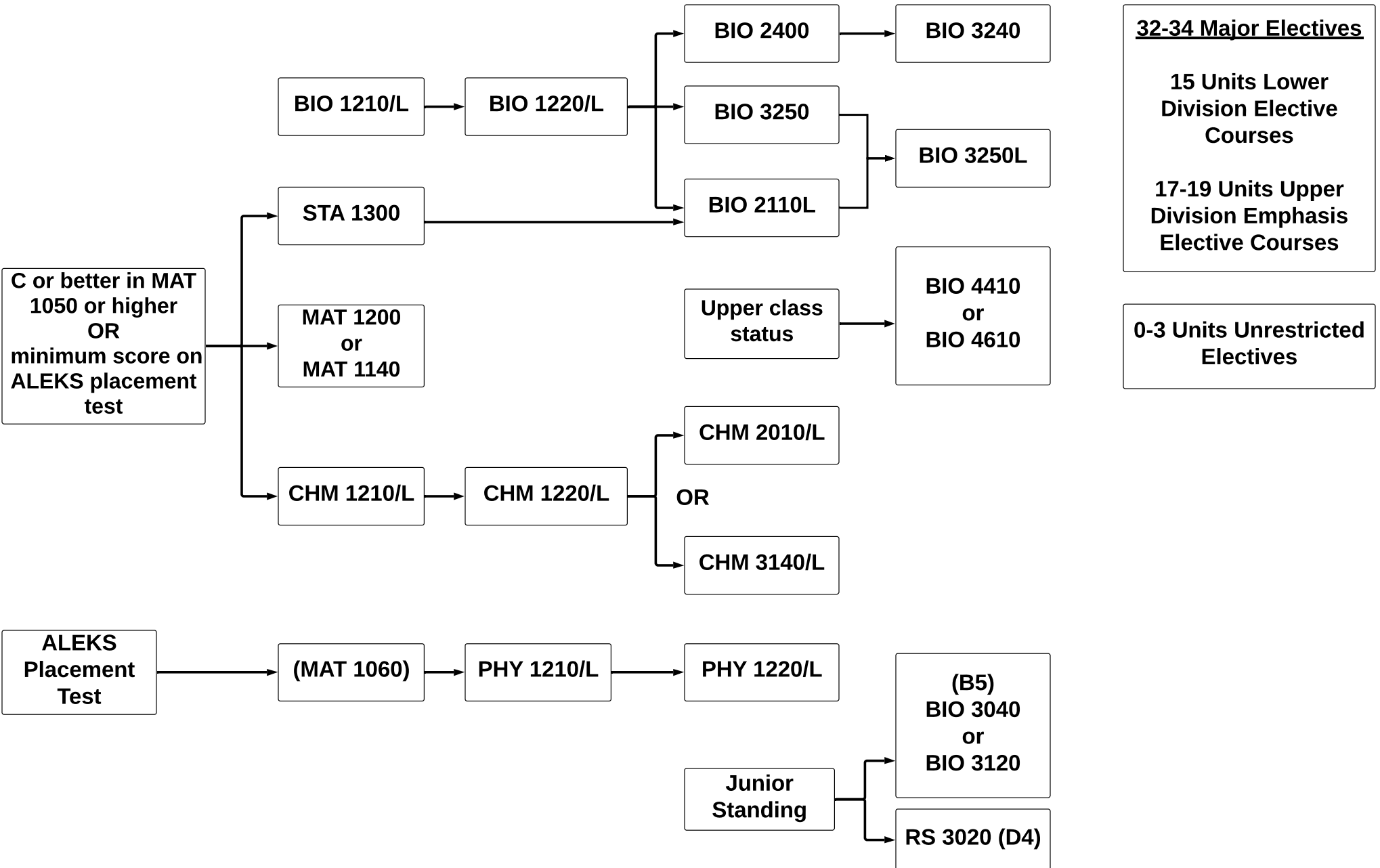
15-16 Units Elective Core Courses
 Choose any course from the five emphases & up to 3 units combined from the unused BIO 4410/4610, BIO 4000, or BIO 4620.



See available BIO courses for GE Area B5



Environmental Biology



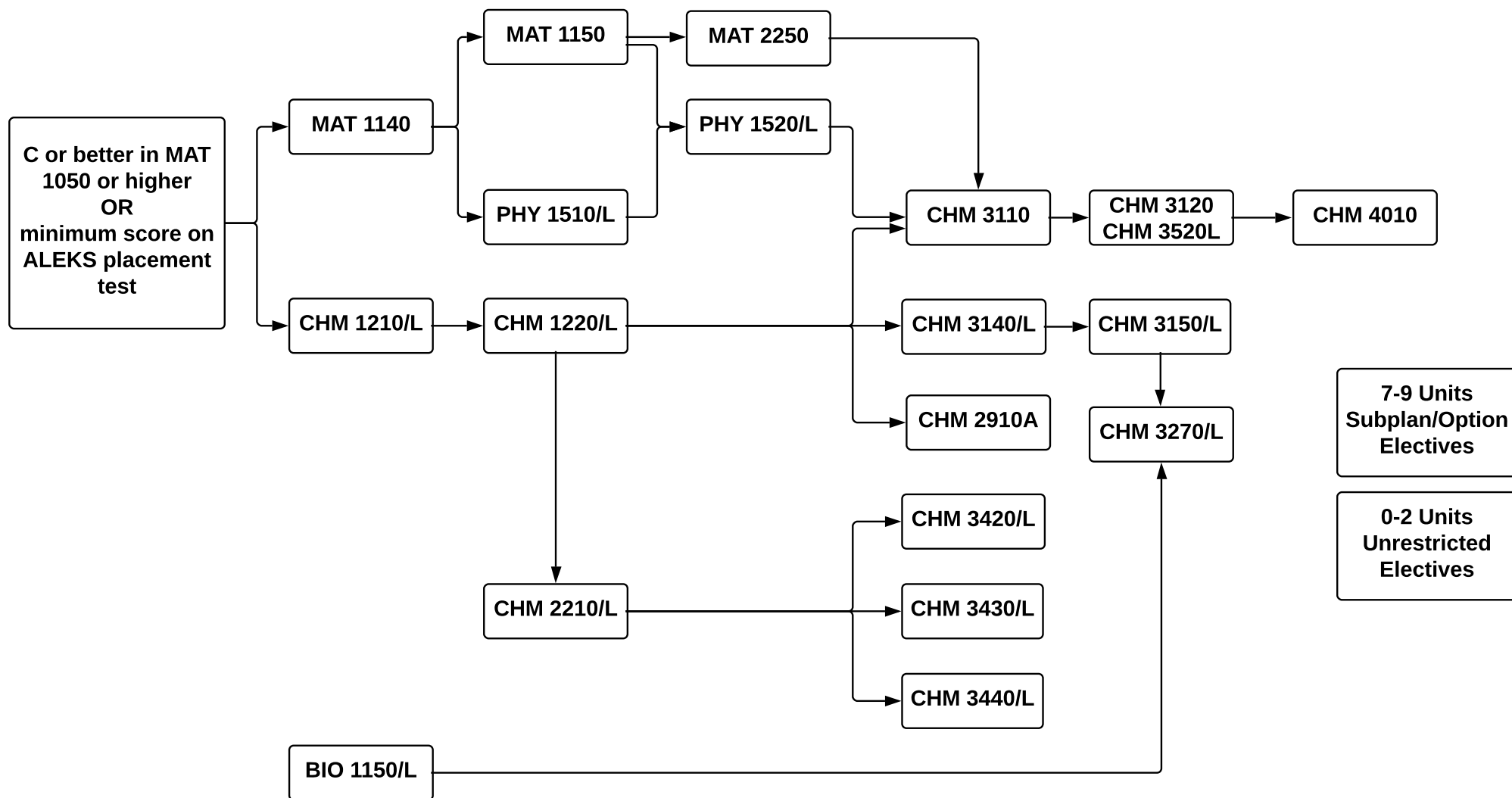
32-34 Major Electives

15 Units Lower Division Elective Courses

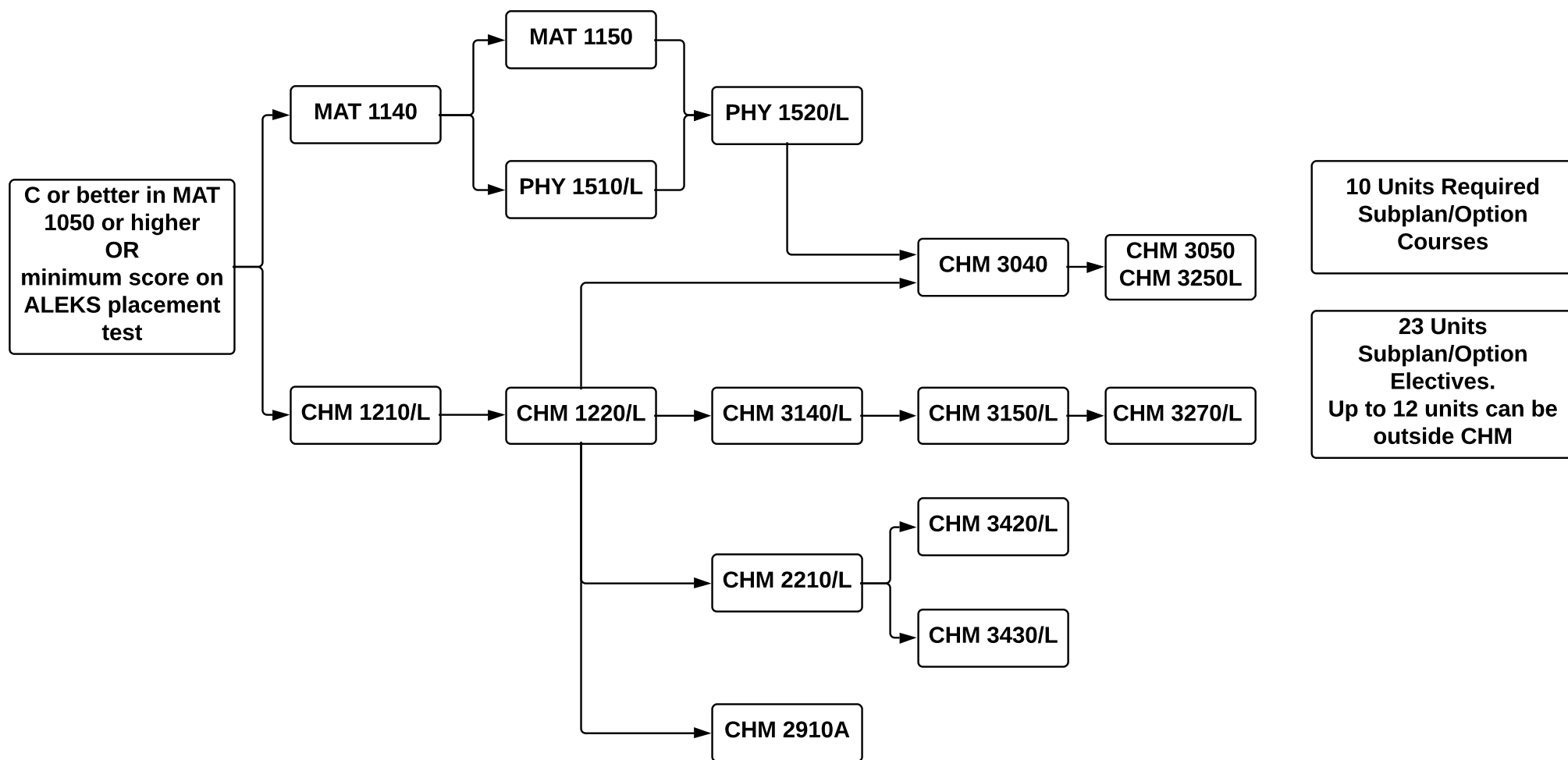
17-19 Units Upper Division Emphasis Elective Courses

0-3 Units Unrestricted Electives

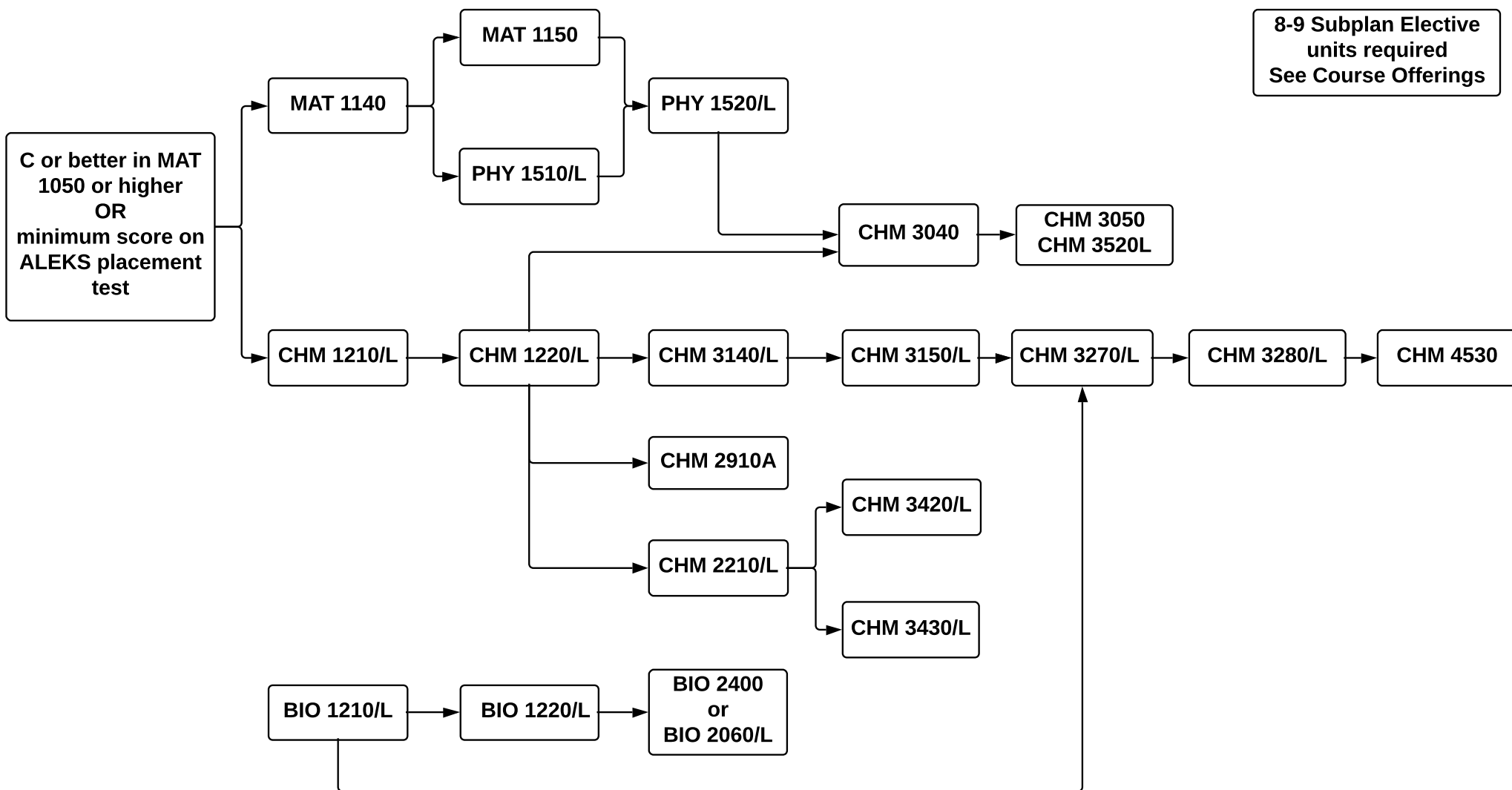
Chemistry: ACS



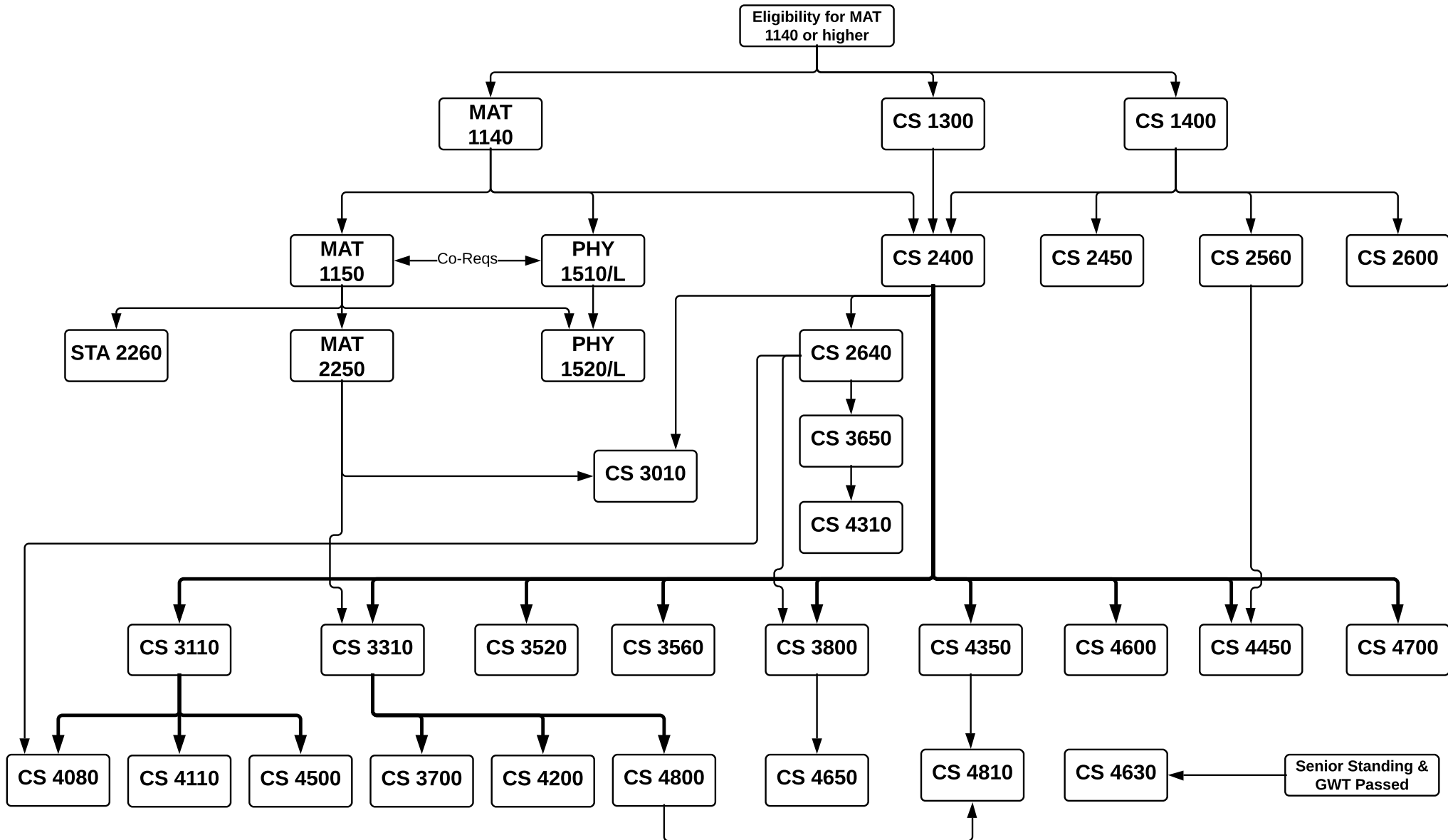
Chemistry: General



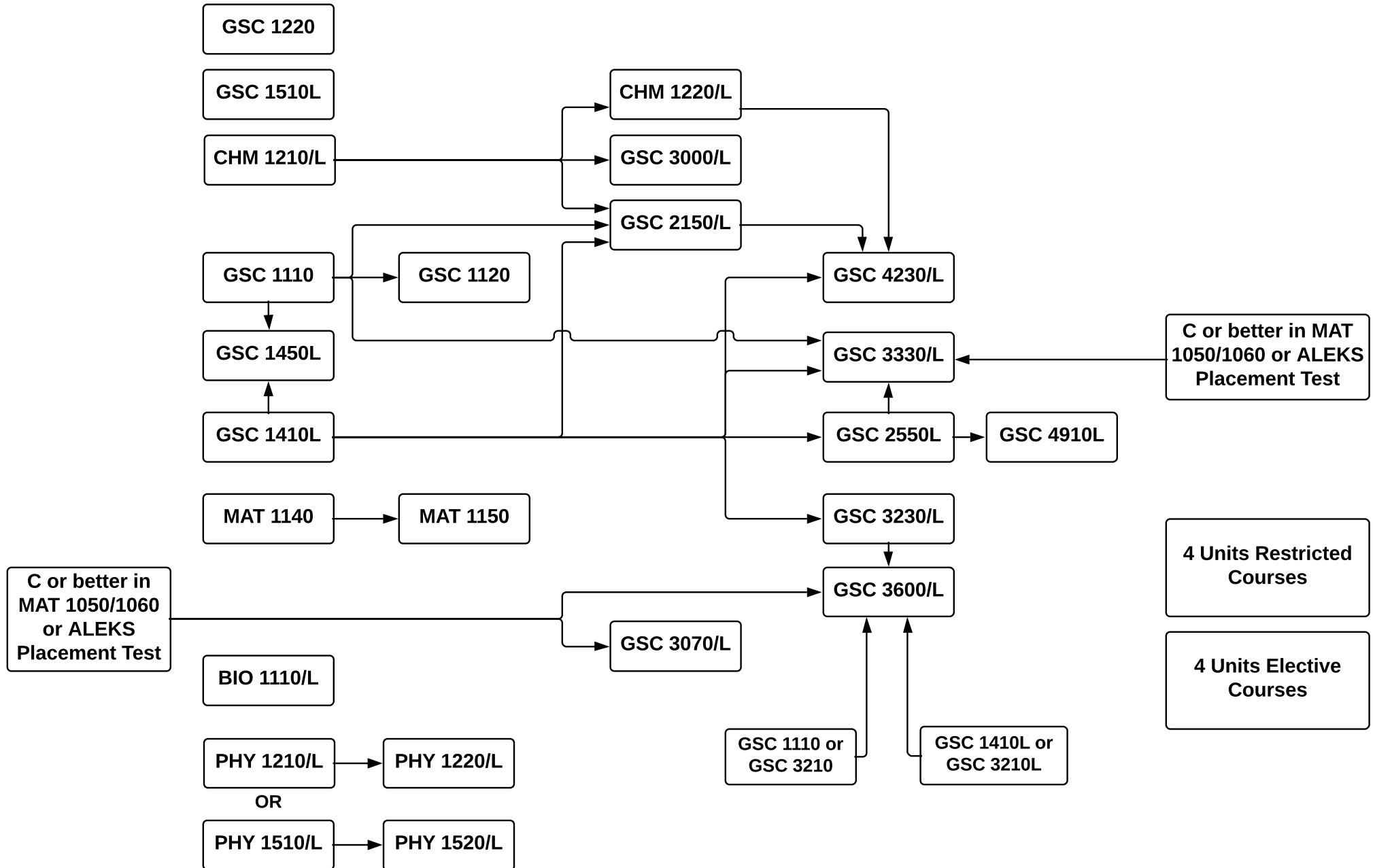
Chemistry: Biochemistry



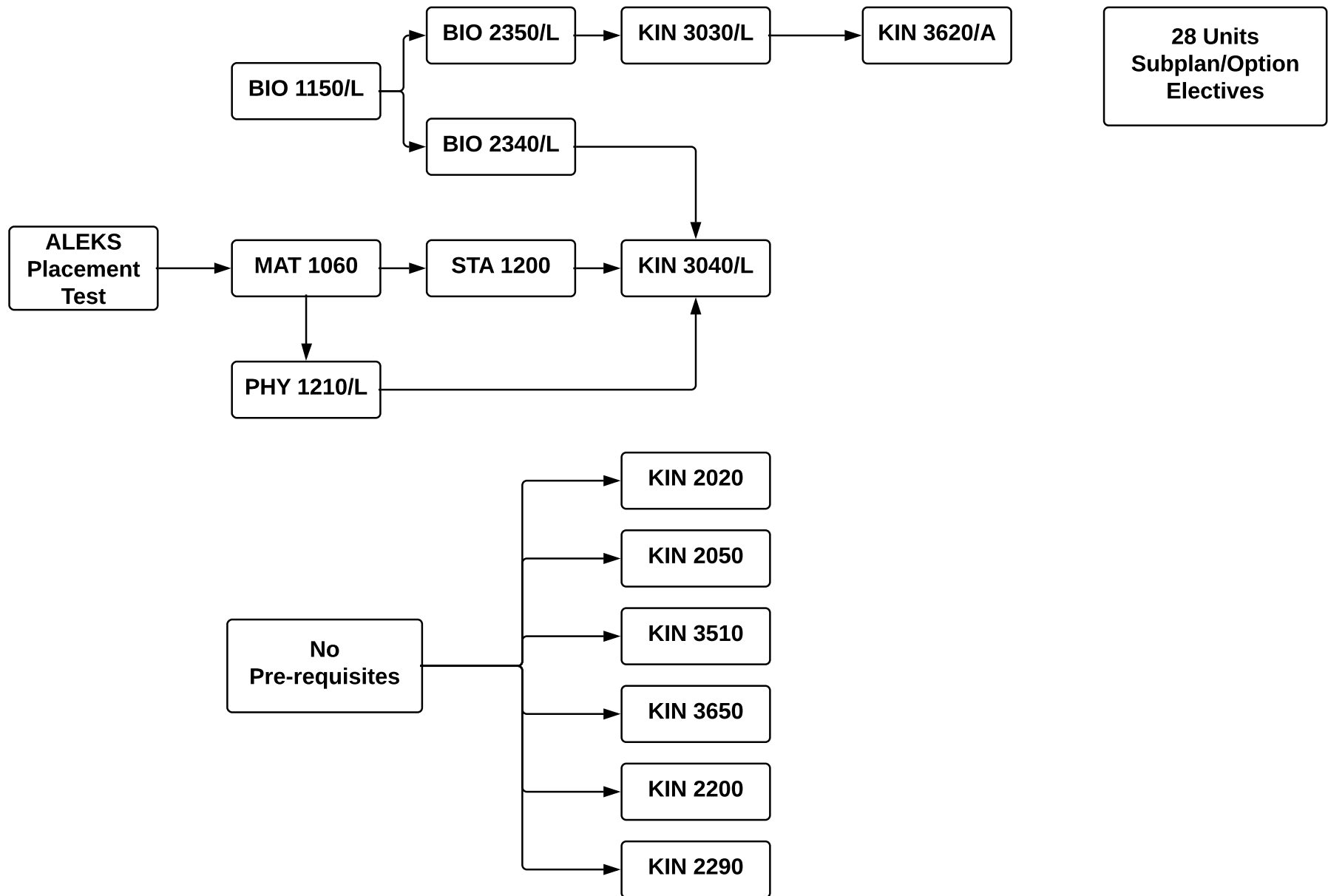
Computer Science



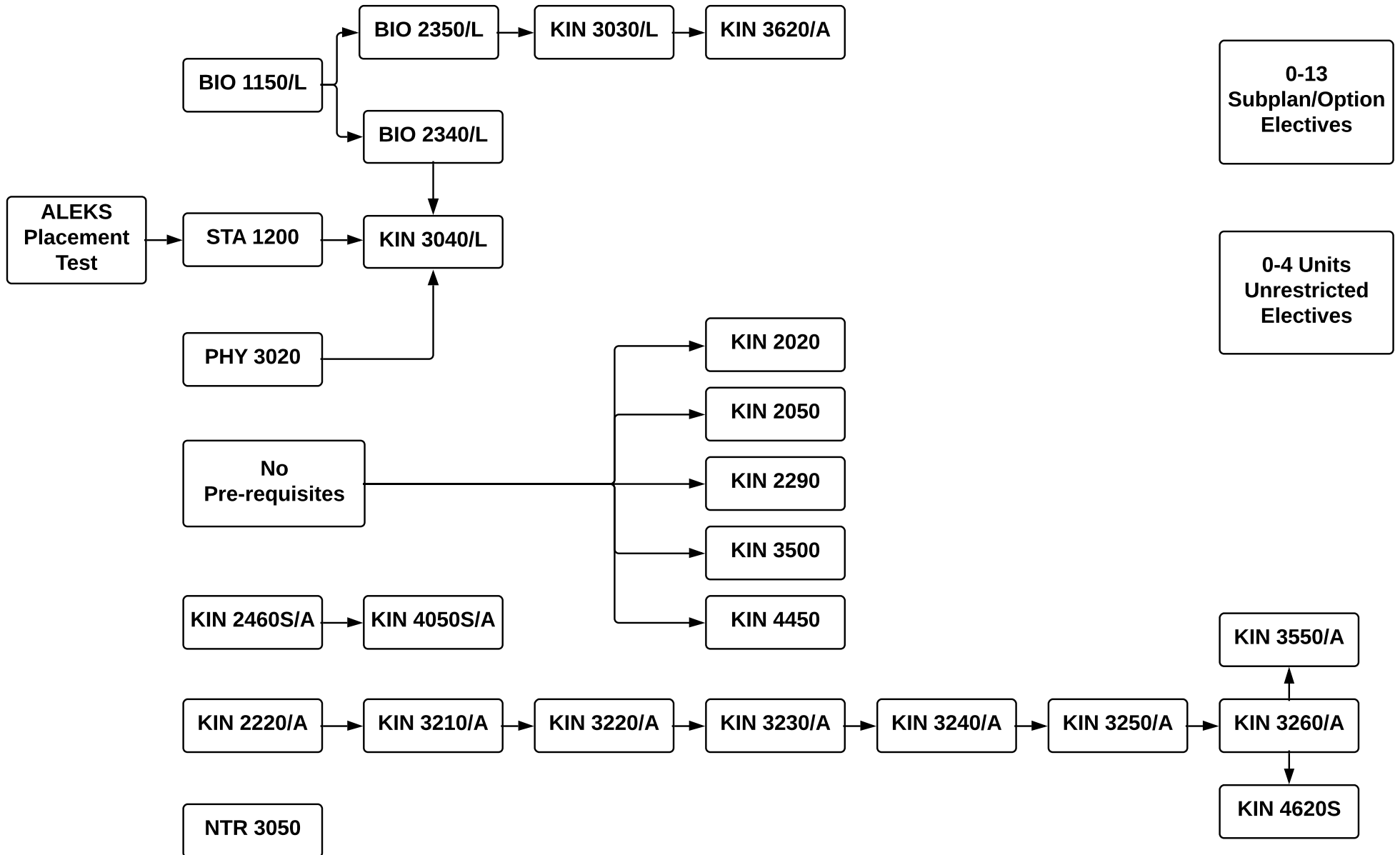
Geological Sciences



Kinesiology: General

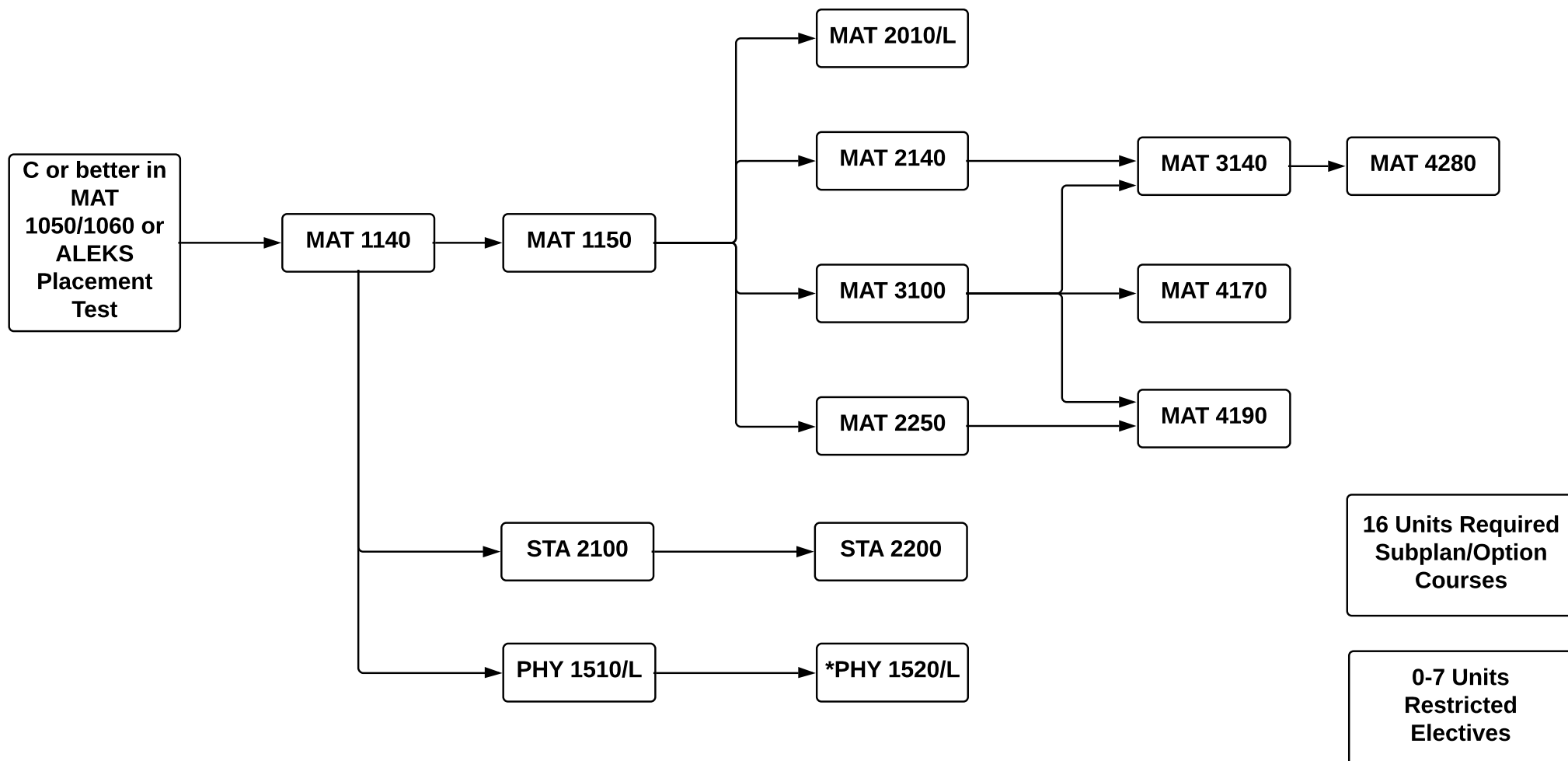


Kinesiology: Pedagogy



Mathematics

All Options

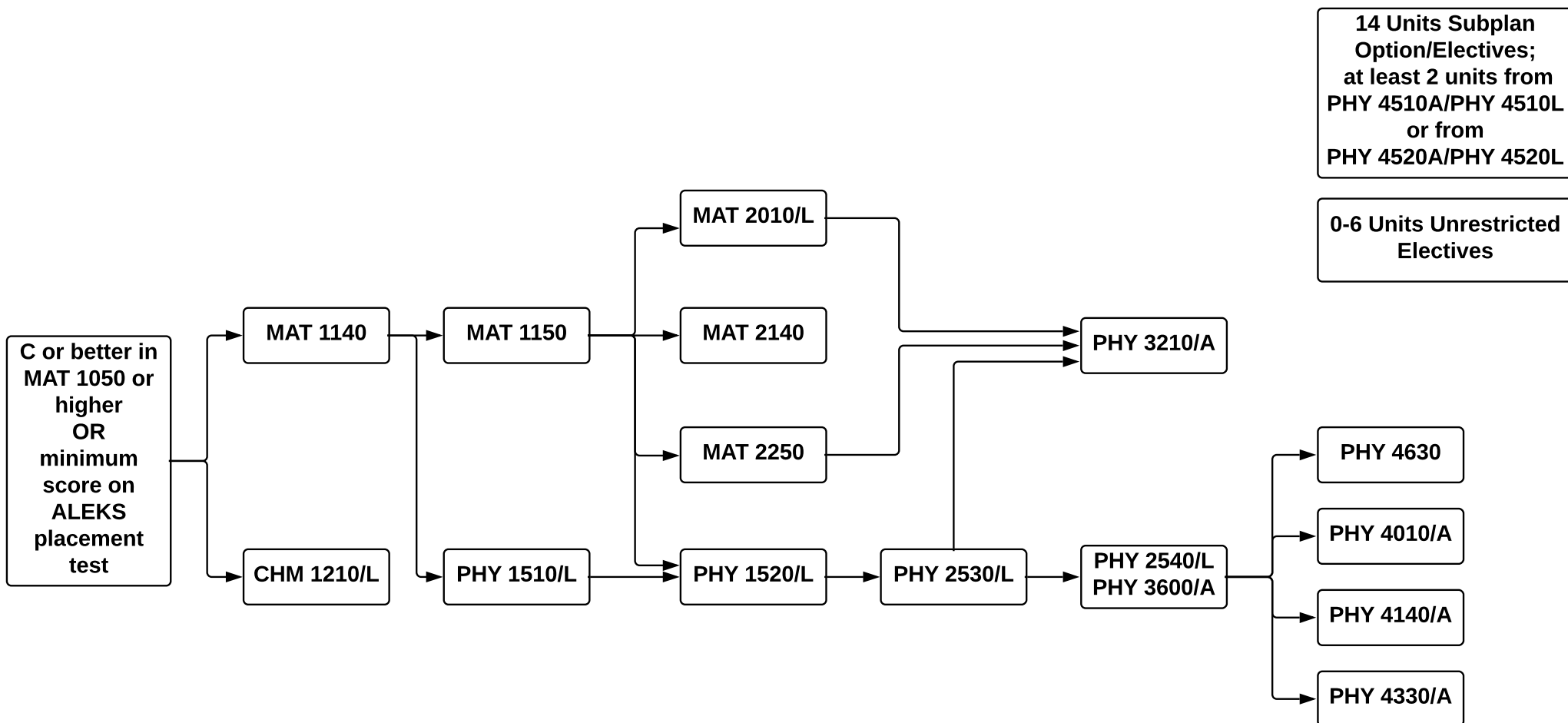


* If student takes BIO 1210/L and BIO 1220/L, then PHY 1520/L is not required. Recommended for students who are interested in biostatistics or mathematical biology.

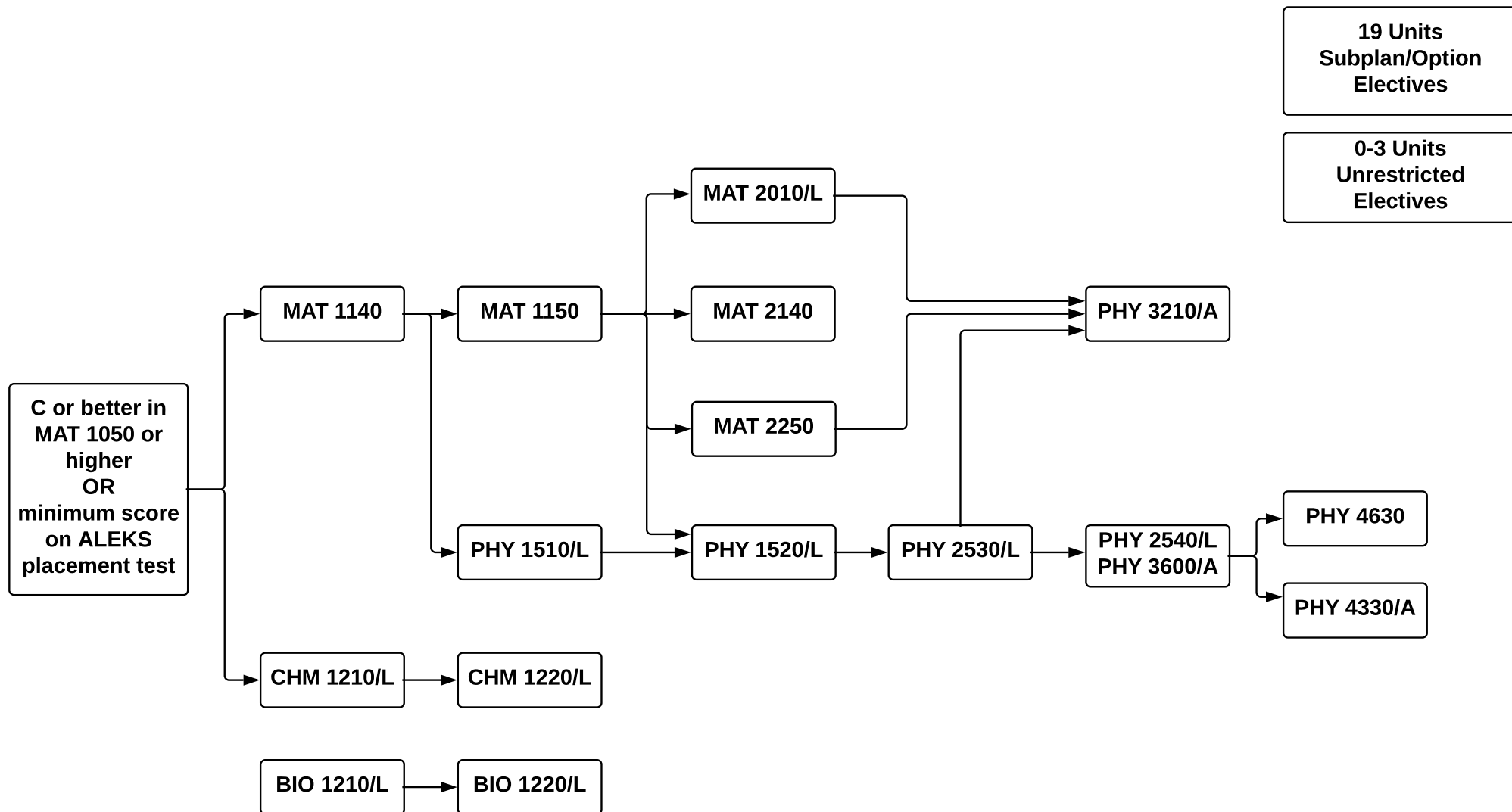
16 Units Required
 Subplan/Option
 Courses

0-7 Units
 Restricted
 Electives

Physics: General



Physics: Biophysics



Physics: Integrated Science

