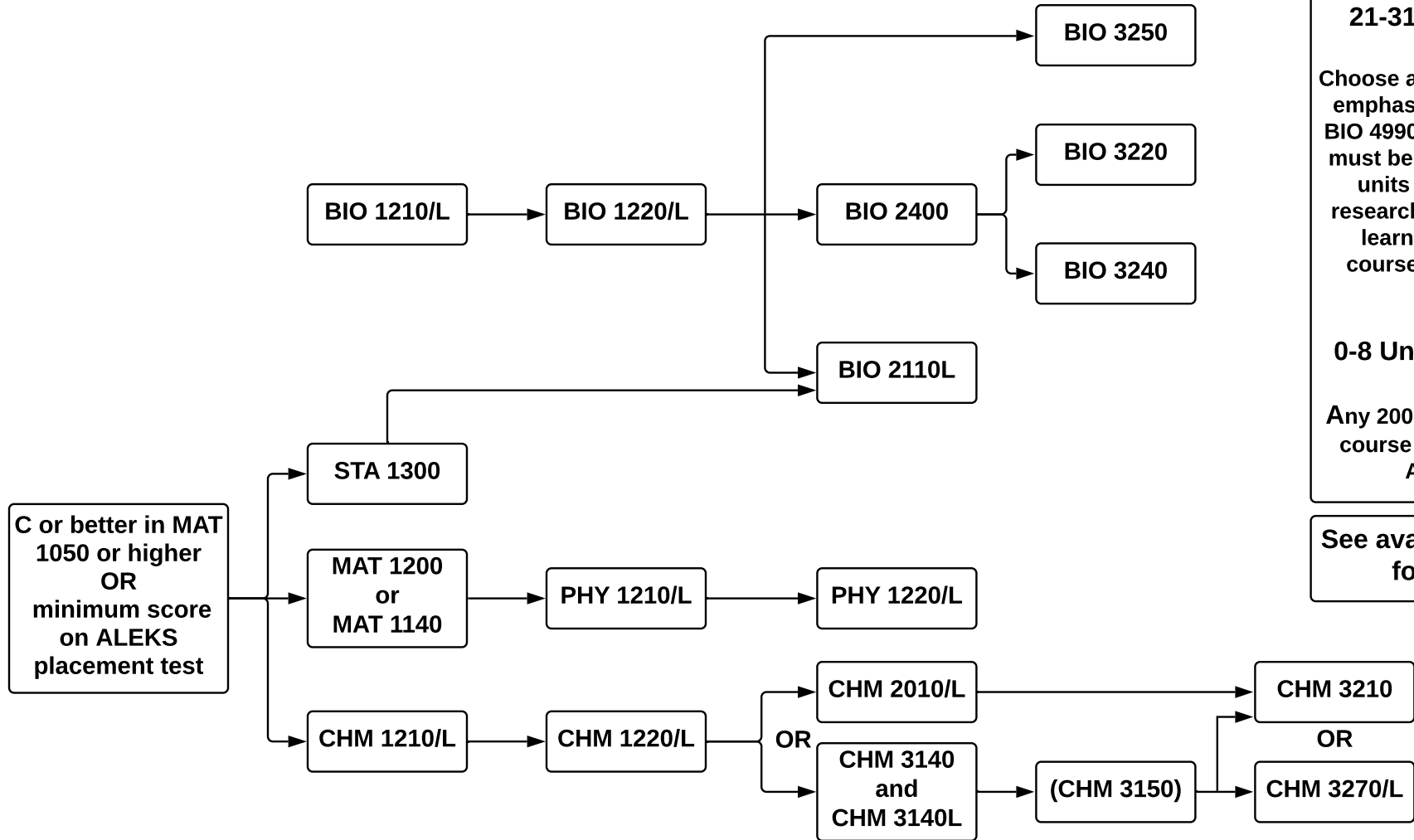


2020-2021
College of Science
Flow Charts



General Biology



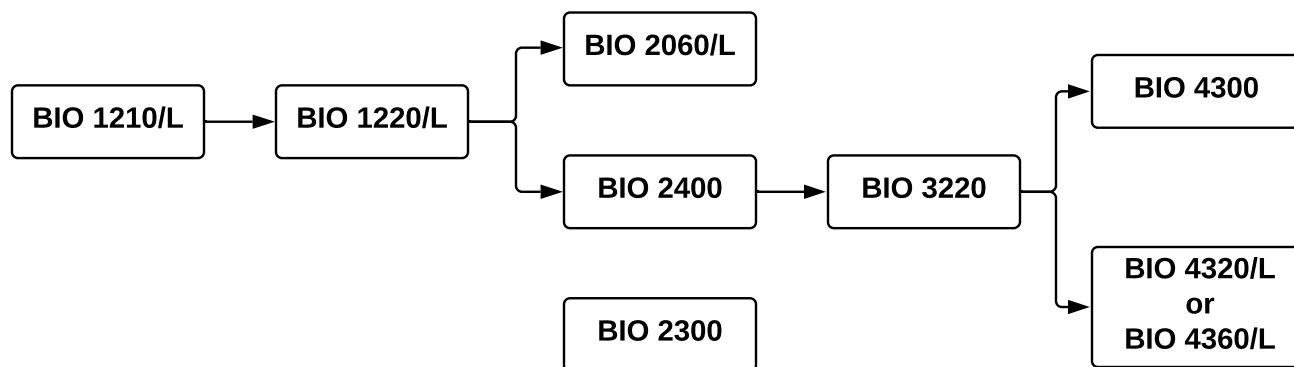
29-31 Major Electives

21-31 Units Emphasis Electives
 Choose any course from the six emphases or BIO 2990/A/L or BIO 4990/A/L. At least 12 units must be at 4000-level. Up to 4 units combined from the research supervisory, service learning, and internship courses may count toward electives.

0-8 Units Non-Emphasis Electives
 Any 2000 level and up science course or any additional GE Area B5 course

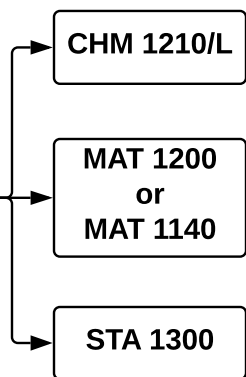
See available BIO courses for GE Area B5

Biotechnology

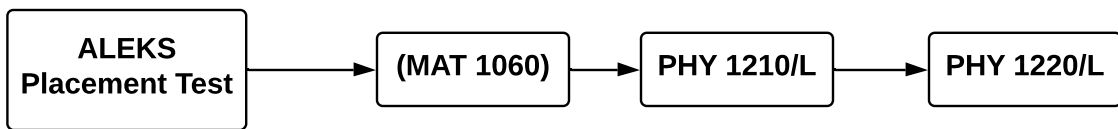
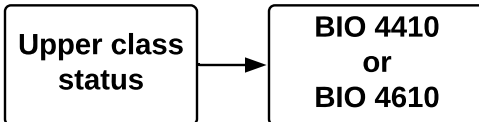


15-16 Units Elective Core Courses
 Choose any course from the five emphases & up to 3 units combined from the unused BIO 4410/4610, BIO 4000, or BIO 4620.

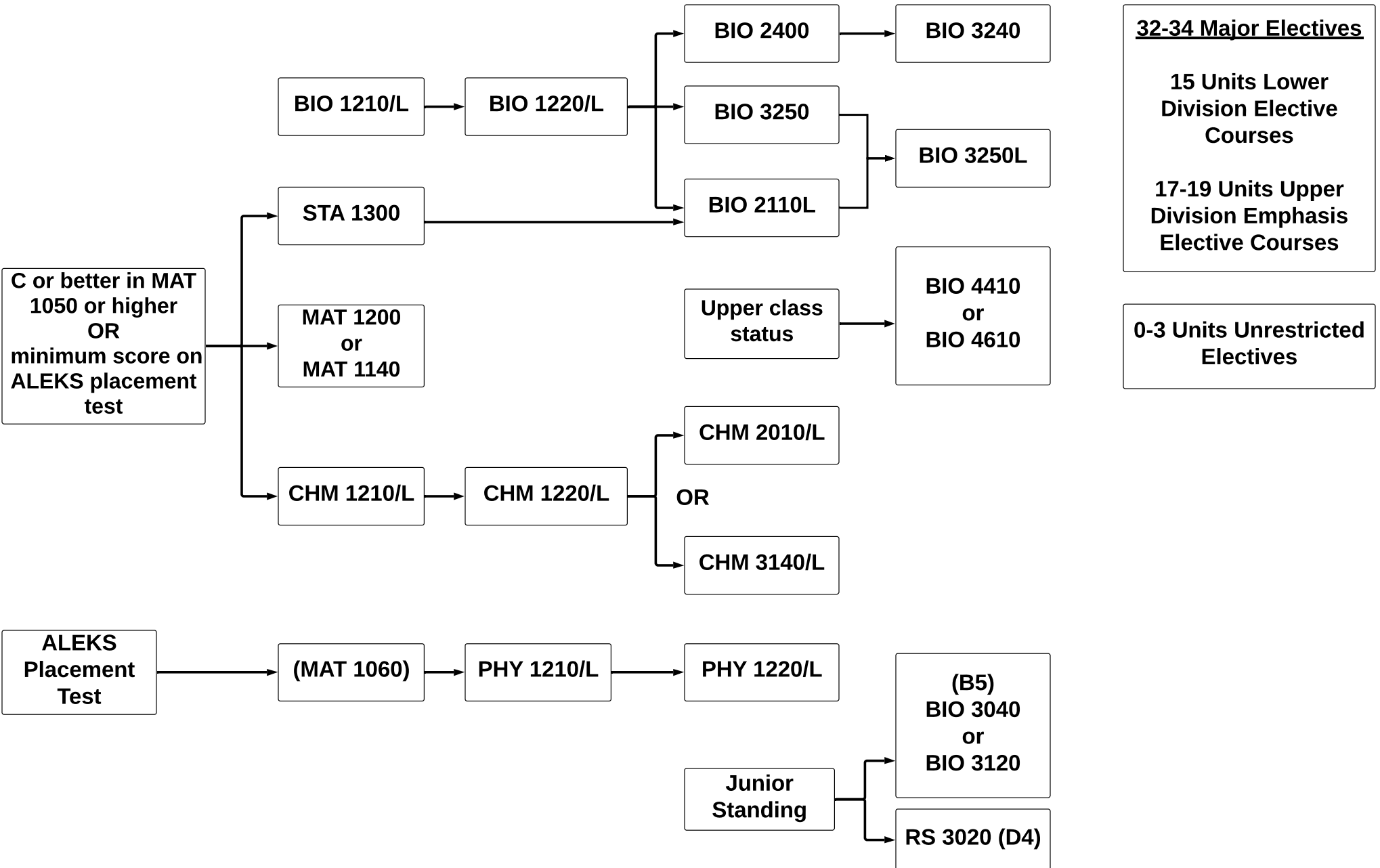
C or better in MAT 1050 or higher
 OR
 minimum score on ALEKS placement test



See available BIO courses for GE Area B5



Environmental Biology



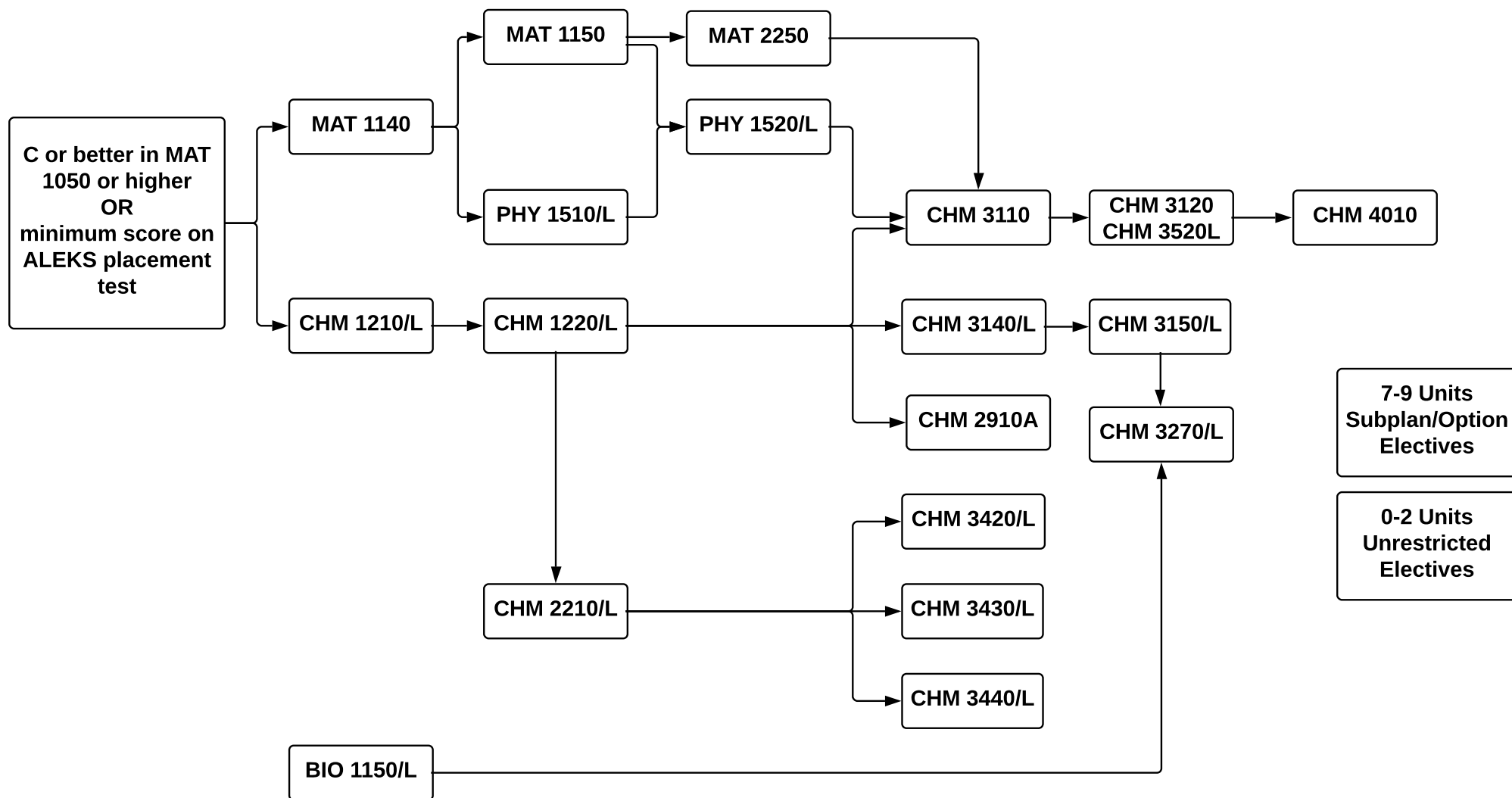
32-34 Major Electives

**15 Units Lower
Division Elective
Courses**

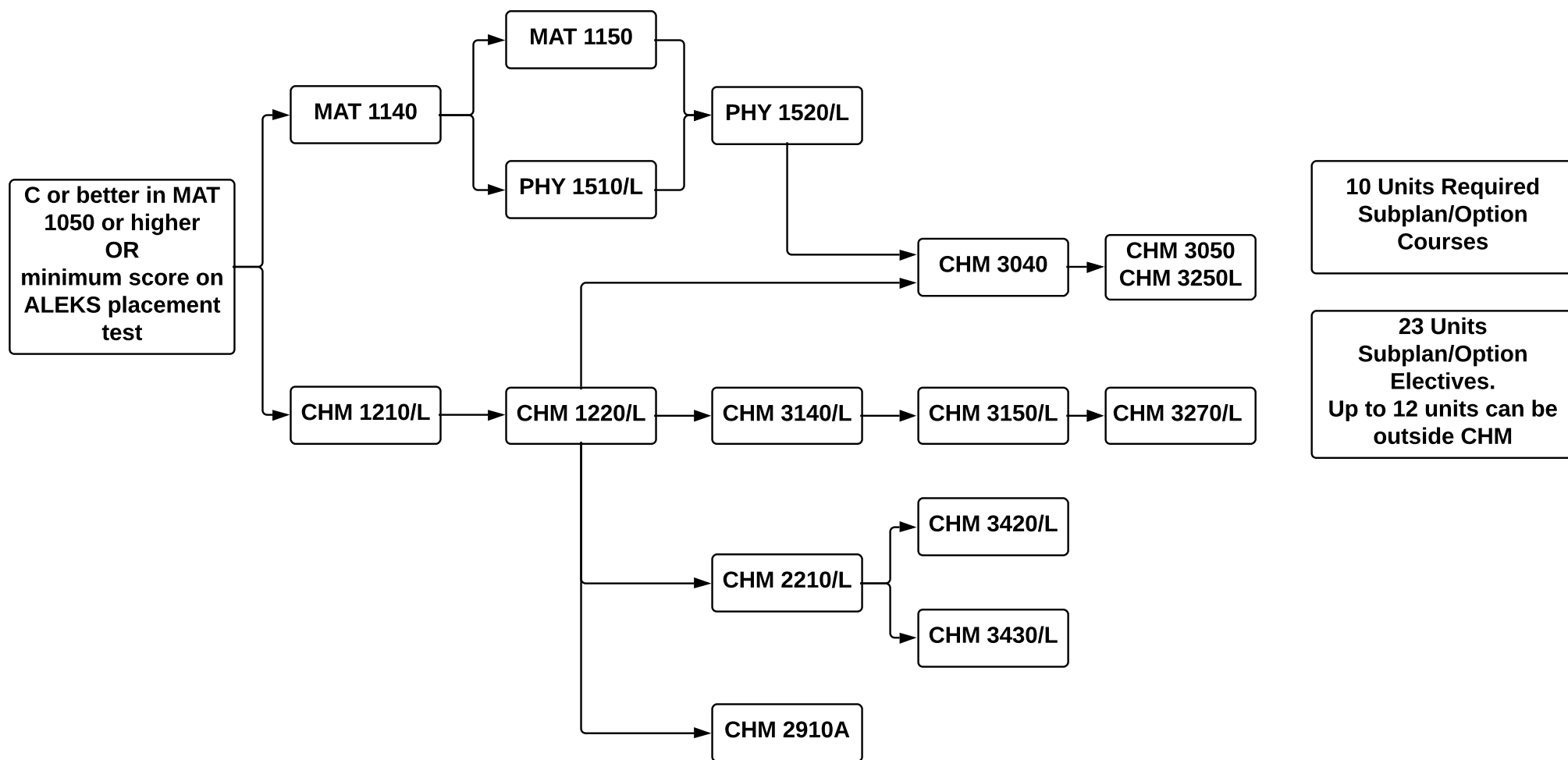
**17-19 Units Upper
Division Emphasis
Elective Courses**

**0-3 Units Unrestricted
Electives**

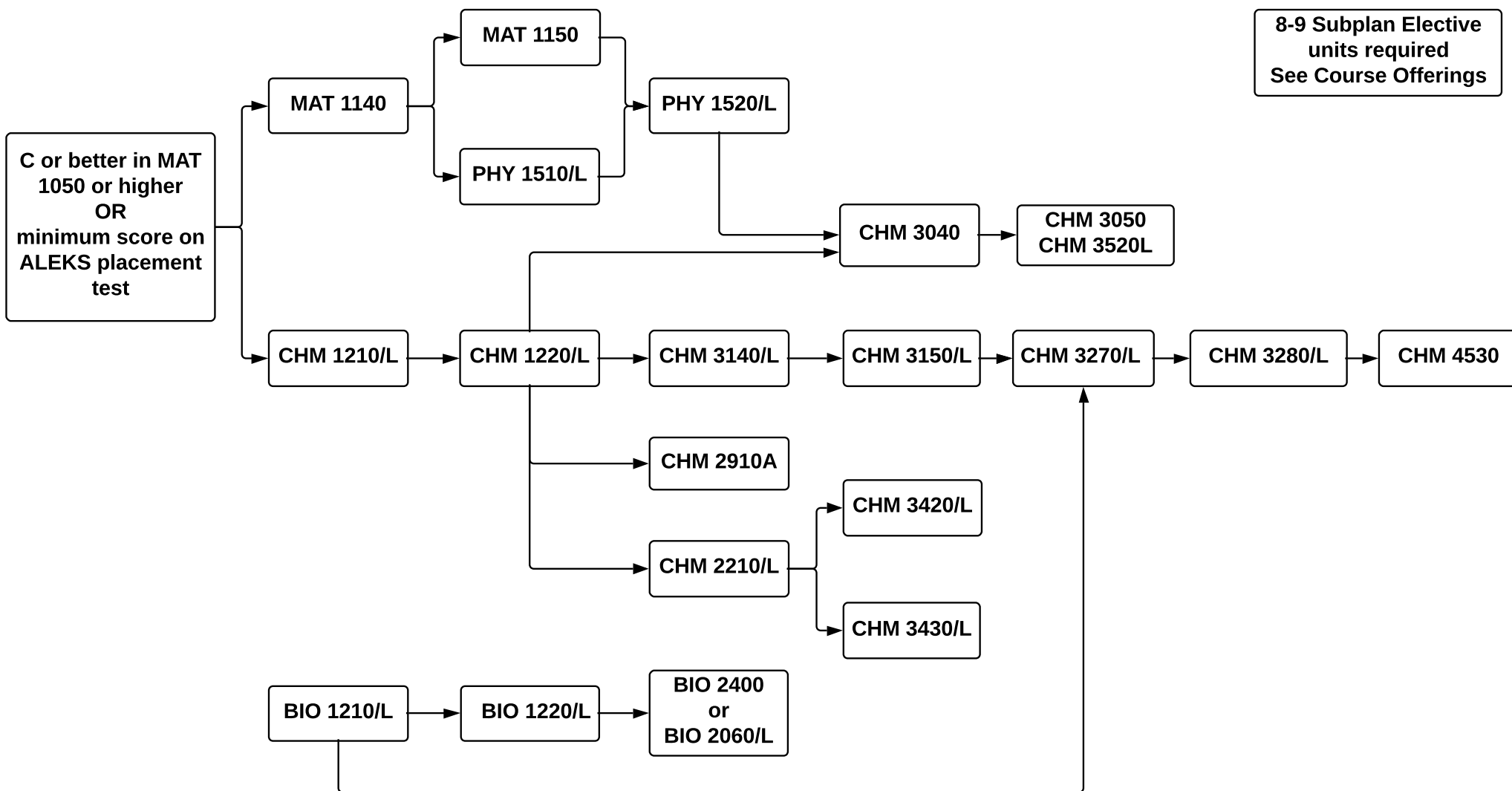
Chemistry: ACS



Chemistry: General

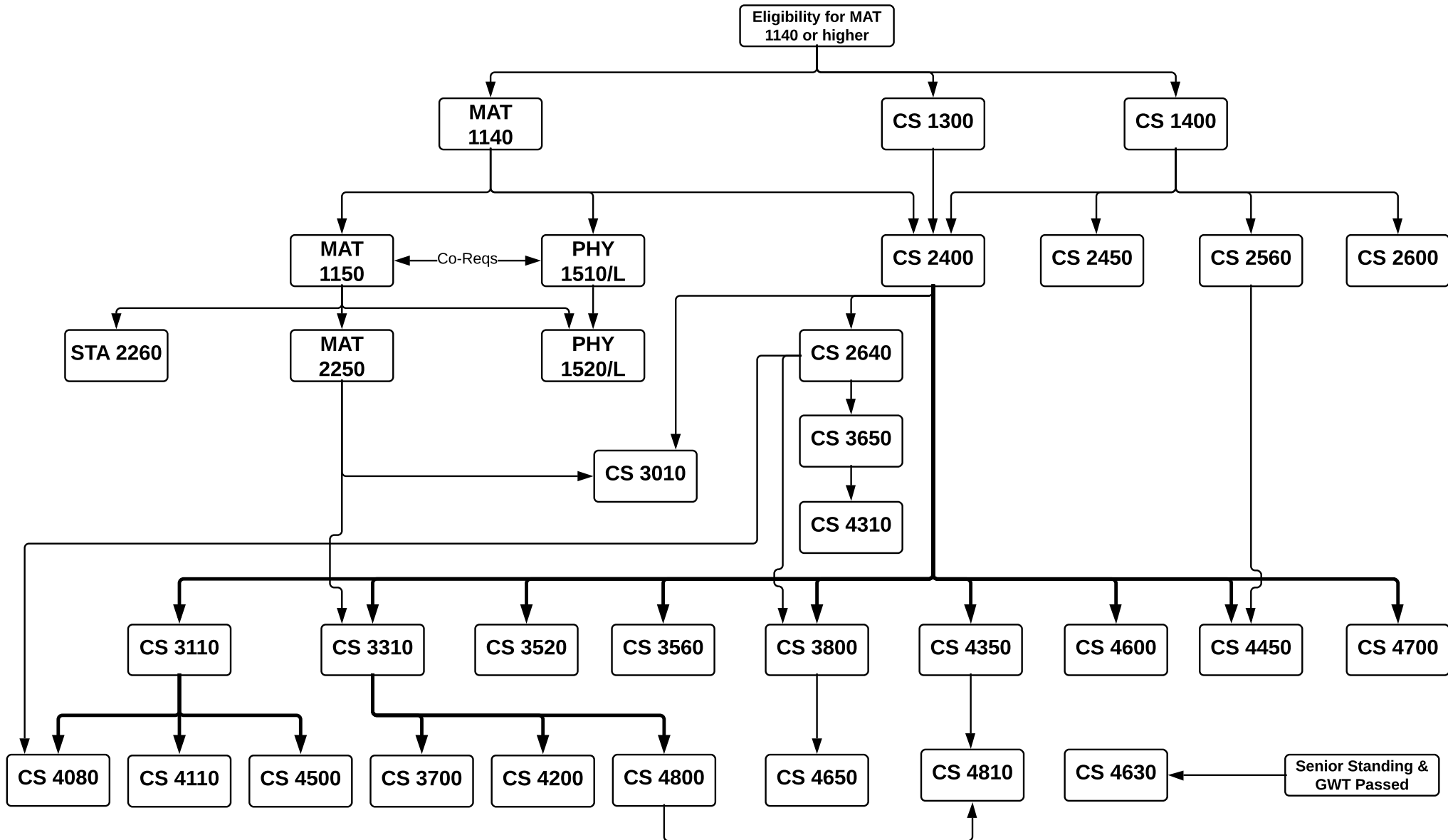


Chemistry: Biochemistry

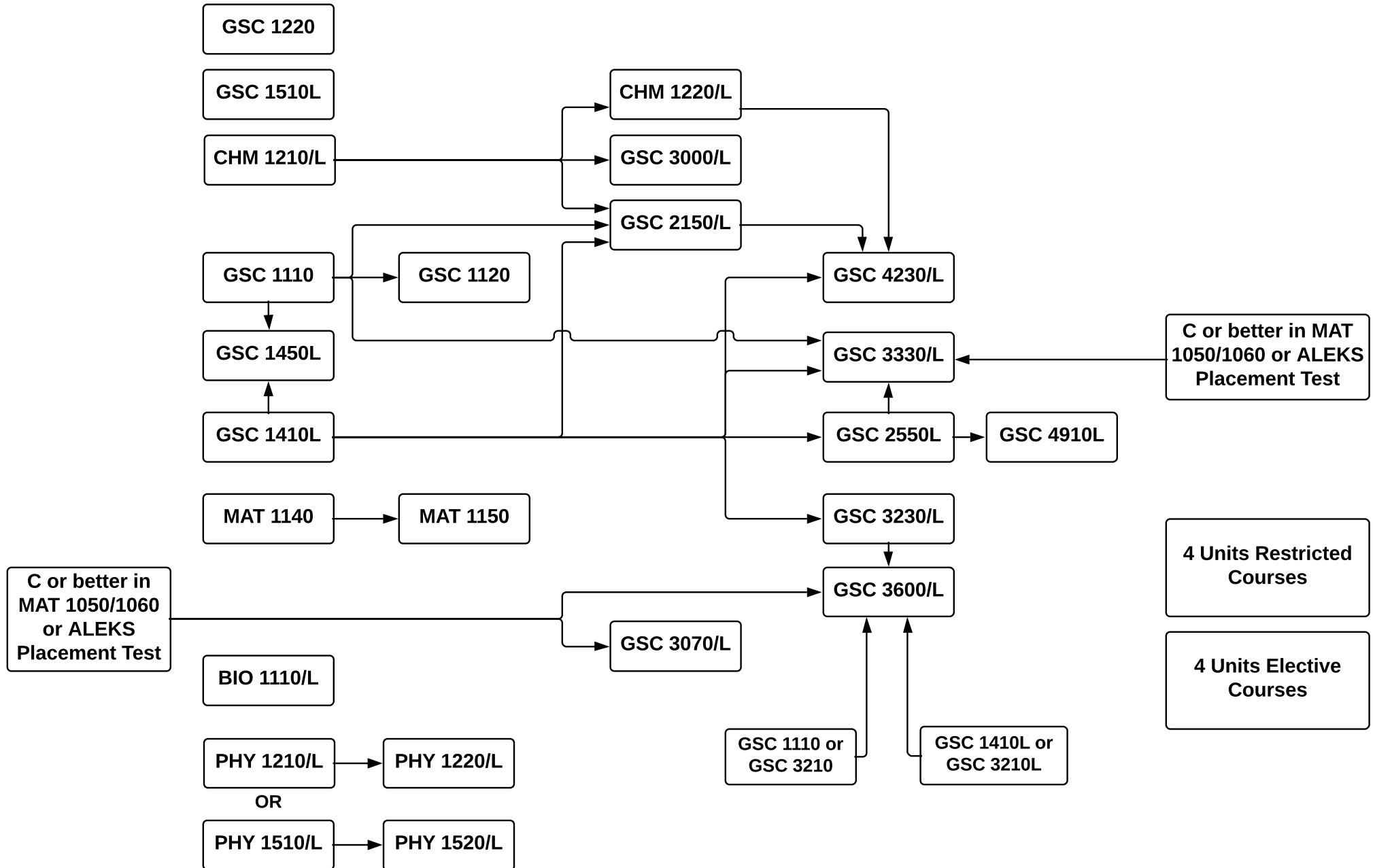


8-9 Subplan Elective
 units required
 See Course Offerings

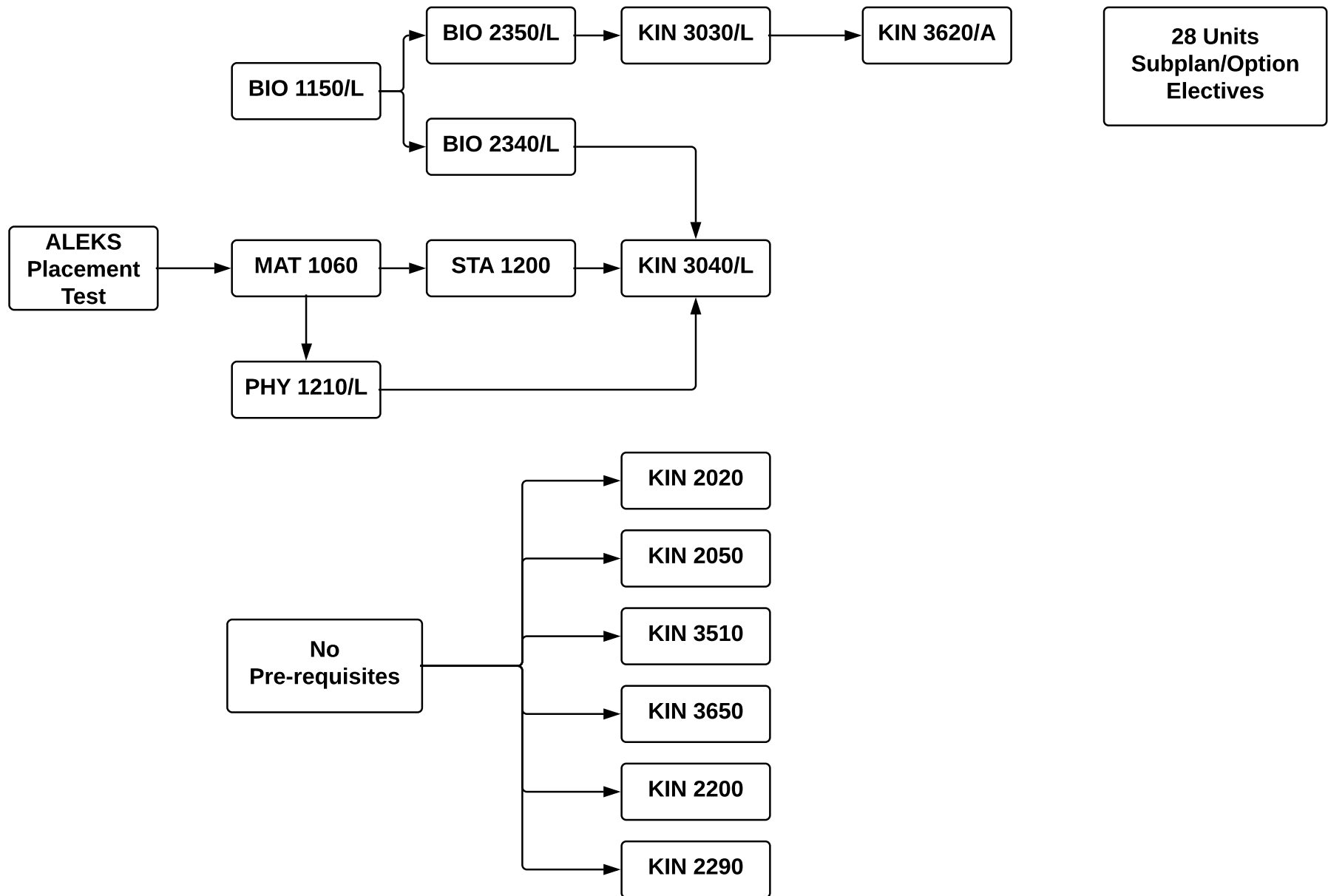
Computer Science



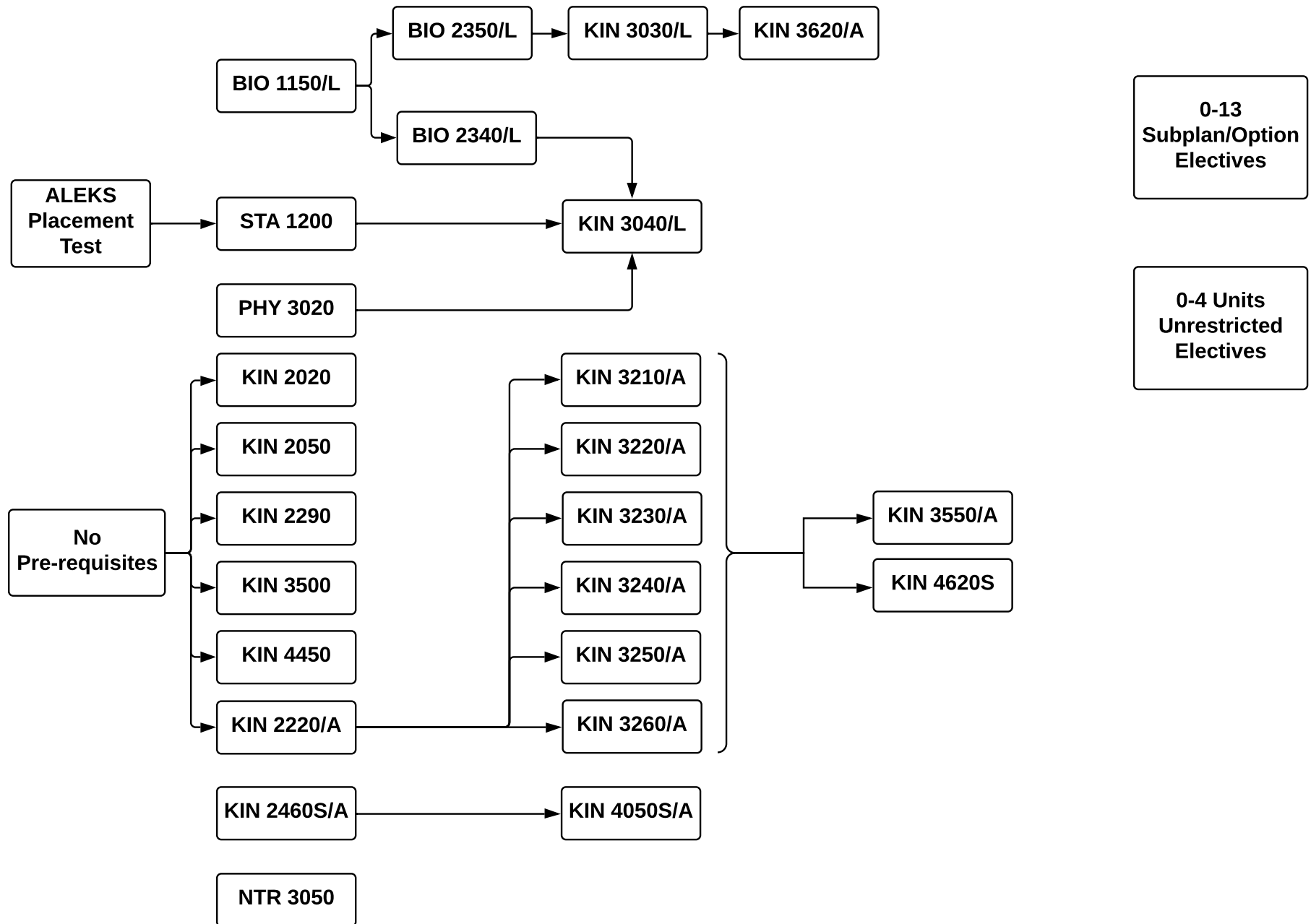
Geological Sciences



Kinesiology: General

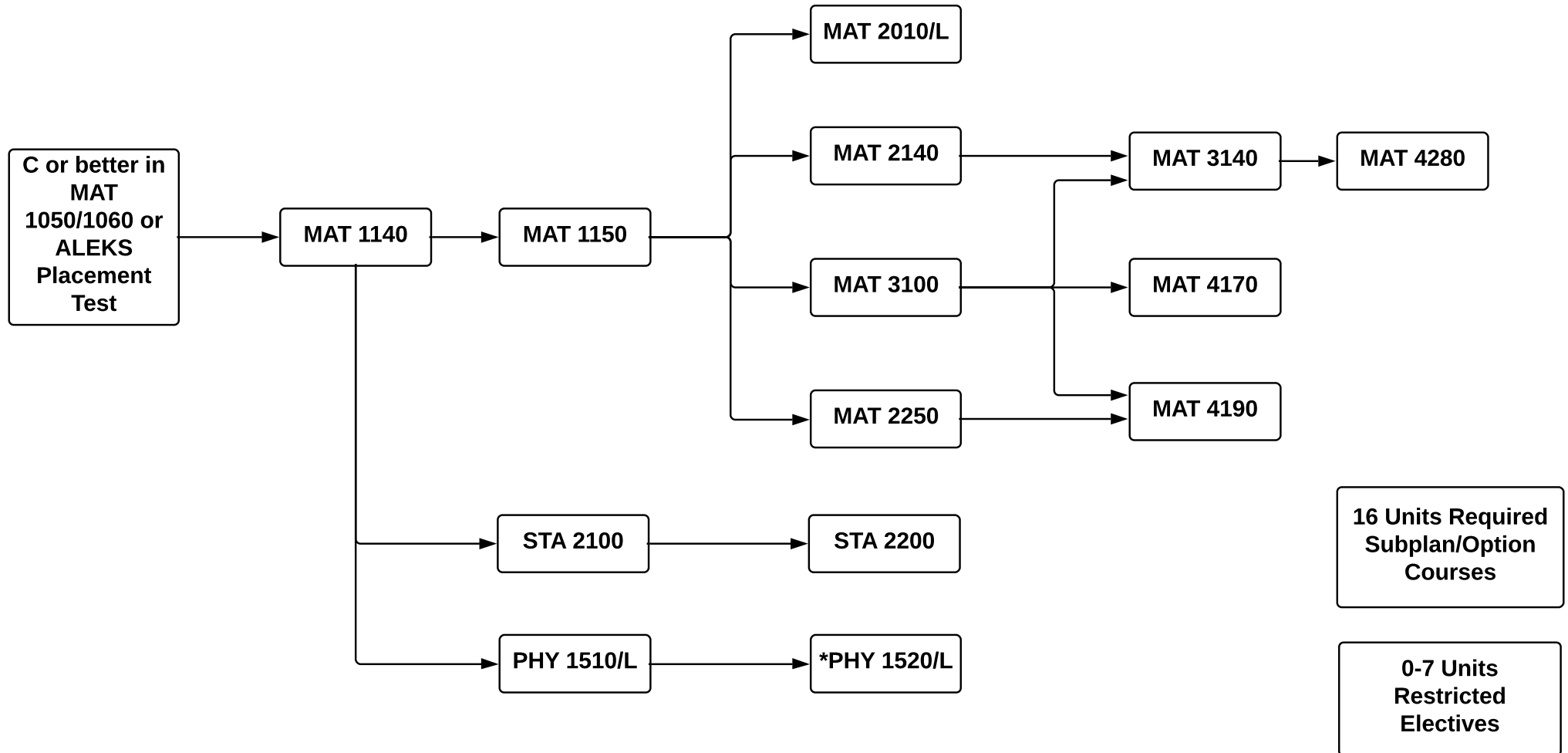


Kinesiology: Pedagogy



Mathematics

All Options

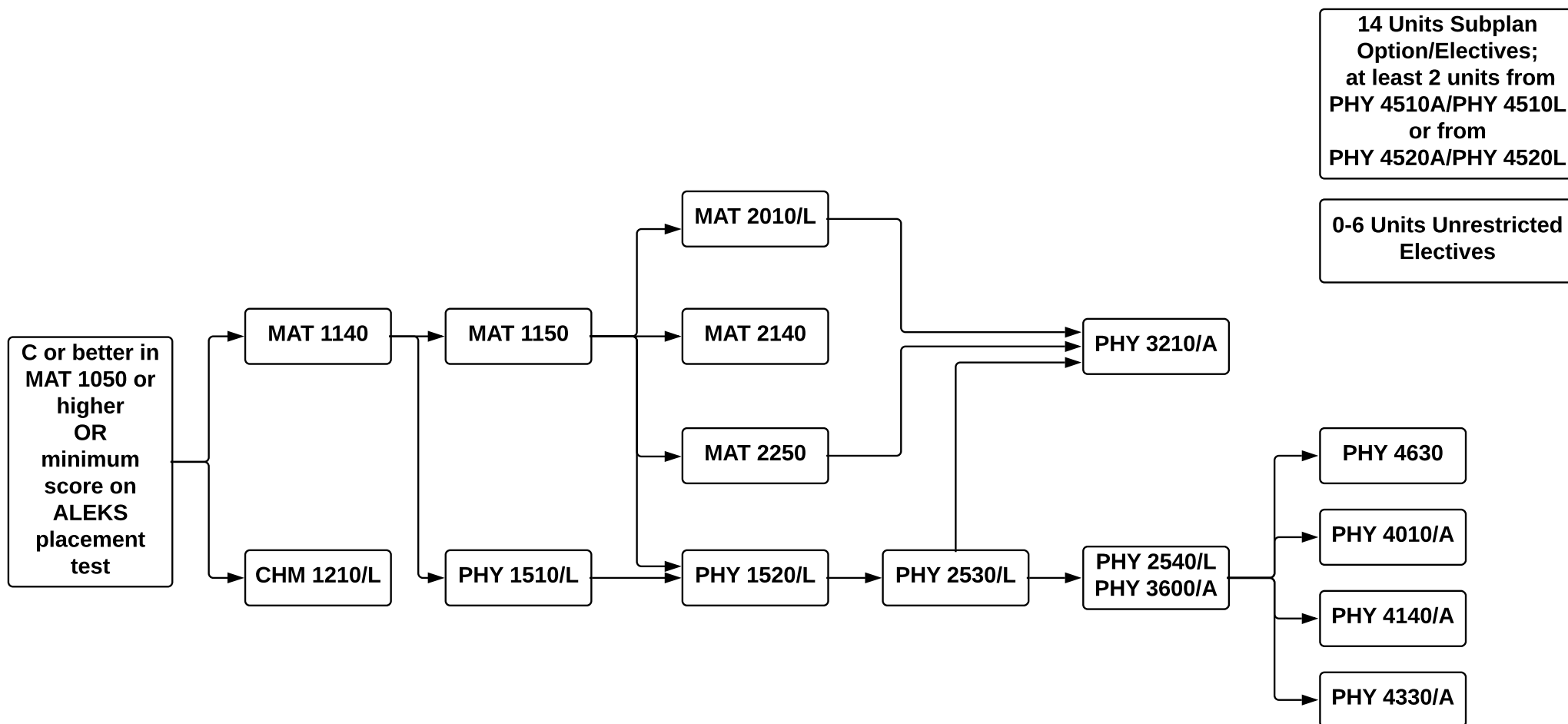


* If student takes BIO 1210/L and BIO 1220/L, then PHY 1520/L is not required. Recommended for students who are interested in biostatistics or mathematical biology.

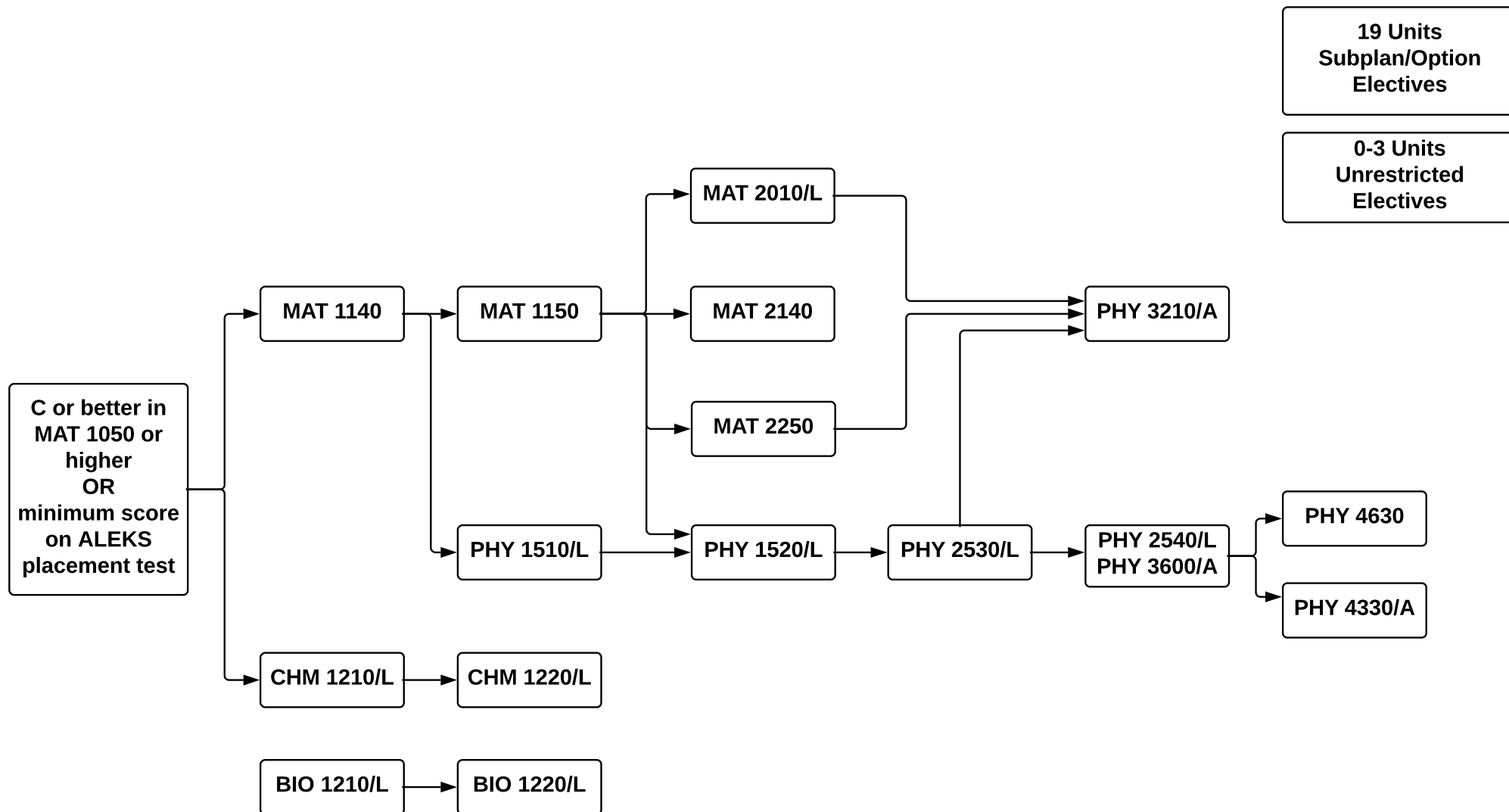
16 Units Required
 Subplan/Option
 Courses

0-7 Units
 Restricted
 Electives

Physics: General



Physics: Biophysics



Physics: Integrated Science

