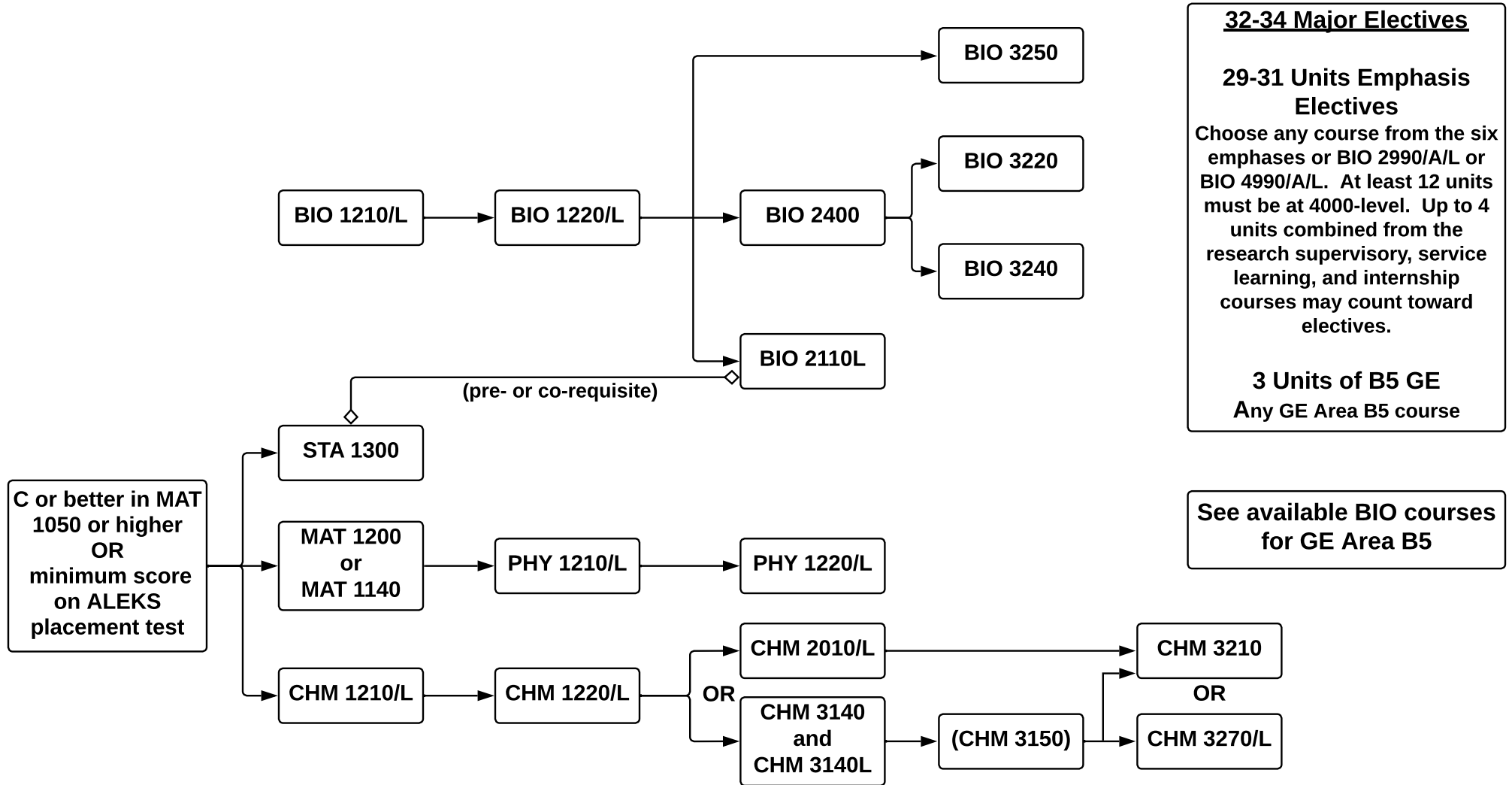


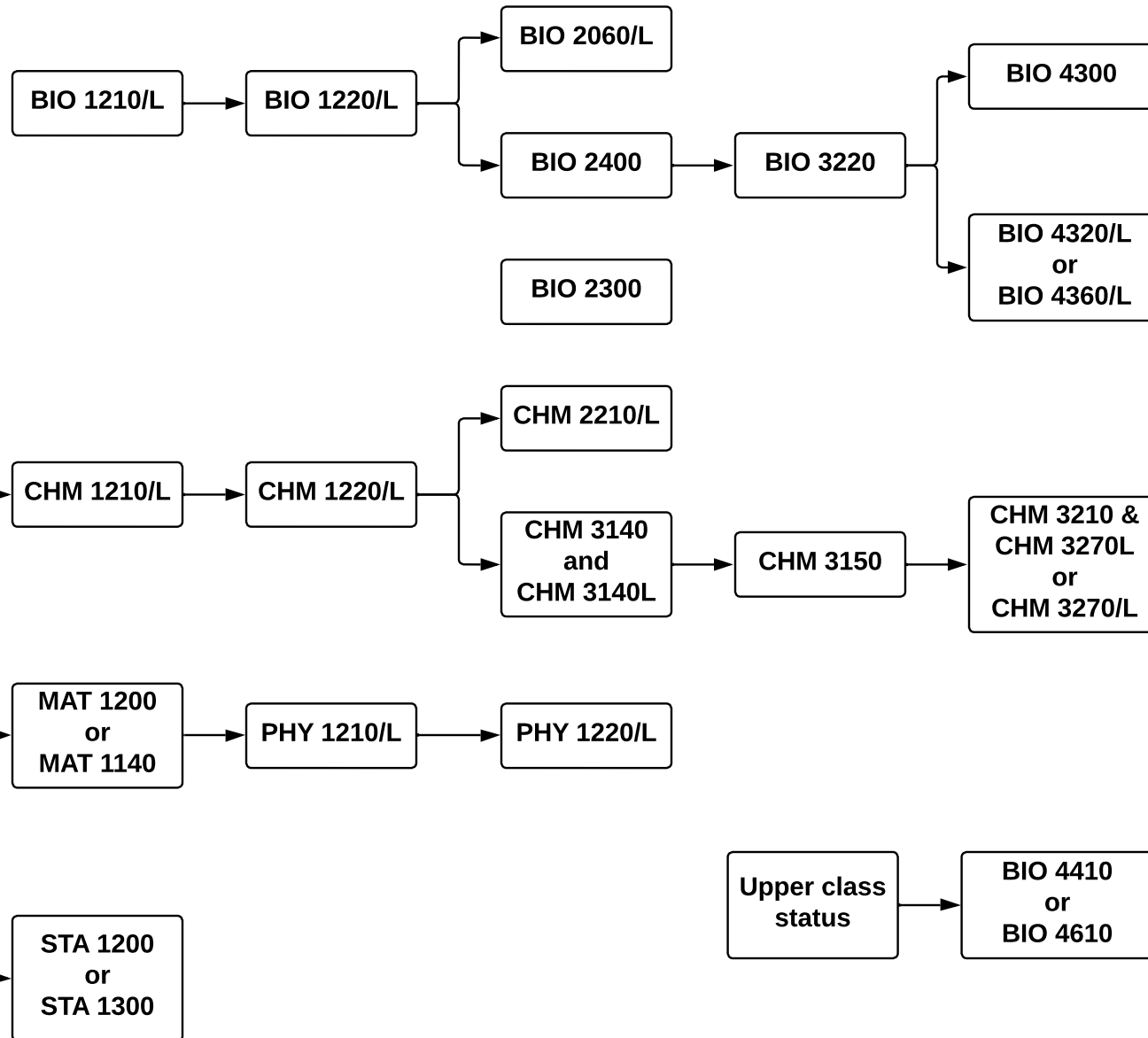
2023-2024
College of Science
Flow Charts



General Biology



Biotechnology

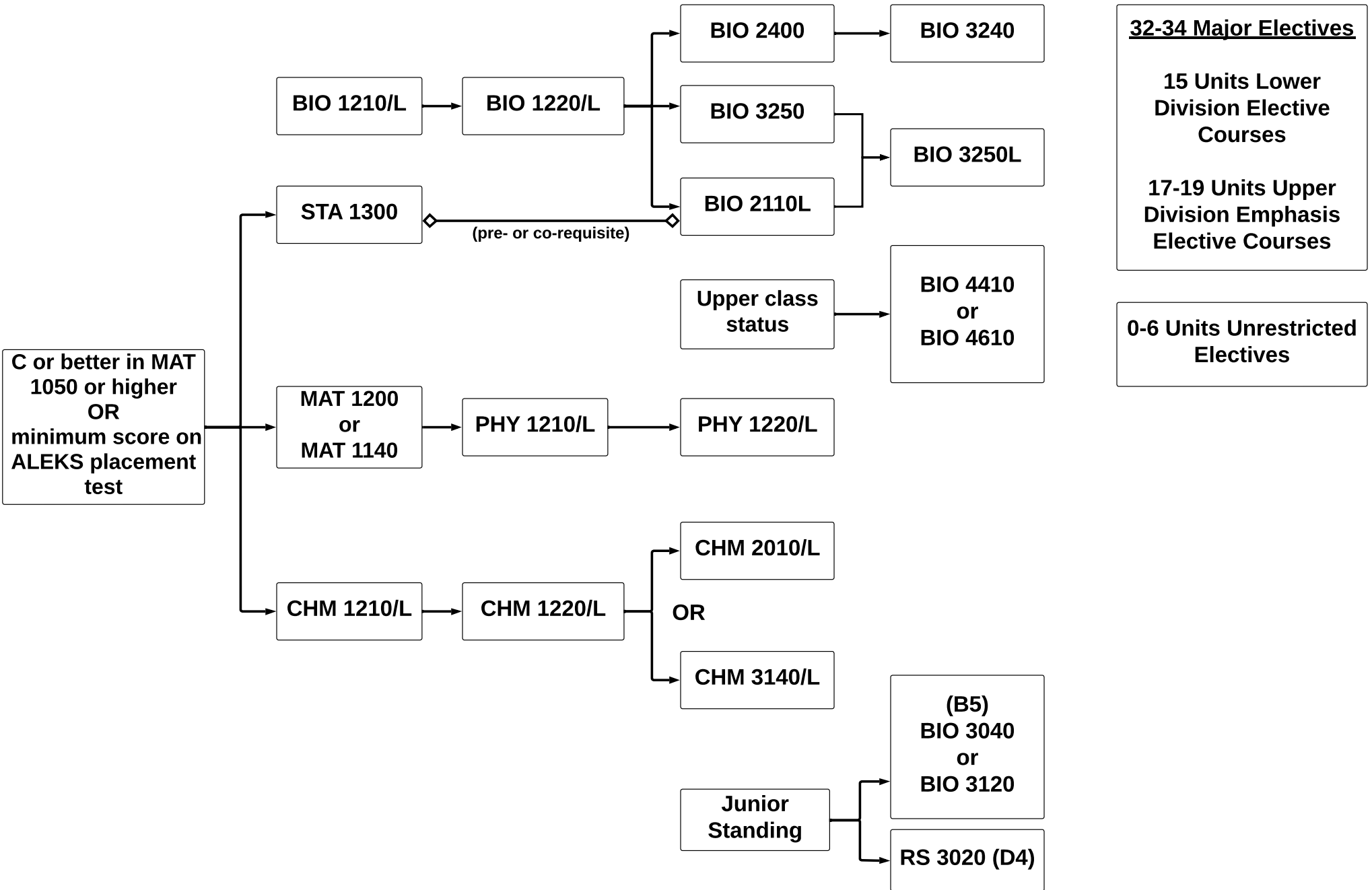


15-16 Units Elective Core Courses

Choose any course from the five emphases & up to 3 units combined from the unused BIO 4410/4610, BIO 4000, or BIO 4620.

See available BIO courses for GE Area B5

Environmental Biology



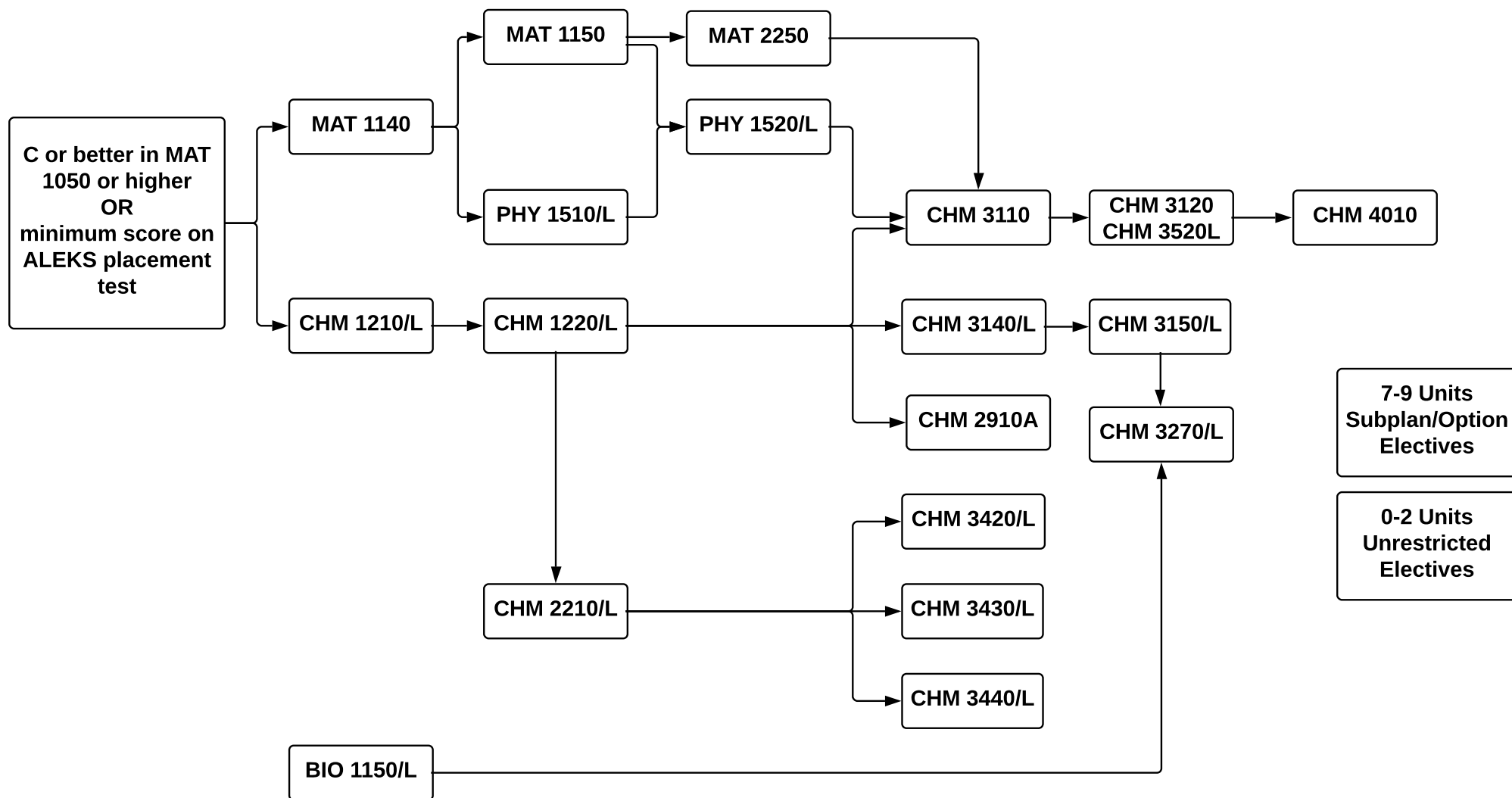
32-34 Major Electives

15 Units Lower Division Elective Courses

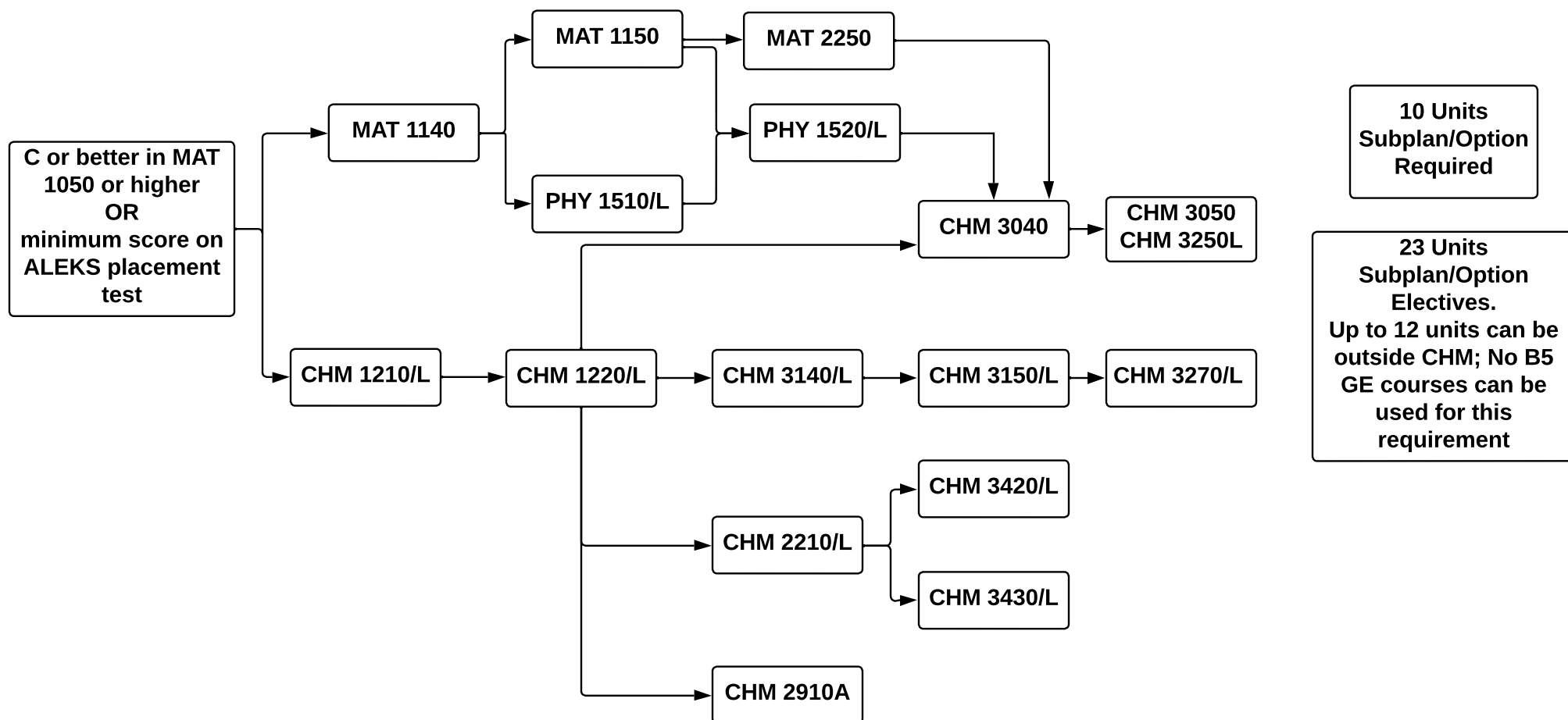
17-19 Units Upper Division Emphasis Elective Courses

0-6 Units Unrestricted Electives

Chemistry: ACS



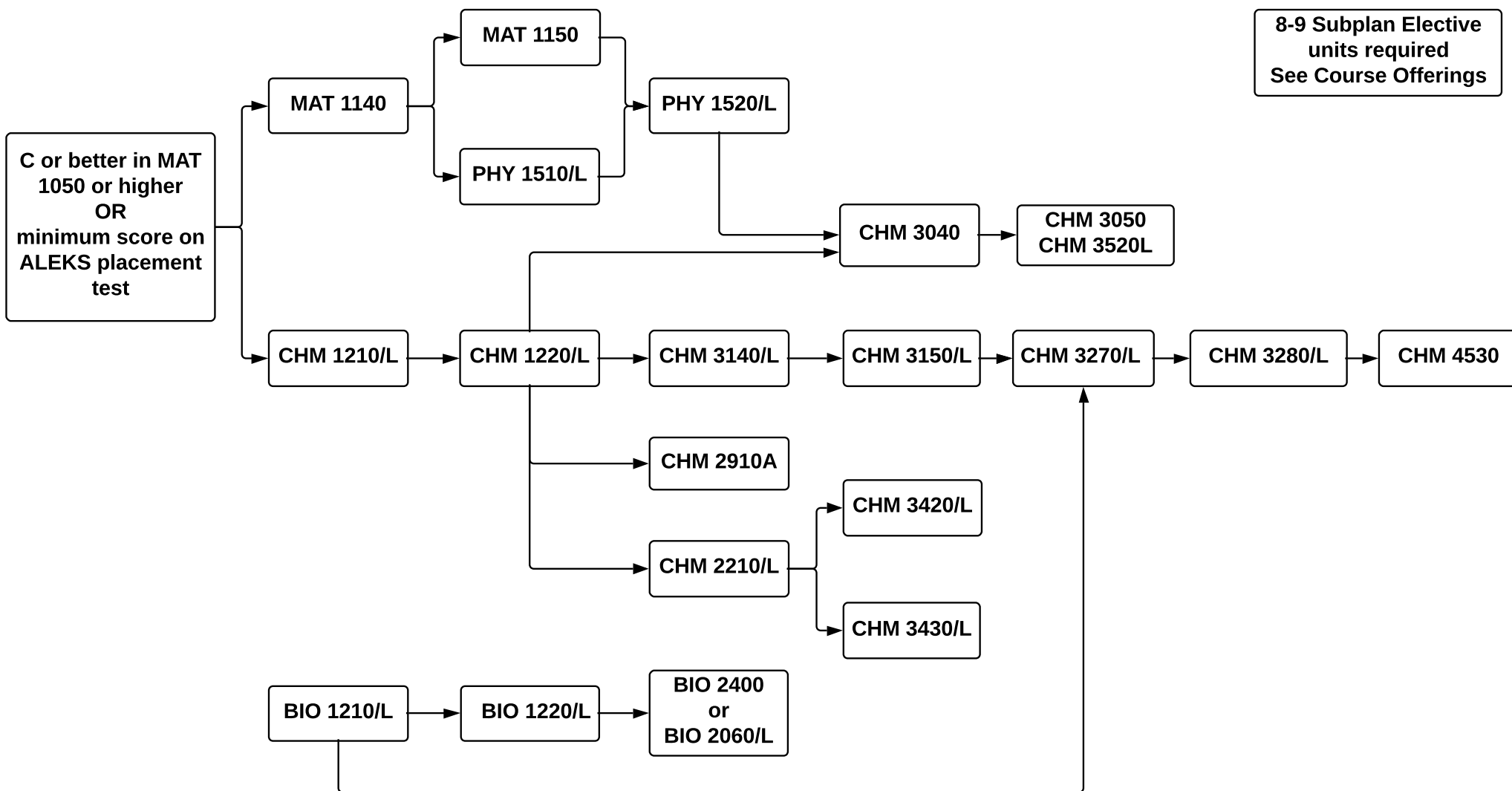
Chemistry: General



**10 Units
 Subplan/Option
 Required**

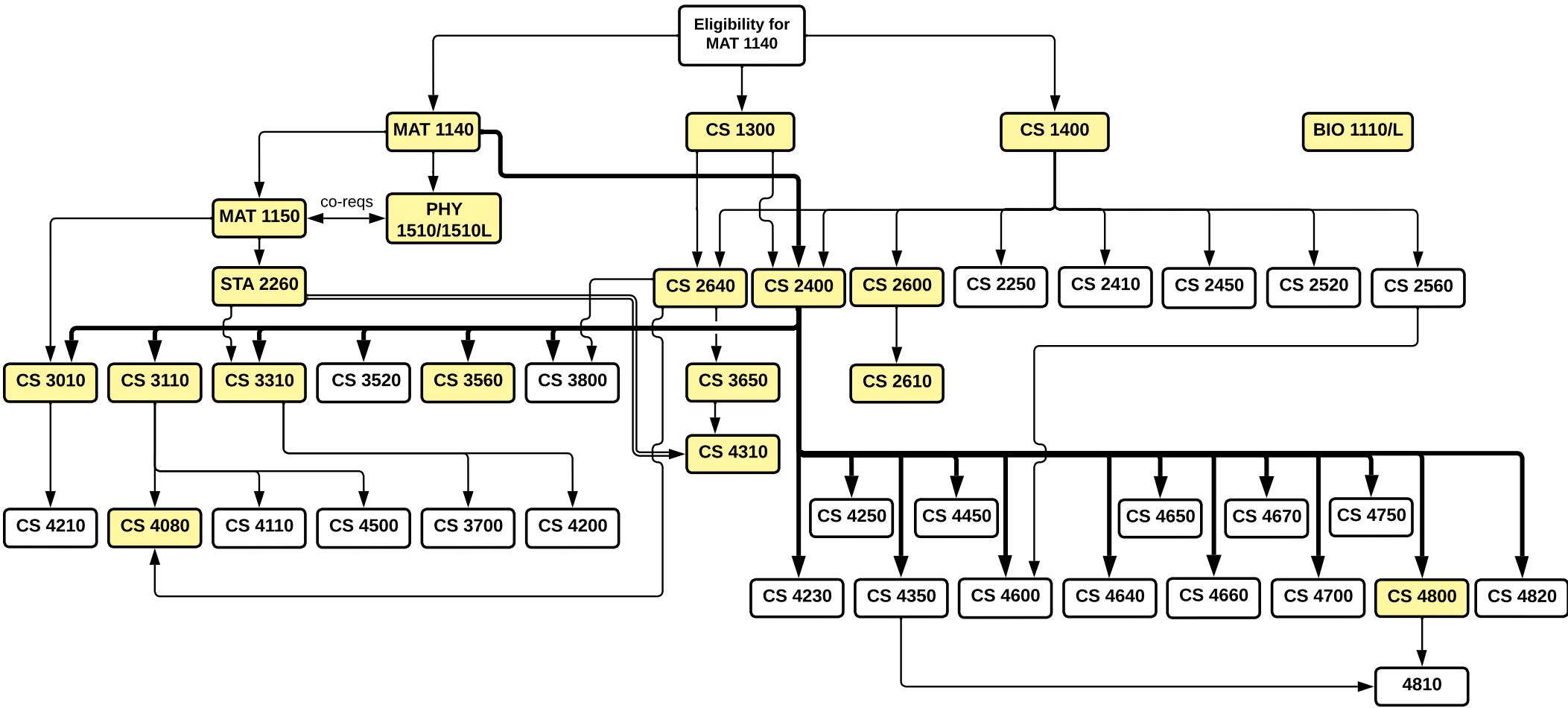
**23 Units
 Subplan/Option
 Electives.
 Up to 12 units can be
 outside CHM; No B5
 GE courses can be
 used for this
 requirement**

Chemistry: Biochemistry



8-9 Subplan Elective units required
 See Course Offerings

Computer Science



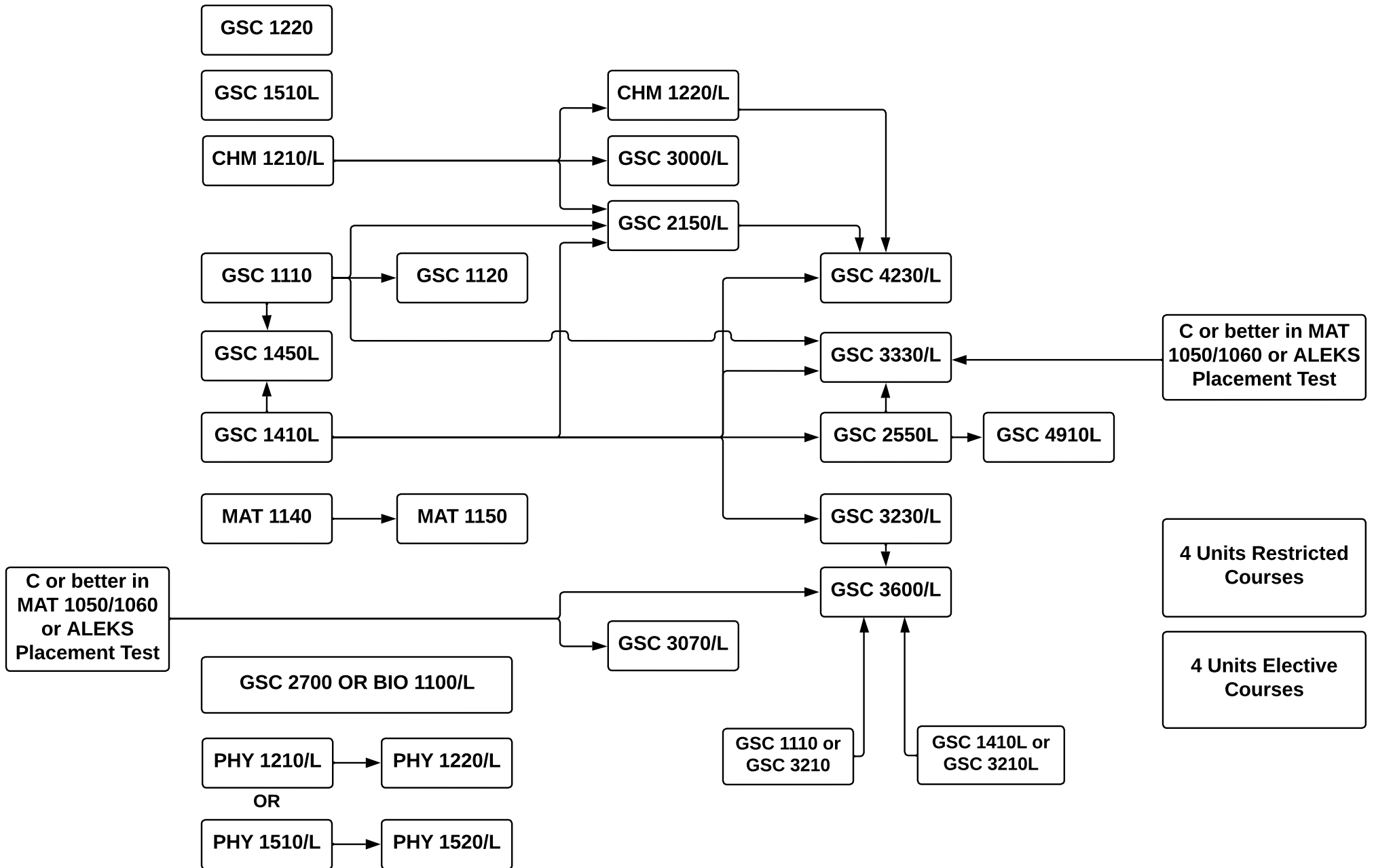
67 Major Units Required
 Highlighted by yellow boxes

17 Elective Units Required
 Elective courses to be chosen from among the white boxes

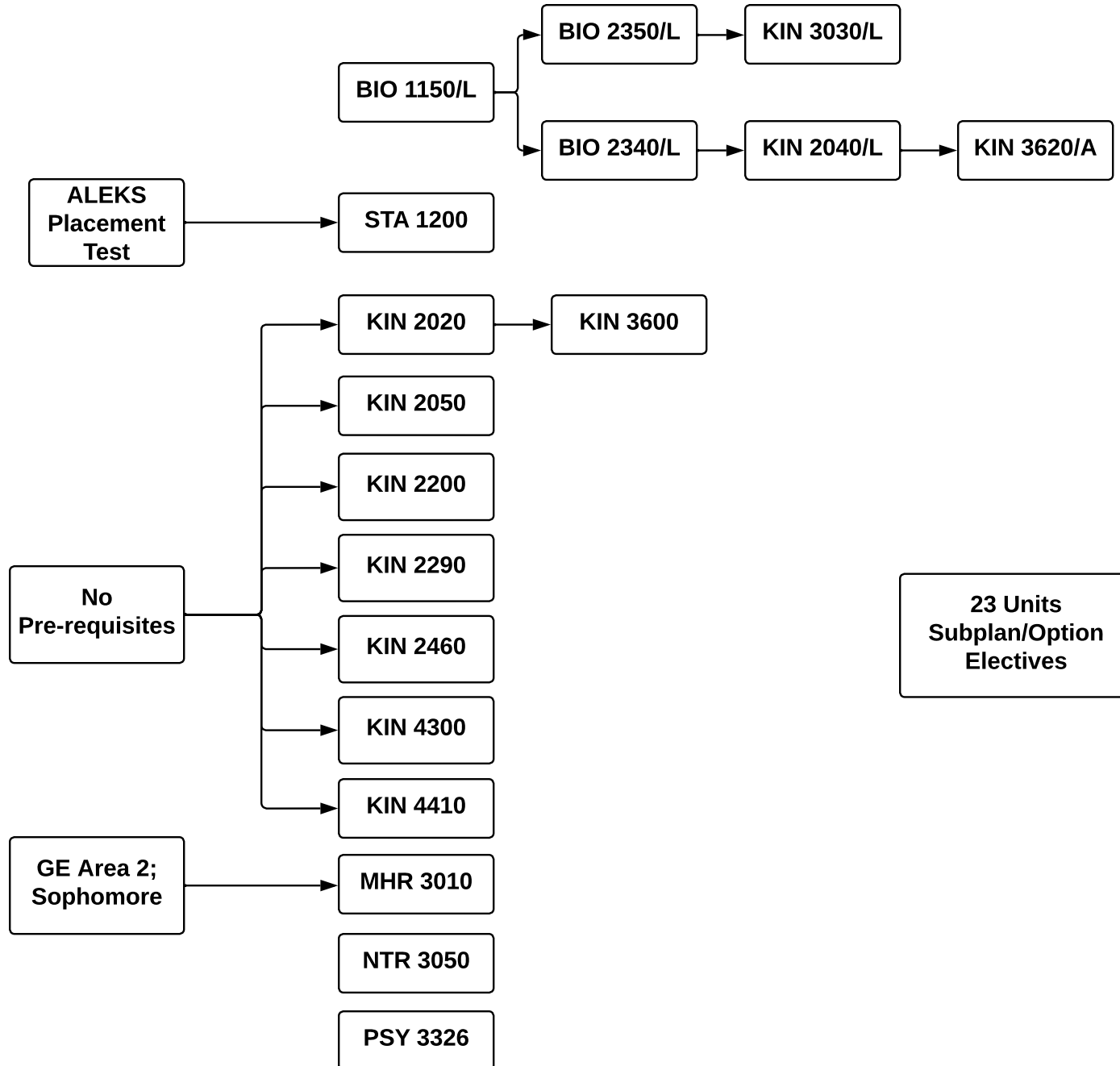
Junior or Senior Standing
 ↓
CS 3750

Senior Standing and GWT passed
 ↓
CS 4630

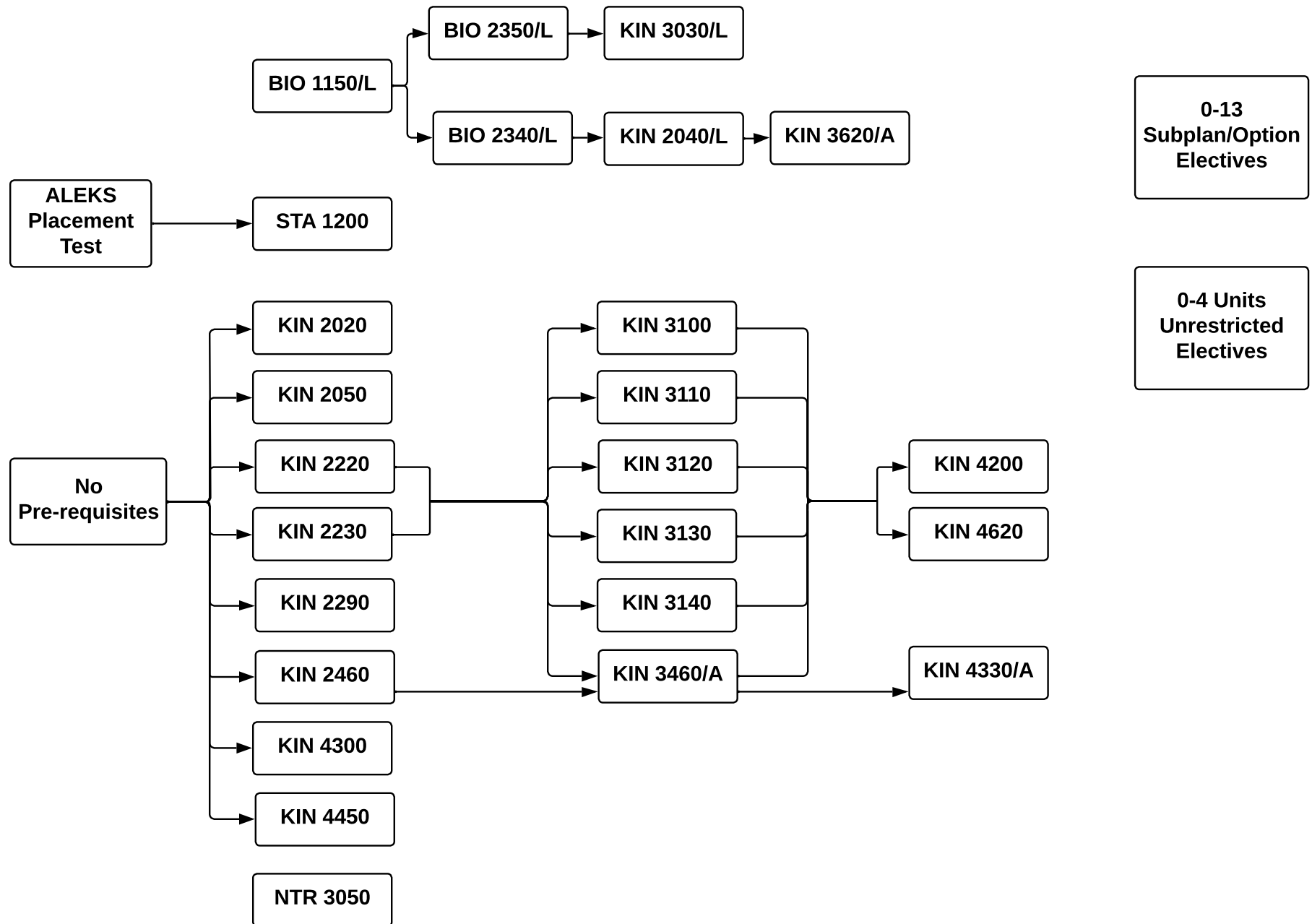
Geological Sciences



Kinesiology: General

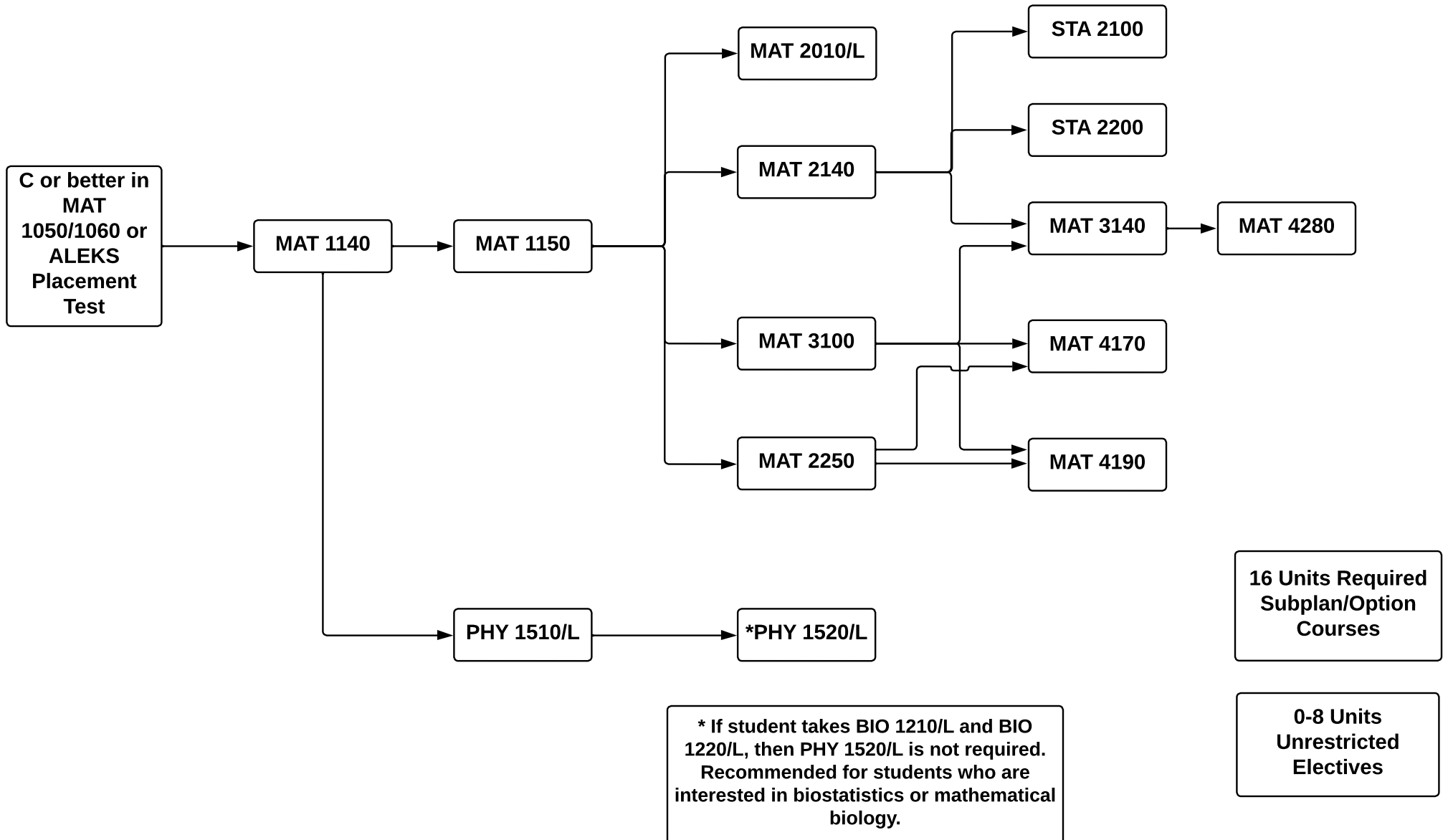


Kinesiology: Pedagogy



Mathematics

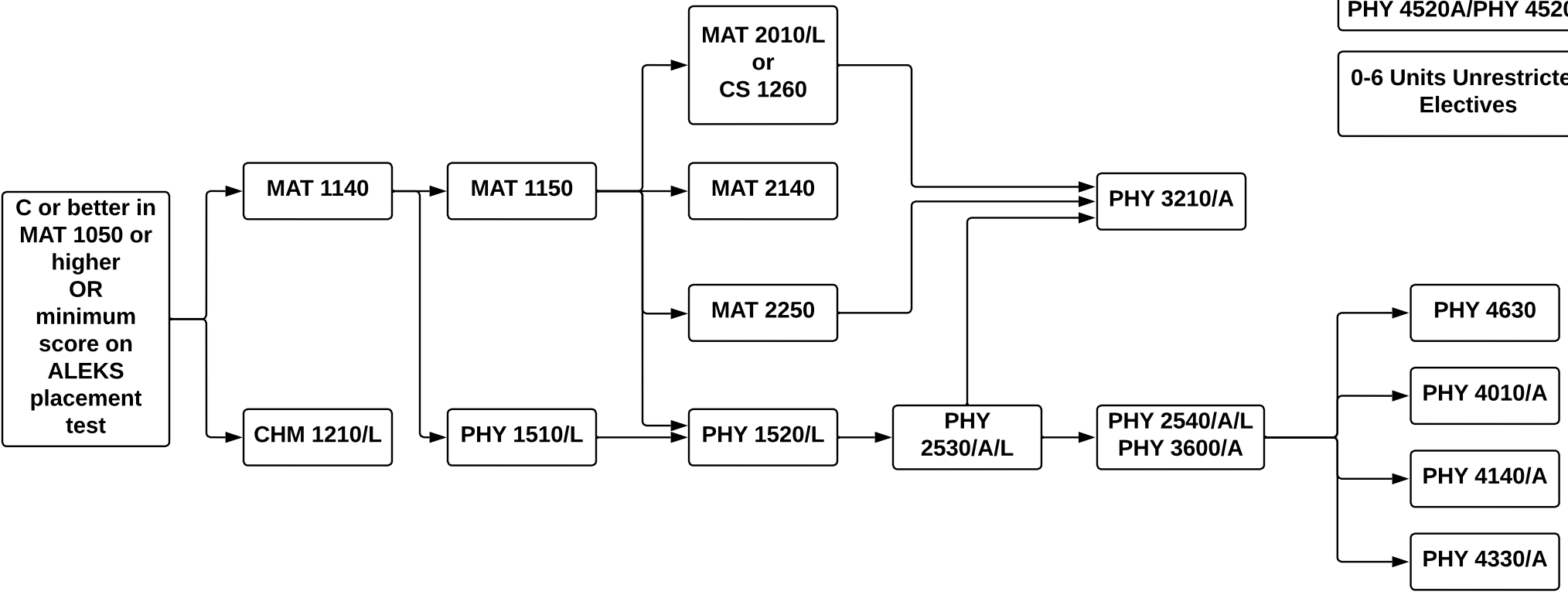
All Options



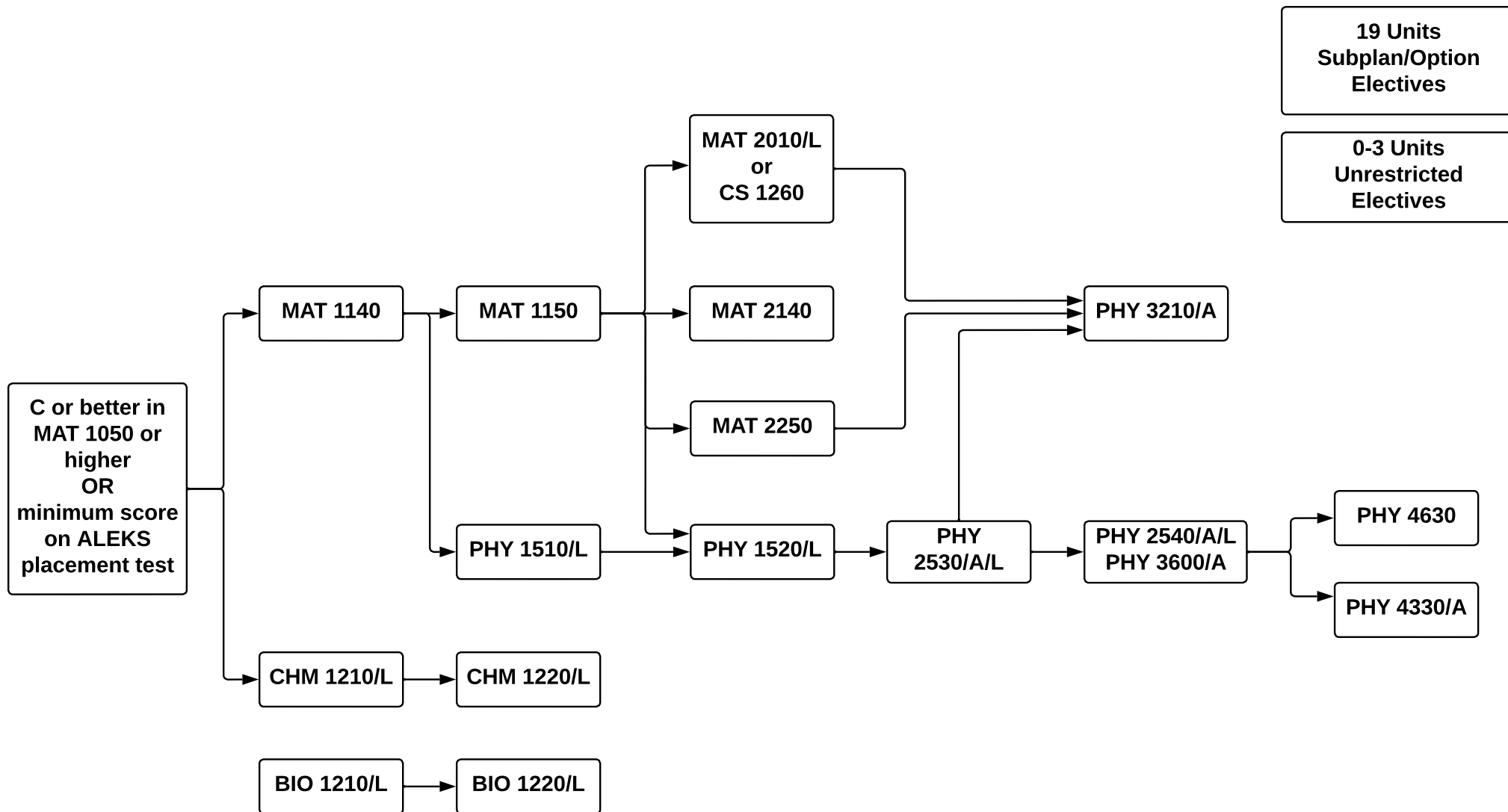
Physics: General

14 Units Subplan
 Option/Electives;
 at least 2 units from
 PHY 4510A/PHY 4510L
 or from
 PHY 4520A/PHY 4520L

0-6 Units Unrestricted
 Electives



Physics: Biophysics



Physics: Integrated Science

