



**California State Polytechnic University, Pomona
Degree Curriculum Sheet**

Plan (Major) INDUSTRIAL ENGINEERING
Subplan/Option _____

Catalog Year 2013-2014
Minimum Units Required 202

Name _____
Student ID _____

TGA _____
GWT Satisfied _____ Yes _____ No

Required Core Courses		
Course		Units
Project Design Principles and Applications	EGR 481	2
Project Design Principles and Applications	EGR 482	2
Fundamentals of Human Factors Engineering	IE 225/225L	3/1
Elements of Industrial Engineering Systems	IE 327/327L	3/1
Operations Research I	IE 416	4
Operations Research II	IE 417	4
Discrete Systems Simulation	IE 429/429L	3/1
Operations Planning & Control	IE 436/436L	2/1
Industrial & Manufacturing Engr Fundamentals	IME 112	3
Industrial & Manufacturing Engr Computations	IME 113/113L	2/1
Work Analysis & Design	IME 224/224L	3/1
Industrial Costs & Controls	IME 239	3
Application of Statistics	IME 301	3
Engineering Probability & Statistics	IME 312	3
Supply Chain Planning & Control	IME 326	3
Facilities Planning Layout & Design/Lab	IME 331/331L	3/1
Quality Control by Statistical Methods	IME 415/415L	3/1
Senior Project	IME 460	1
Senior Project	EGR 481 or IME 461 or IME 471	2
Senior Project	EGR 482 or IME 462 or IME 472	2-3
Analytic Geometry Calculus II	MAT 115	4
Analytic Geometry Calculus III	MAT 116	4
Calculus of Several Variables I	MAT 214	3
Calculus of Several Variables II	MAT 215	3
Elem Linear Algebra and Diff Equations	MAT 224	4
Engineering Graphics	MFE 126/126L	2/1
Manufacturing Systems Processes	MFE 201/201L	3/1
Introduction to Computer Integrated Manuf	MFE 450/450L	3/1
General Physics	PHY 132/132L	3/1
General Physics	PHY 133/133L	3/1
Total Units		99- 100

Elective Core Courses	
Course	Units
Industrial Engineering Electives**	8
**Select from approved list.	
Total Units	8

Required Support Courses		
Course		Units
General Chemistry	CHM 121	3
General Chemistry Lab (B3)	CHM 121L	1
General Chemistry	CHM 122/122L	3/1
Principles of Economics (D2)	EC 201	4
or Principles of Economics (D2)	EC 202	(4)
Elements of Electrical Engineering	ECE 231/231L	3/1
Ethical Considerations in Tech Science (C4)	EGR 402	4
Asset Allocation in Tech Decision (D4)	EGR 403	4
Analytic Geometry/Calculus I (B4)	MAT 114	4
Vector Statics	ME 214	3
Strength of Materials	ME 218	3
Materials Science & Engineering	MTE 207	3
General Physics (B1, B3)	PHY 131/131L	3/1
Total Units		41

Elective Support Courses	
Course	Units
Engineering Science Electives	7
Total Units	7

General Education Requirements		IGE (G.E. Alternative)
Area	Units	
Area A Communication & Critical Thinking	12	IGE 120 4 IGE 121 4 IGE 122 4 IGE 220 4
1 Oral Communication		
2 Written Communication		
3 Critical Thinking		
Area B Mathematics & Natural Sciences	16	IGE 221 4 IGE 222 4 IGE 223 4 or EC 201 or EC 202
<i>Select at least one lab course from sub-area 1 or 2.</i>		
1 Physical Science		
2 Biological Science		
3 Laboratory Activity		
4 Math/Quantitative Reasoning		IGE 224 4
5 Science and Technology Synthesis		Area A1 4
Area C Humanities	16	Area A3 4 Area B 16
1 Visual and Performing Arts		
2 Philosophy and Civilization		Area C1, C2, or C3 4
3 Literature and Foreign Language		Area C4 4
4 Humanities Synthesis		Area D4 4
Area D Social Sciences	20	
1 U.S. History, Constitution, American Ideals		
2 History, Economics and Political Science		
3 Sociology, Anthropology, Ethnic & Gender Studies		
4 Social Science Synthesis		
Area E Lifelong Understanding & Self Development	4	See University Catalog for infor- mation on how IGE meets G.E. requirements.
Total Units	68	

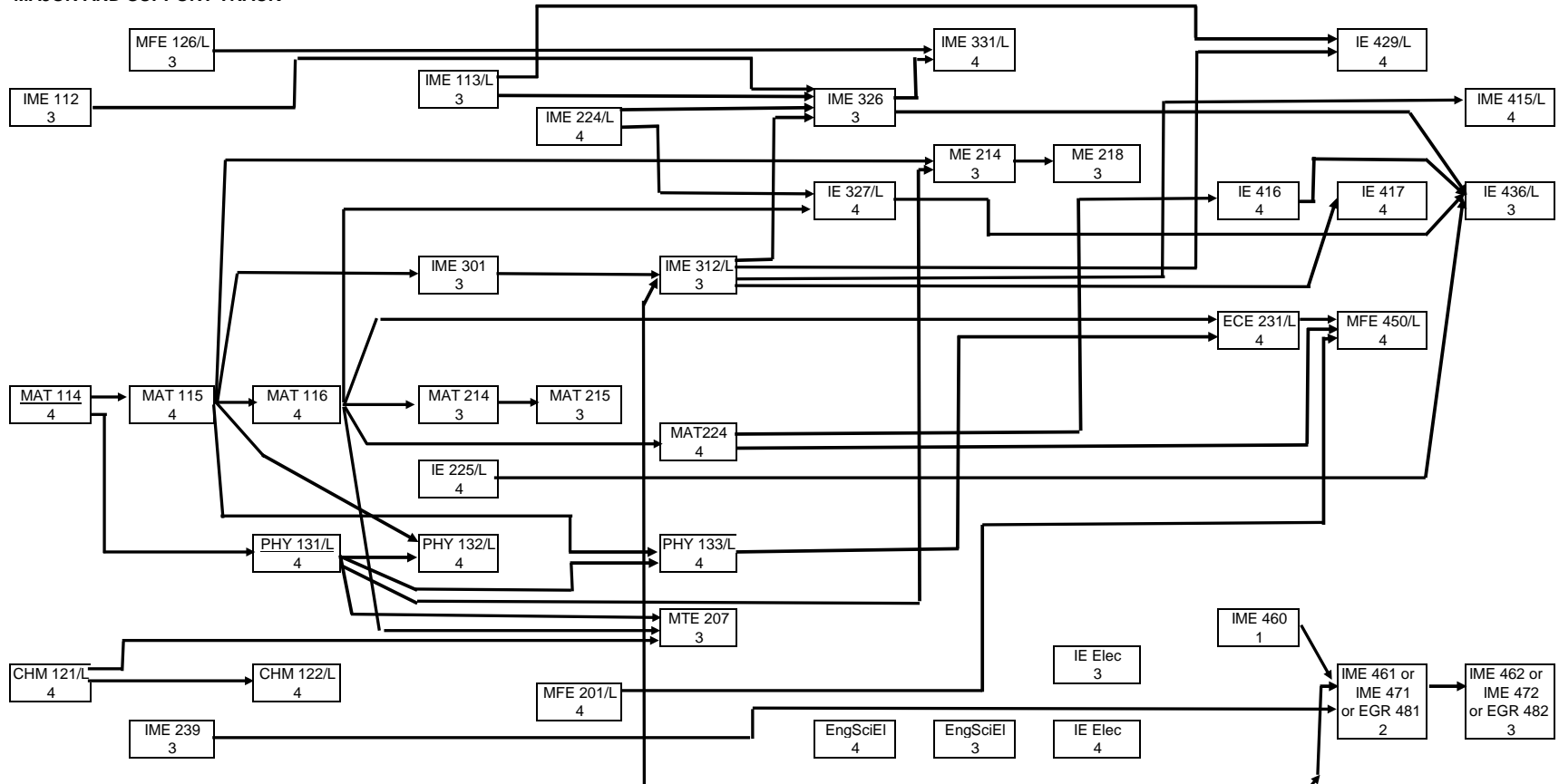
American Institutions	Units
Courses that satisfy this requirement may also satisfy G.E. Area D1	8

American Cultural Perspectives Requirement	Units
Refer to catalog for list of courses that satisfy this requirement. Course may also satisfy major, minor, GE, or unrestricted elective requirements.	4

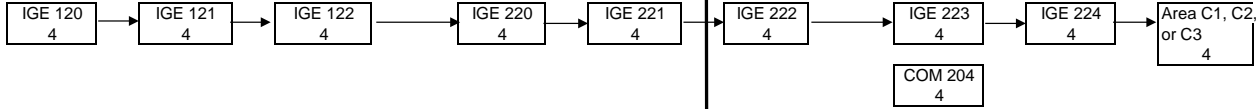
The following required support courses should be taken to satisfy the indicated GE Requirements to achieve the minimum units to degree listed at the top of this sheet.		
Course		GE Area
General Physics	PHY 131/131L	B1, B3
and General Chemistry Lab	CHM 121L	B3
Analytic Geometry/Calculus I	MAT 114	B4
Ethical Considerations in Tech. & Applied Science	EGR 402	C4
Principles of Economics	EC 201 or 202	D2
Asset Allocation in Tech Decision Making	EGR 403	D4
The remaining GE requirements may be satisfied by any course approved for that area.		

No more than 105 community college quarter units or 36 extension credit quarter units may be applied toward a Bachelor's degree.
A minimum 2.0 cumulative GPA is required in core (including option) courses, Cal Poly Pomona courses, and overall work completed in order to receive a degree in this major.

MAJOR AND SUPPORT TRACK



GENERAL EDUCATION IGE TRACK



CLASSES NEEDED FOR BOTH STANDARD AND IGE TRACK

