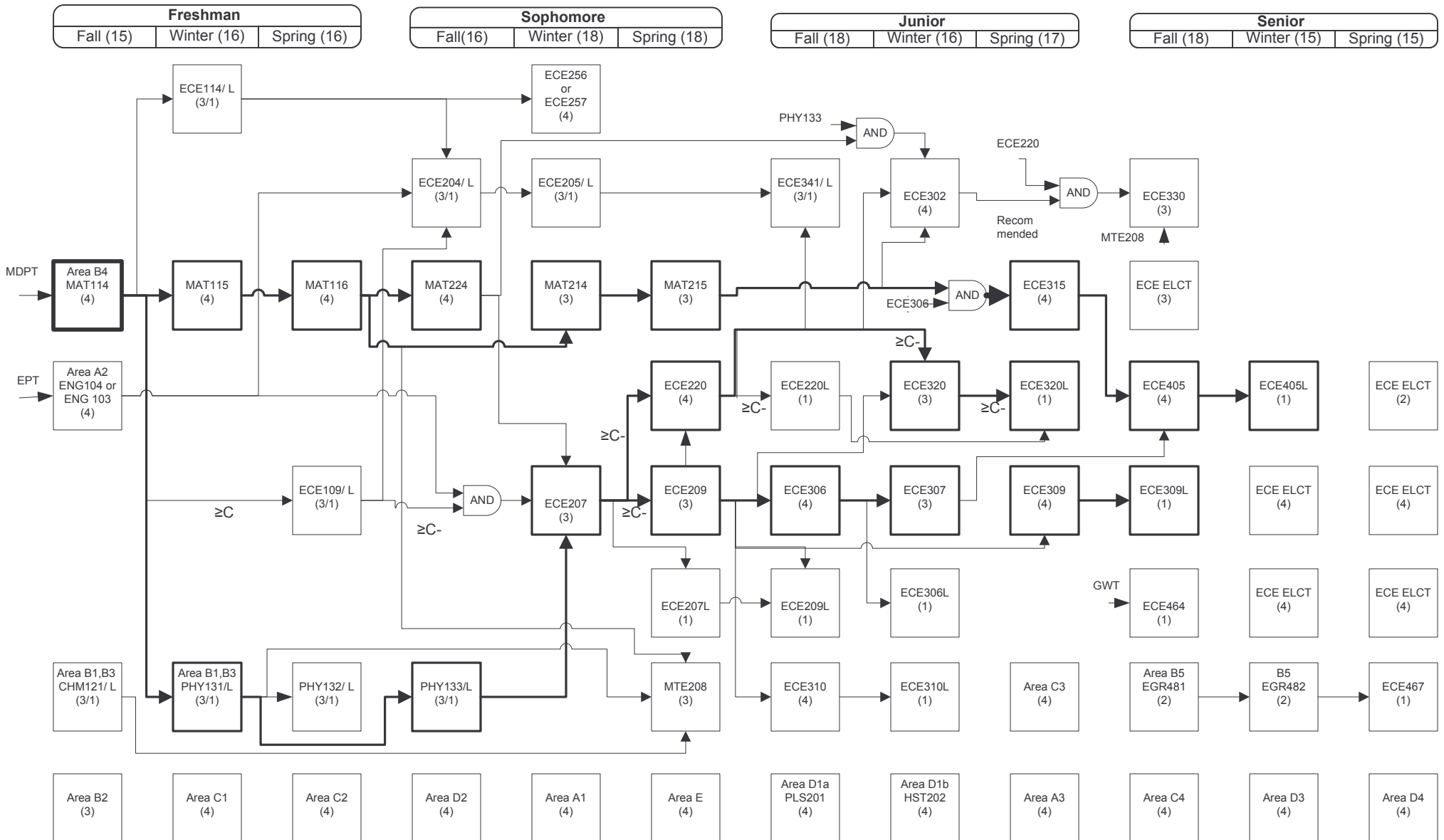


Electrical Engineering Curriculum Flow Chart

Year 2008/2009

Name: _____



BS Electrical Engineering degree requirements include 21 units of upper division electives, and:

- 1- If a course has an associated lab, both must be taken.
- 2- 12 of the 21 units must be 400 level courses