



**California State Polytechnic University, Pomona
Degree Curriculum Sheet**

Plan (Major) ELECTRICAL ENGINEERING
Subplan/Option _____

Catalog Year 2012-2013
Minimum Units Required 198

Name _____
Student ID _____

TGA _____
GWT Satisfied _____ Yes _____ No

Required Core Courses		
Course		Units
Introduction to Electrical Engineering	ECE 109/109L	3/1
C for Engineers	ECE 114/114L	3/1
Introduction to Combinational Logic	ECE 204/204L	3/1
Introduction to Sequential Logic	ECE 205/205L	3/1
Network Analysis I	ECE 207/207L	3/1
Network Analysis II	ECE 209/209L	3/1
Electronic Devices & Circuits	ECE 220/220L	4/1
Object-Oriented Programming	ECE 256	4
or Programming for Engineering Application	ECE 257	(4)
Electromagnetic Fields	ECE 302	4
Introduction Discrete Time Signals & Systems	ECE 306	4
Computer Simulation of Dynamic Systems Lab	ECE 306L	1
Network Analysis III	ECE 307	3
Control Systems Engineering	ECE 309/309L	4/1
Introduction to Power Engineering	ECE 310/310L	4/1
Prob, Stats, & Random Processes for ECE	ECE 315	4
Linear Active Circular Design	ECE 320/320L	3/1
Introduction to Semiconductor Devices	ECE 330	3
Introduction to Microcontrollers	ECE 341/341L	3/1
Communications Systems	ECE 405/405L	4/1
Professional Topics for Engineers	ECE 464	1
Team Project	ECE 467	1
Total Units		77

Elective Core Courses	
Course	Units
ECE Upper Division Electives	21
12 of the 21 units must be 400 level courses. A minimum of one lab (either 300 or 400 level) is required. If a course has an associated lab, both must be taken.	
Total Units	21

Required Support Courses		
Course		Units
General Chemistry	CHM 121	3
General Chemistry Lab (B3)	CHM 121L	1
Analytic Geometry/Calculus I (B4)	MAT 114	4
Analytic Geometry/Calculus II	MAT 115	4
Analytic Geometry/Calculus III	MAT 116	4
Calculus Several Variables I	MAT 214	3
Calculus Several Variables II	MAT 215	3
Linear Algebra & Differential Equations	MAT 224	4
Materials Science & Engineering	MTE 208	3
General Physics (B1, B3)	PHY 131/131L	3/1
General Physics	PHY 132/132L	3/1
General Physics	PHY 133/133L	3/1
Project Design and Applications (B5)	EGR 481, 482	4
Total Units		45

General Education Requirements		IGE (G.E. Alternative)
Area	Units	
Area A Communication & Critical Thinking	12	IGE 120 4
1 Oral Communication		IGE 121 4
2 Written Communication		IGE 122 4
3 Critical Thinking		IGE 220 4
Area B Mathematics & Natural Sciences	16	IGE 221 4
<i>Select at least one lab course from sub-area 1 or 2.</i>		
1 Physical Science		IGE 222 4
2 Biological Science		IGE 223 4
3 Laboratory Activity		Area A1 4
4 Math/Quantitative Reasoning		Area A3 4
5 Science & Technology Synthesis		Area B 16
Area C Humanities	16	Area C1, C2 or C3 4
1 Visual and Performing Arts		Area C4 4
2 Philosophy and Civilization		Area D4 4
3 Literature and Foreign Language		
4 Humanities Synthesis		
Area D Social Sciences	20	See University Catalog for information on how IGE meets G.E. requirements.
1 U.S. History, Constitution, American Ideals		
2 History, Economics and Political Science		
3 Sociology, Anthropology, Ethnic & Gender Studies		
4 Social Science Synthesis		
Area E Lifelong Understanding & Self Development	4	
Total Units	68	

American Institutions Courses that satisfy this requirement may also satisfy G.E. Area D1	8
---	---

American Cultural Perspectives Requirement Refer to catalog for list of courses that satisfy this requirement. Course may also satisfy major, minor, GE, or unrestricted elective requirements.	4
---	---

The following required support courses should be taken to satisfy the indicated GE Requirements to achieve the minimum units to degree listed at the top of this sheet.

Course	GE Area
General Physics	PHY 131/131L B1, B3
and General Chemistry Lab	CHM 121L B3
Analytic Geometry/Calculus I	MAT 114 B4
Project Design and Applications	EGR 481, 482 B5

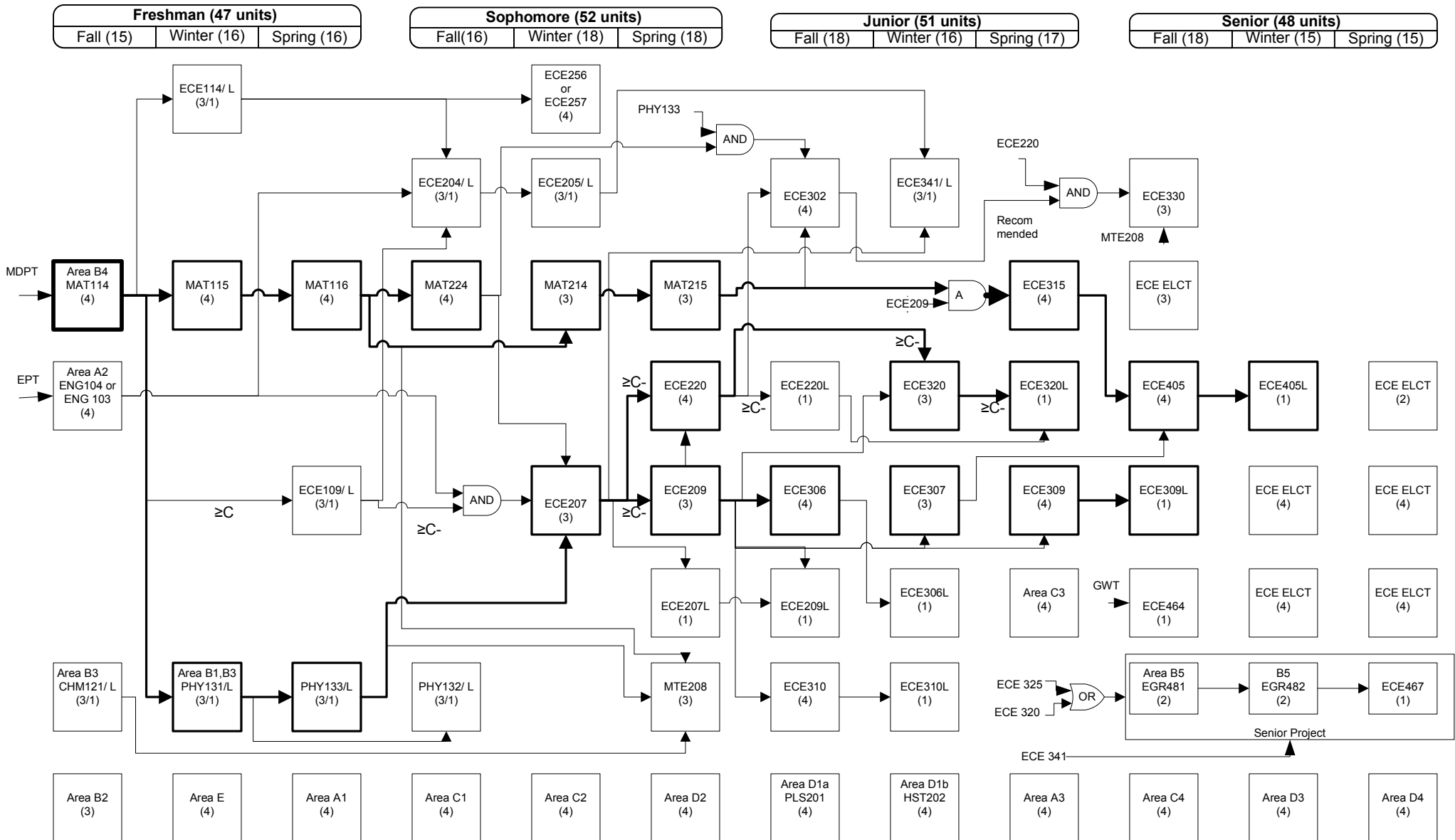
The remaining GE requirements may be satisfied by any course approved for that area.

No more than 105 community college quarter units or 36 extension credit quarter units may be applied toward a Bachelor's degree.
A minimum 2.0 cumulative GPA is required in core (including option) courses, Cal Poly Pomona courses, and overall work completed in order to receive a degree in this major.

Electrical Engineering Curriculum Flow Chart

Year 2012/2013

Name: _____



- BS Electrical Engineering degree requirements include 21 units of upper division electives, and:**
- 1- A minimum of one lab (either 300 or 400 level) is required.
 - 2- If a course has an associated lab (The lab is listed as corequisite to the Lecture), both must be taken.
 - 3- 12 of the 21 units must be 400 level courses

Electrical and Computer Engineering Department
Electrical Engineering Major
Curriculum Year: 2012-2013

*Your department has developed this road plan, taking into account prerequisites and schedule restrictions.
You should pay attention to these concerns when deviating from this plan.*

	Fall	Units	Winter	Units	Spring	Units	Comment
Year 1	CHM 121/121L Major Support	4	ECE 114/114L Major Core	4	MAT 116 Major Support	4	<i>Students in this major are expected to maintain a GPA of at least 2.00 in all core courses.</i> <i>MAT 114, PHY 131/131L, PHY 132L, EGR 481, and EGR 482 satisfy both major and general education requirements</i>
	MAT 114 GE Area B4	4	MAT 115 Major Support	4	ECE 109/109L Major Core	4	
	ENG 104 or ENG 103 GE Area A2	4	PHY 131/131L GE Area B1, B3	4	PHY 133/133L Major Support	4	
	GE Area B2 Any approved course in area B2	3	GE Area E Any approved course in area E	4	GE Area A1 Any approved course in area A1	4	
	Total Units	15	Total Units	16	Total Units	16	
Total Units for Year						47	
Year 2	ECE 204/204L Major Core	4	ECE 256 or ECE 257 Major Core	4	MAT 215 Major Support	3	
	MAT 224 Major Support	4	ECE 205/205L Major Core	4	ECE 220 Major Core	4	
	PHY 132/132L Major Support	4	MAT 214 Major Support	3	ECE 209 Major Core	3	
	GE Area C1 Any approved course in C1	4	ECE 207 Major Core	3	MTE 208 Major Support	3	
			GE Area C2 Any approved course in C2	4	GE Area D2 Any approved course in area D2	4	
					ECE 207L Major Core	1	
	Total Units	16	Total Units	18	Total Units	18	
	Total Units for Year						

Year 3	Fall	Units	Winter	Units	Spring	Units	Comment
	ECE 302 Major Core	4	ECE 341/341L Major Core	4	ECE 320L Major Core	1	
	ECE 220L Major Core	1	ECE 320 Major Core	3	ECE 315 Major Core	4	
	ECE 306 Major Core	4	ECE 307 Major Core	3	ECE 309 Major Core	4	
	ECE 310 Major Core	4	ECE 306L Major Core	1	GE Area C3 Any approved course in area C3	4	
	ECE 209L Major Core	1	ECE 310L Major Core	1	GE Area A3 Any approved course in A3	4	
	PLS 201 GE Area D1a	4	HST 202 GE Area D1b	4			
<i>Take the Graduation Writing Test</i>							
Total Units	18	Total Units	16	Total Units	17	Total Units for Year	51

Year 4	Fall	Units	Winter	Units	Spring	Units	Comment
	ECE 330 Major Core	3	ECE UD Elective Major Core	4	ECE UD Elective Major Core	2	<i>Select from ECE upper Division Electives (12 of the 21 units must be 400 level. A minimum of one lab (either 300 or 400 level) is required. If a course has an associated lab, both must be taken).</i>
	ECE 405 Major Core	4	ECE 405L Major Core	1	ECE UD Elective Major Core	4	
	ECE 464 Major Core	1	ECE UD Elective Major Core	4	ECE UD Elective Major Core	4	
	ECE UD Elective Major	3	EGR 482 GE Area B5	2	ECE 467 Major Core	1	
	ECE 309L Major Core	1	GE Area D3 Any approved course in area D3	4	GE Area D4 Any approved course in area D4	4	
	EGR 481 GE Area B5	2					
	GE Area C4 Any approved course in area C4	4					
<i>Request a graduation check</i>				<i>File an application to graduate</i>			
Total Units	18	Total Units	15	Total Units	15	Total Units for Year	48

Total Units on Plan	198	
Major Core Units	98	
Major Support Units	32	
General Education Units	68	
Unrestricted Elective Units	0	