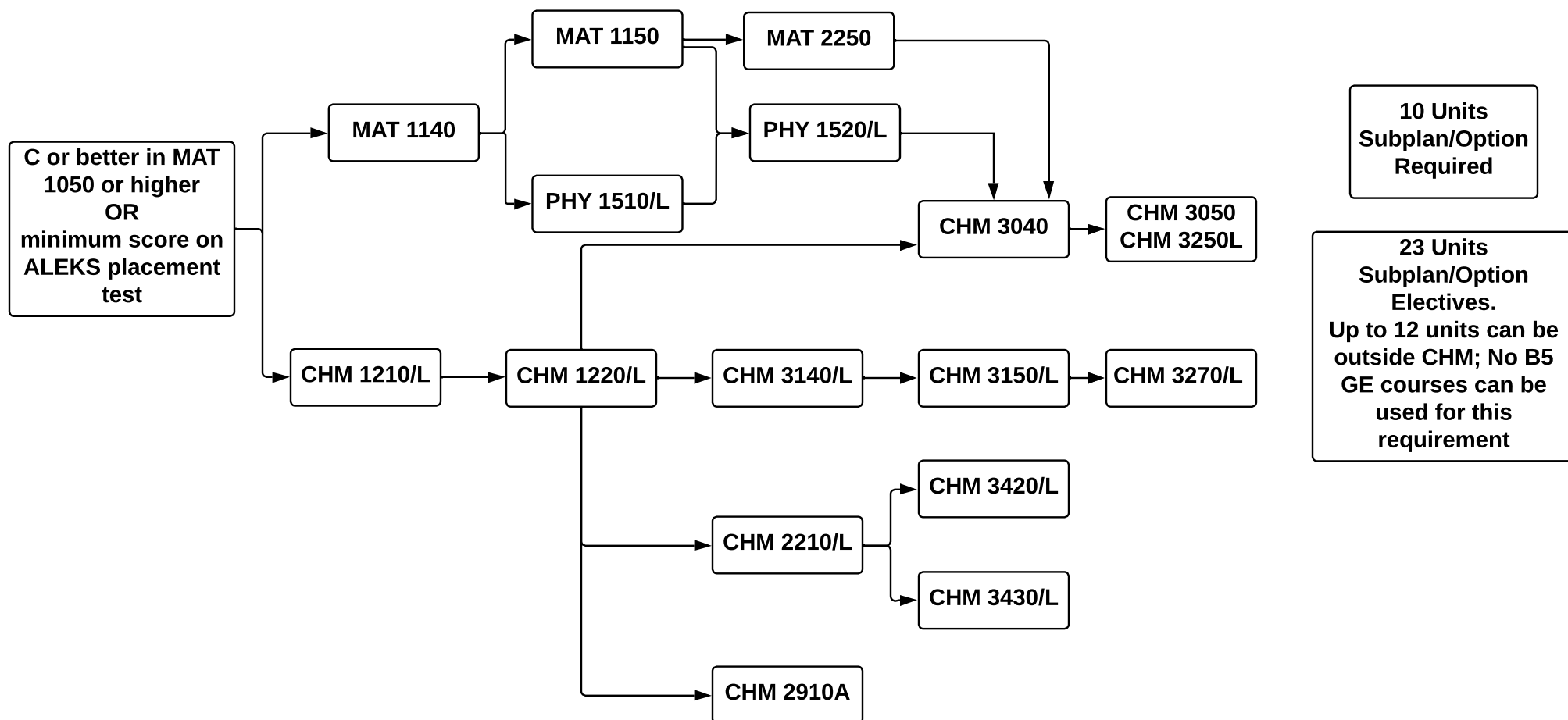


# Chemistry: General



**10 Units  
 Subplan/Option  
 Required**

**23 Units  
 Subplan/Option  
 Electives.  
 Up to 12 units can be  
 outside CHM; No B5  
 GE courses can be  
 used for this  
 requirement**