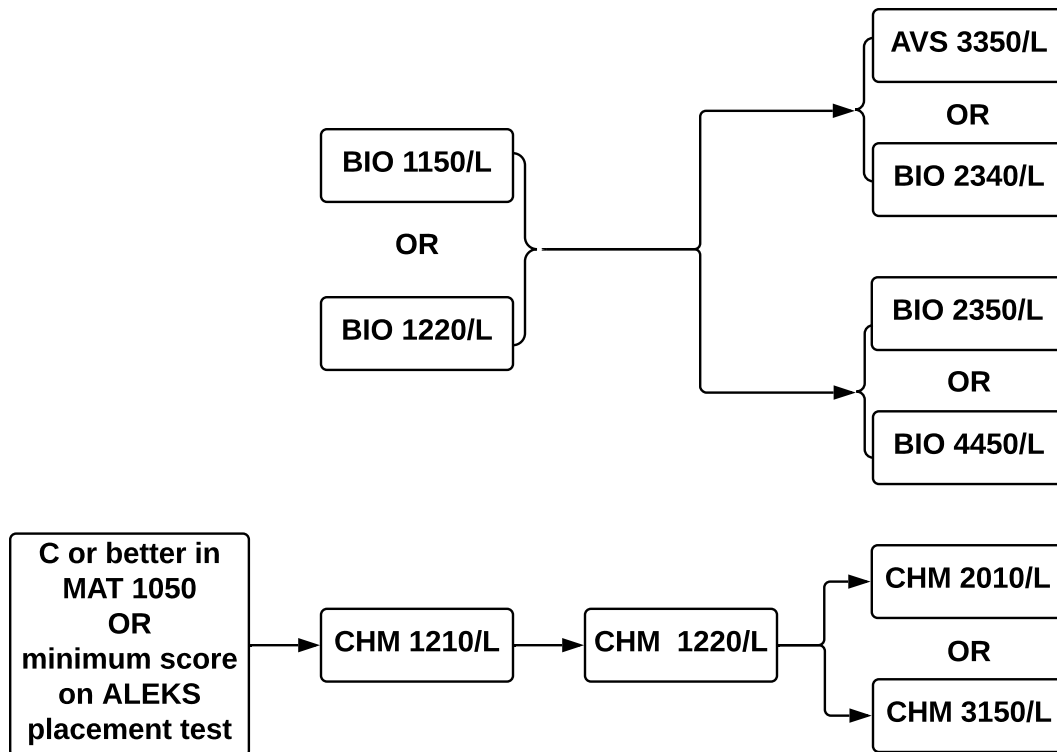


# Physiology Minor

36 Units



**Additional  
12 Units  
Advanced Physiology  
Electives Required**  
Must Include one class from  
each of the following four  
groups:  
- Physiochemical Properties  
- Physiology  
- Nutrition  
- Ergonomics  
See Course Offerings