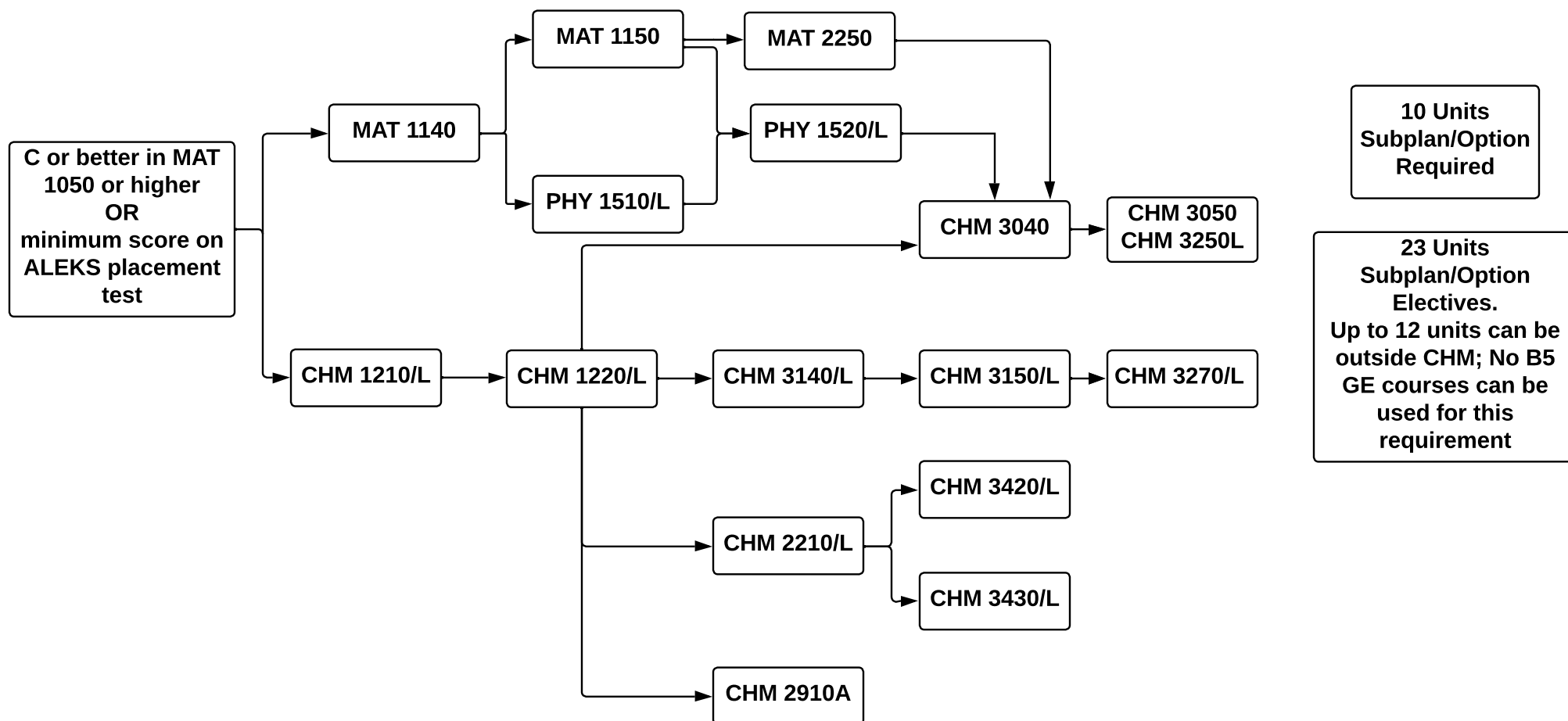


Chemistry: General



**10 Units
 Subplan/Option
 Required**

**23 Units
 Subplan/Option
 Electives.
 Up to 12 units can be
 outside CHM; No B5
 GE courses can be
 used for this
 requirement**