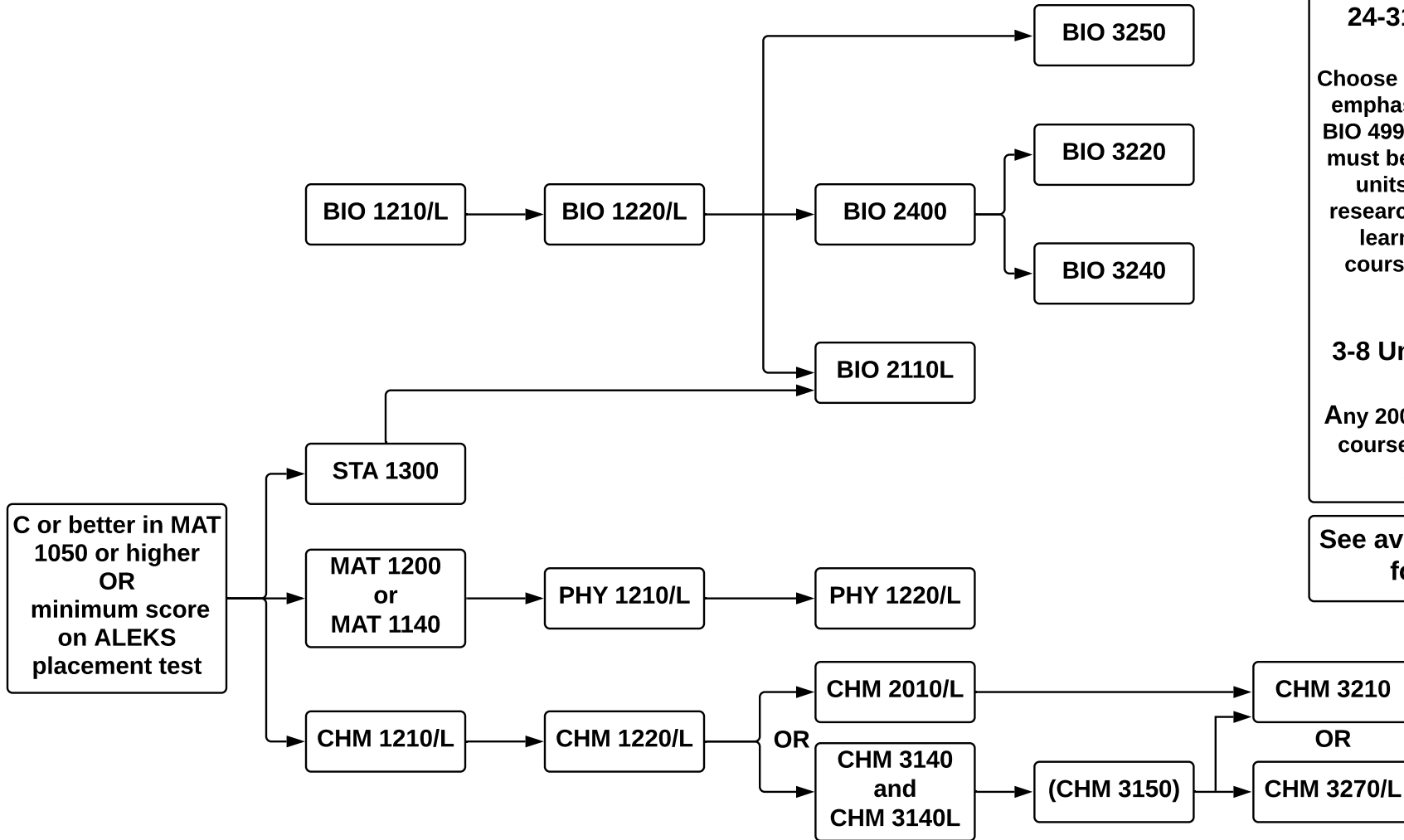


2021-2022  
College of Science  
Flow Charts



# General Biology



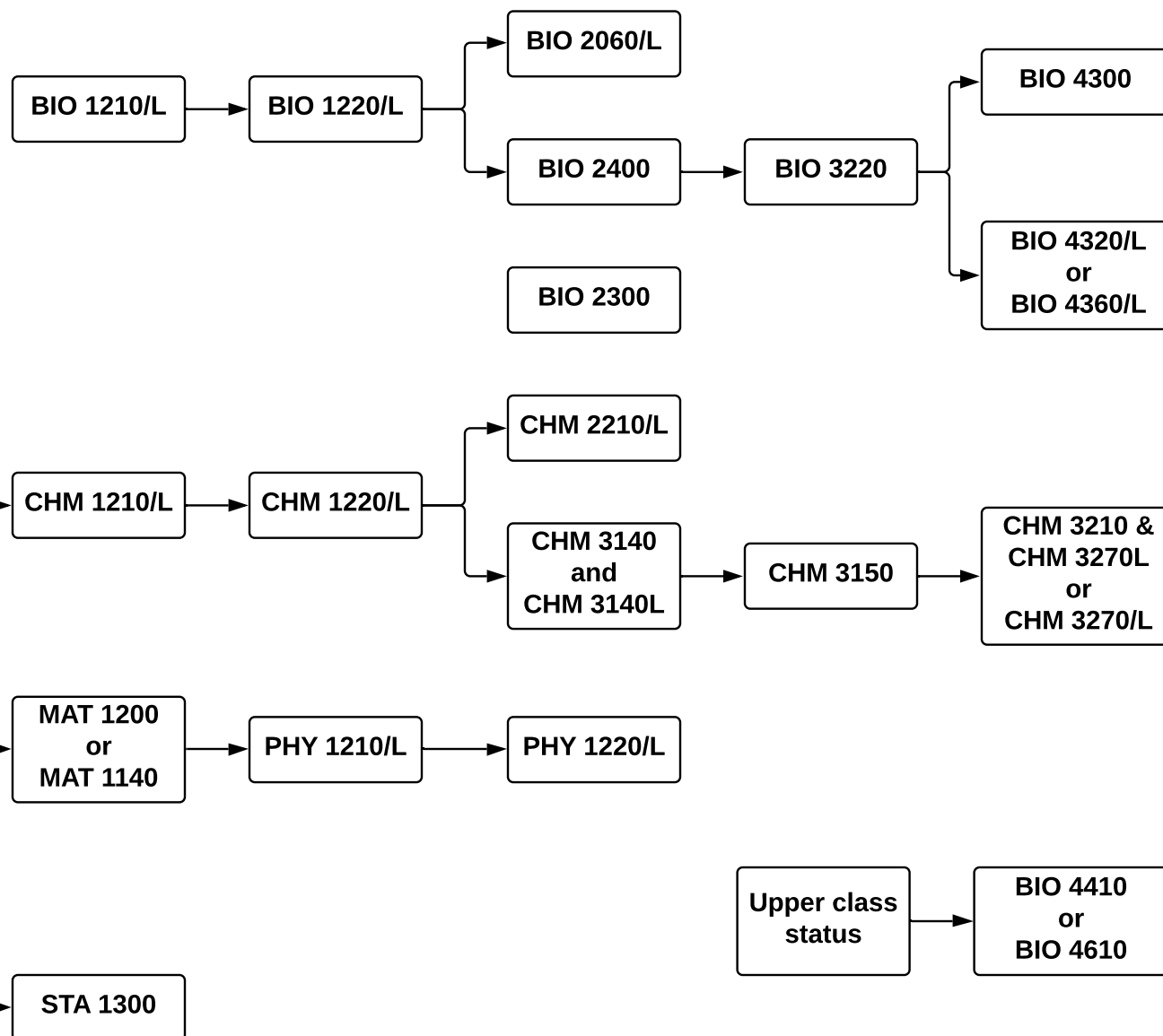
**32-34 Major Electives**

**24-31 Units Emphasis Electives**  
 Choose any course from the six emphases or BIO 2990/A/L or BIO 4990/A/L. At least 12 units must be at 4000-level. Up to 4 units combined from the research supervisory, service learning, and internship courses may count toward electives.

**3-8 Units Non-Emphasis Electives**  
 Any 2000 level and up science course or any additional GE Area B5 course

See available BIO courses for GE Area B5

# Biotechnology

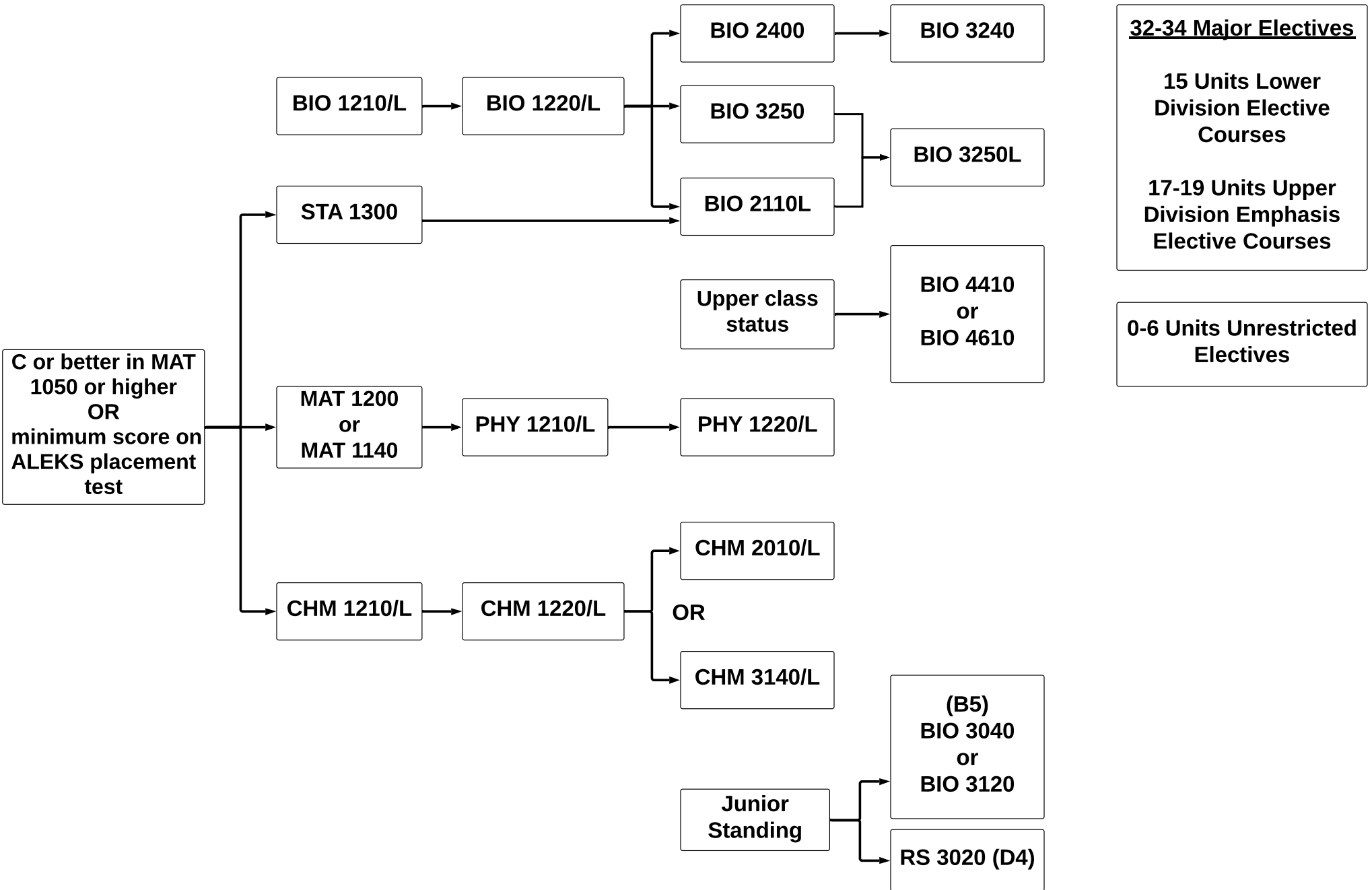


**15-16 Units Elective  
Core Courses**

Choose any course from the five emphases & up to 3 units combined from the unused BIO 4410/4610, BIO 4000, or BIO 4620.

See available BIO courses for GE Area B5

# Environmental Biology



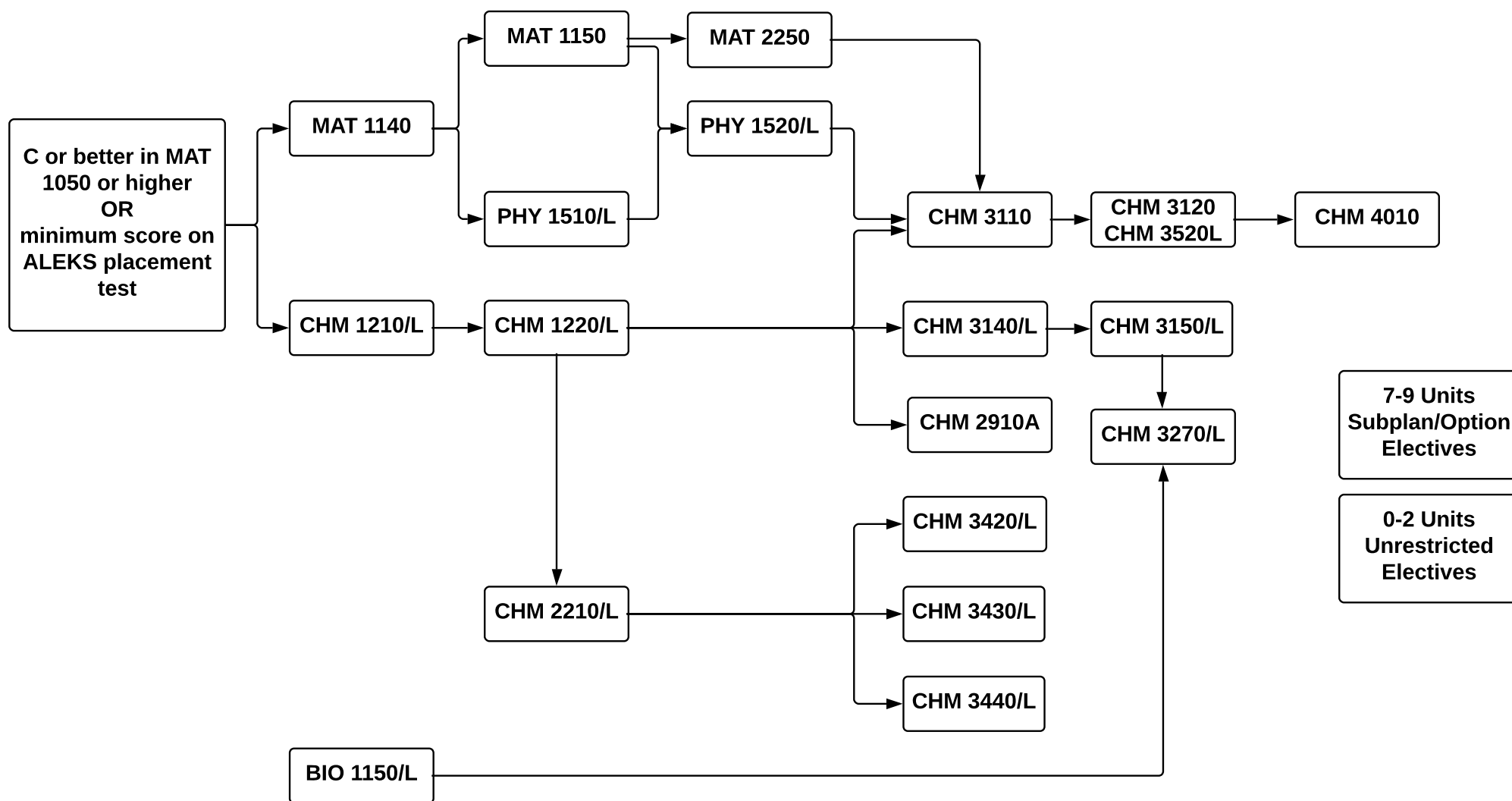
**32-34 Major Electives**

15 Units Lower Division Elective Courses

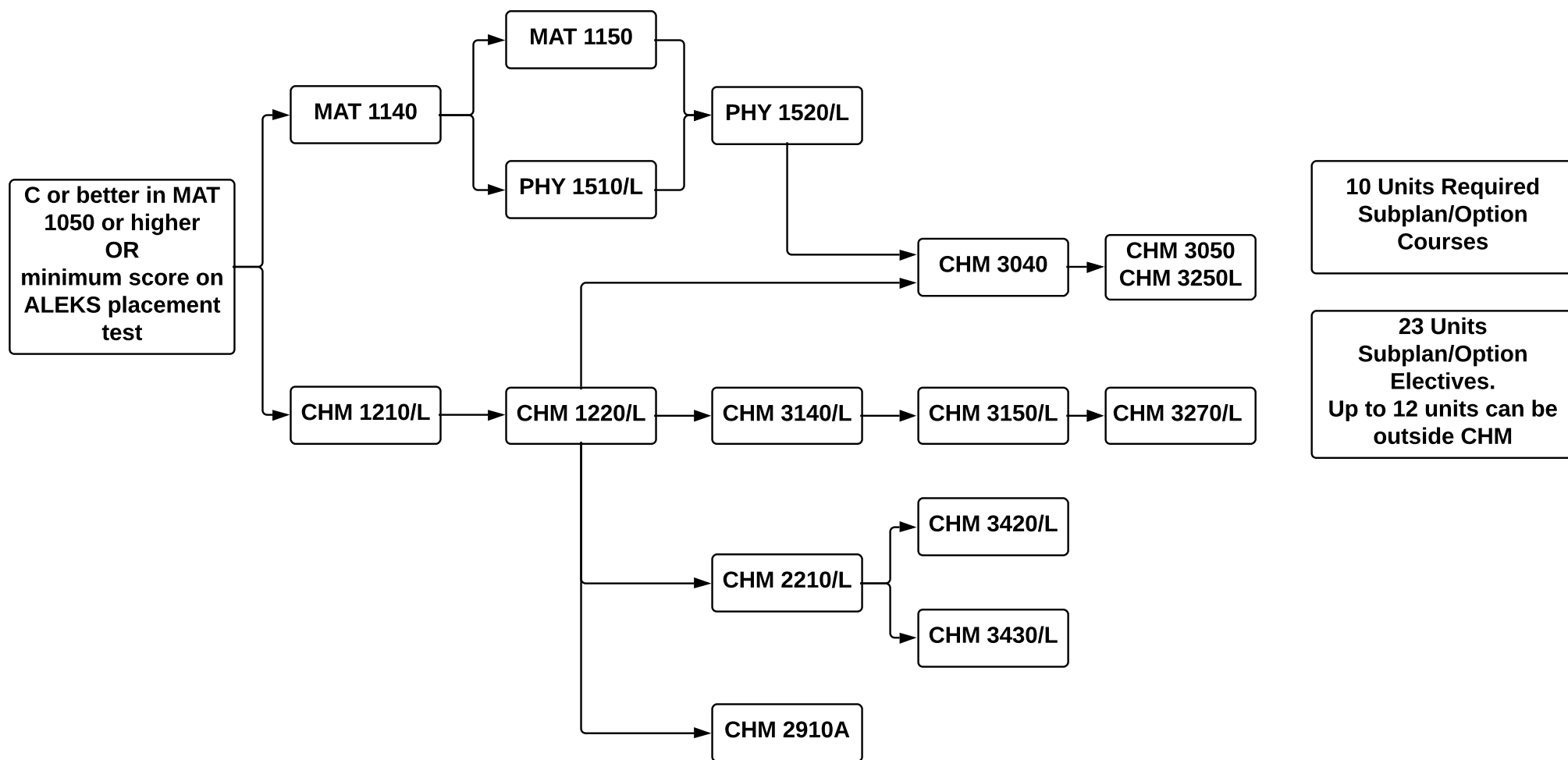
17-19 Units Upper Division Emphasis Elective Courses

0-6 Units Unrestricted Electives

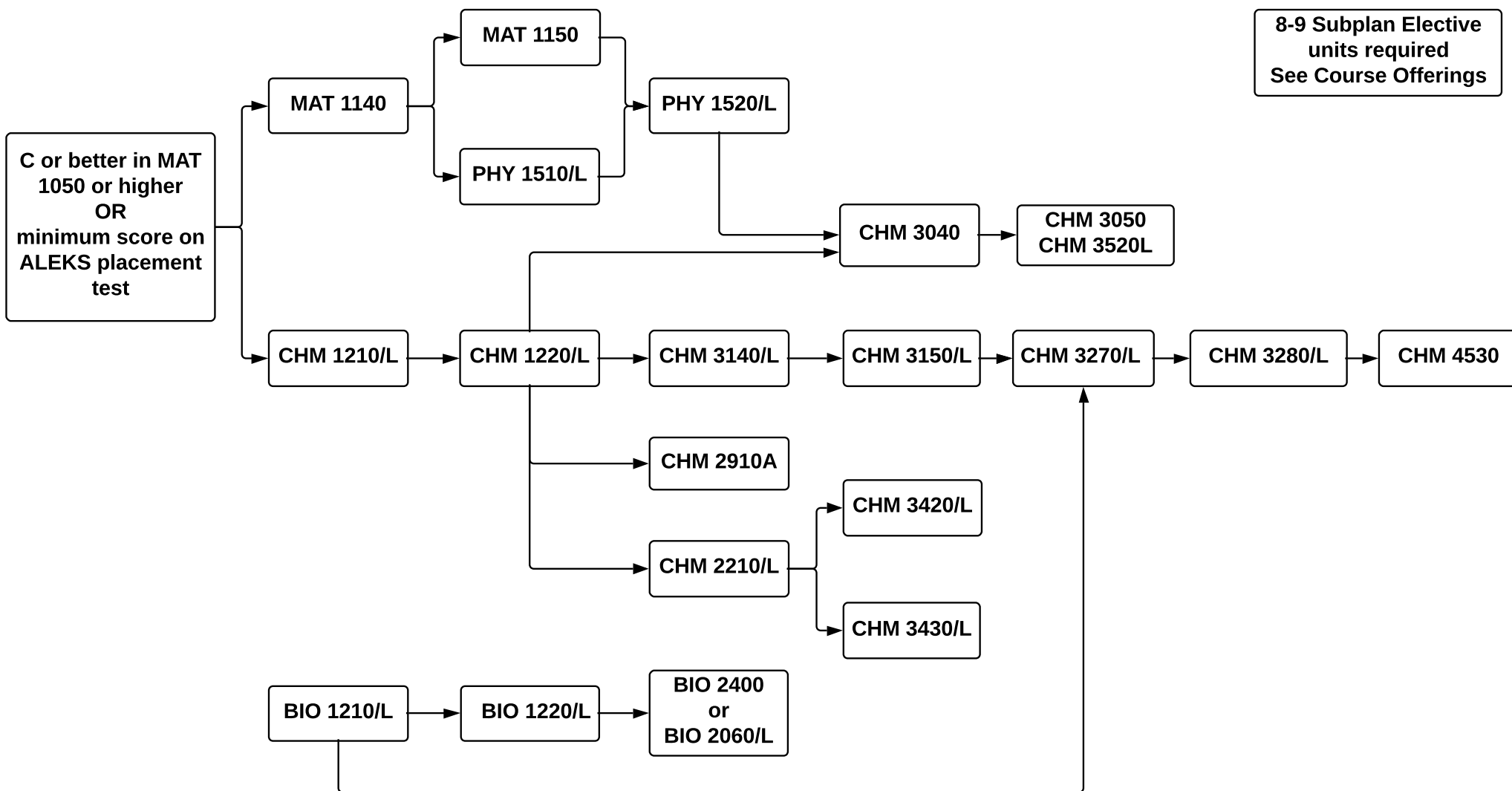
# Chemistry: ACS



# Chemistry: General

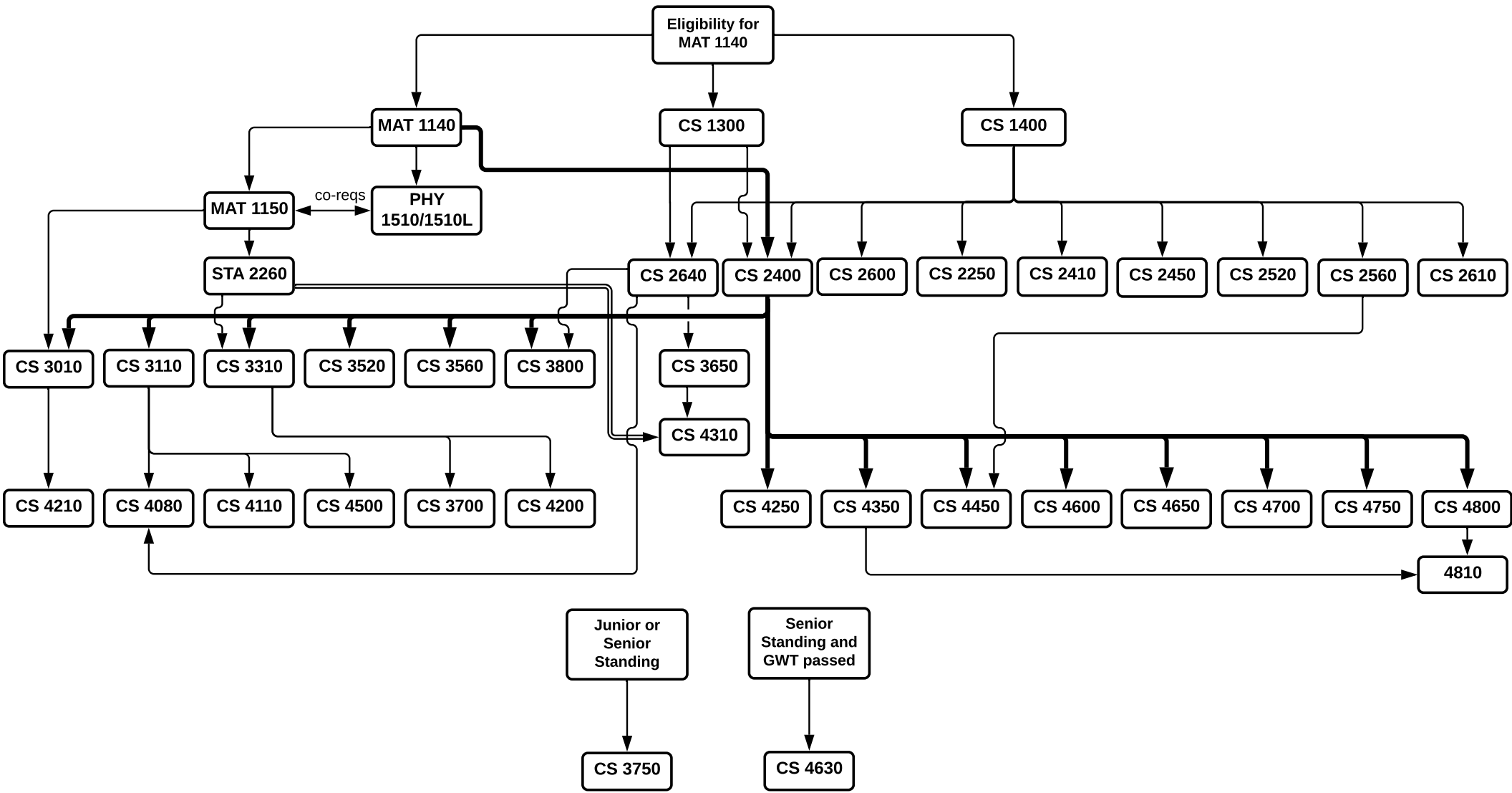


# Chemistry: Biochemistry



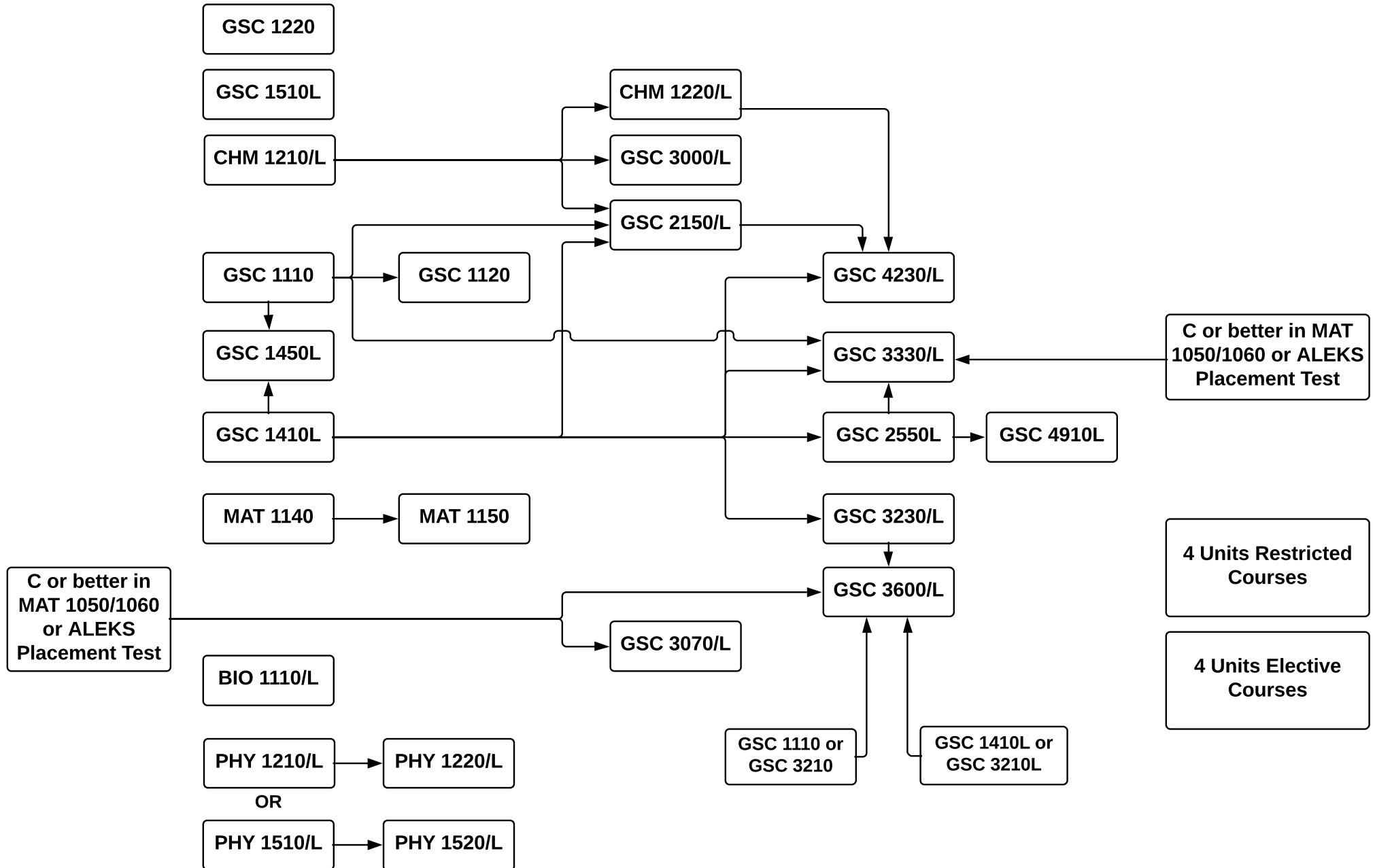
8-9 Subplan Elective  
 units required  
 See Course Offerings

# Computer Science

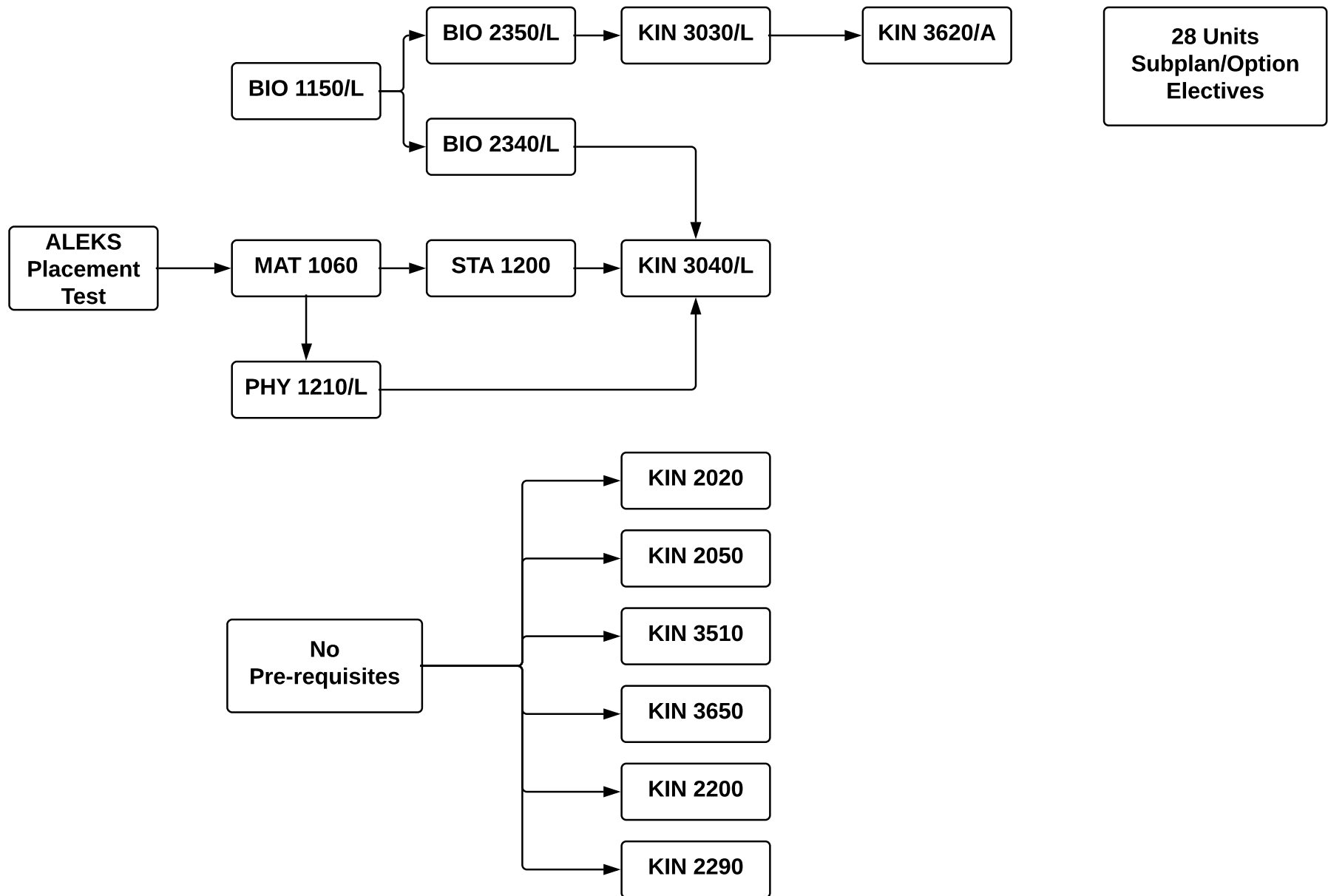




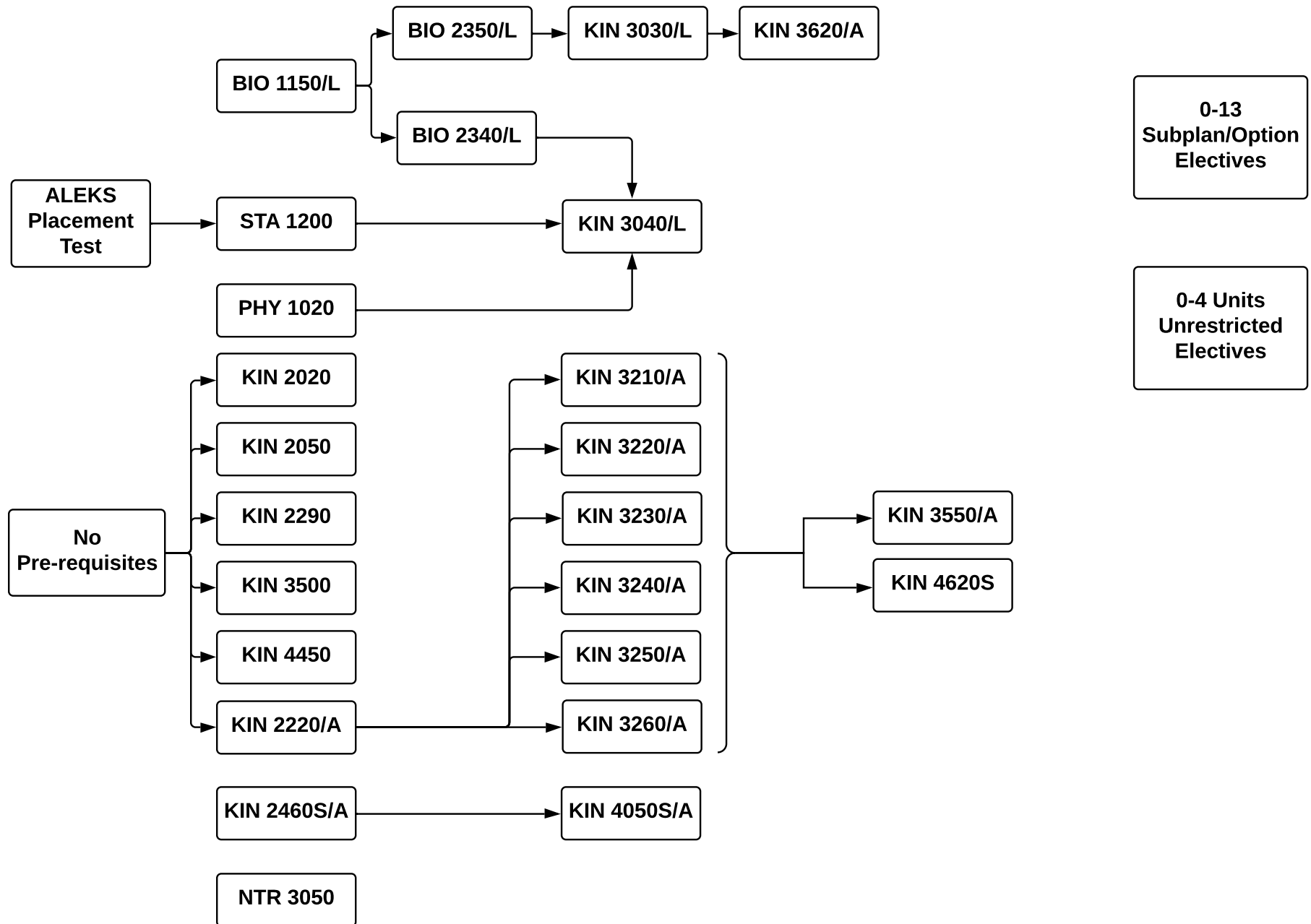
# Geological Sciences



# Kinesiology: General

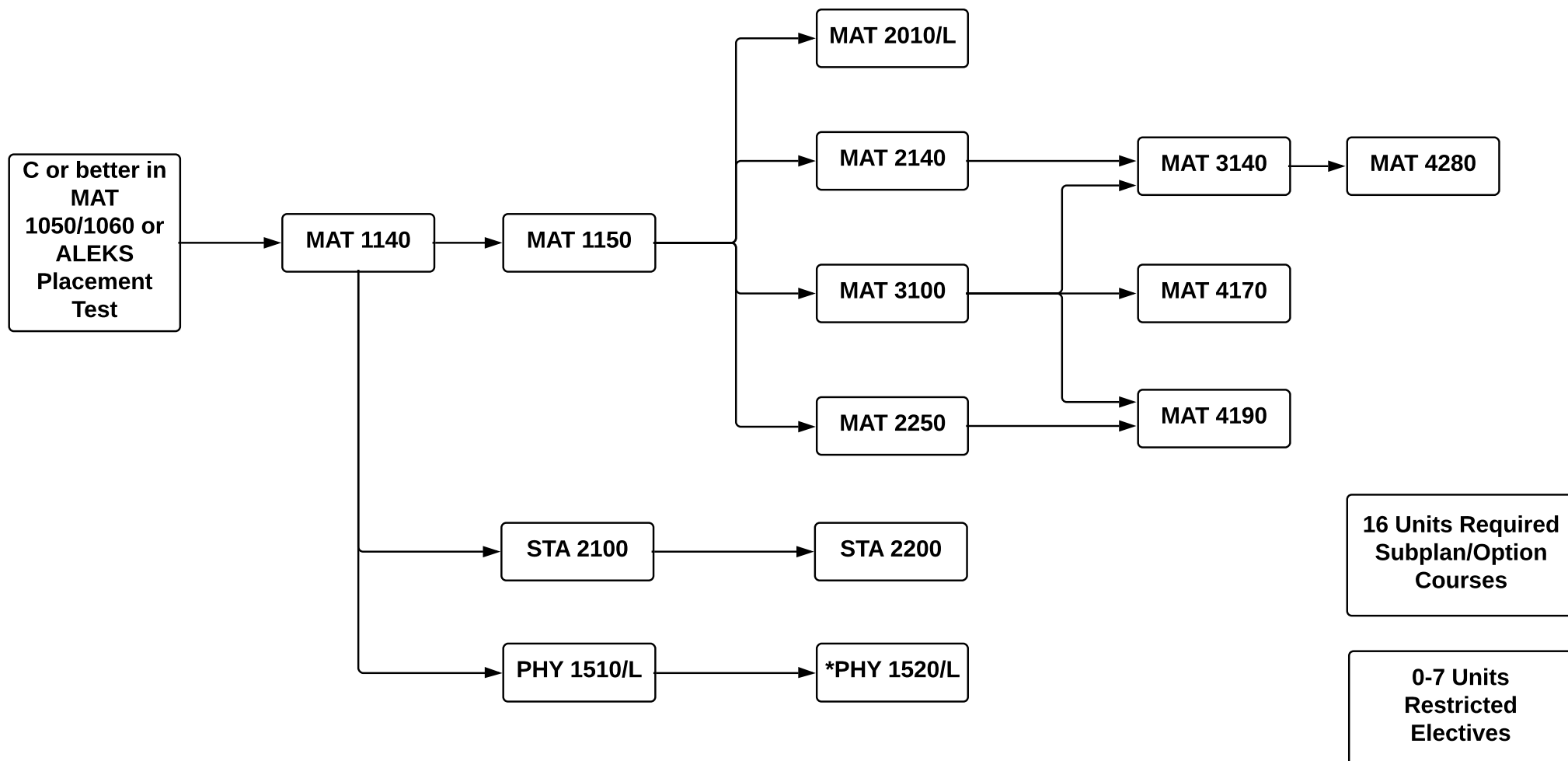


# Kinesiology: Pedagogy



# Mathematics

## All Options



\* If student takes BIO 1210/L and BIO 1220/L, then PHY 1520/L is not required. Recommended for students who are interested in biostatistics or mathematical biology.

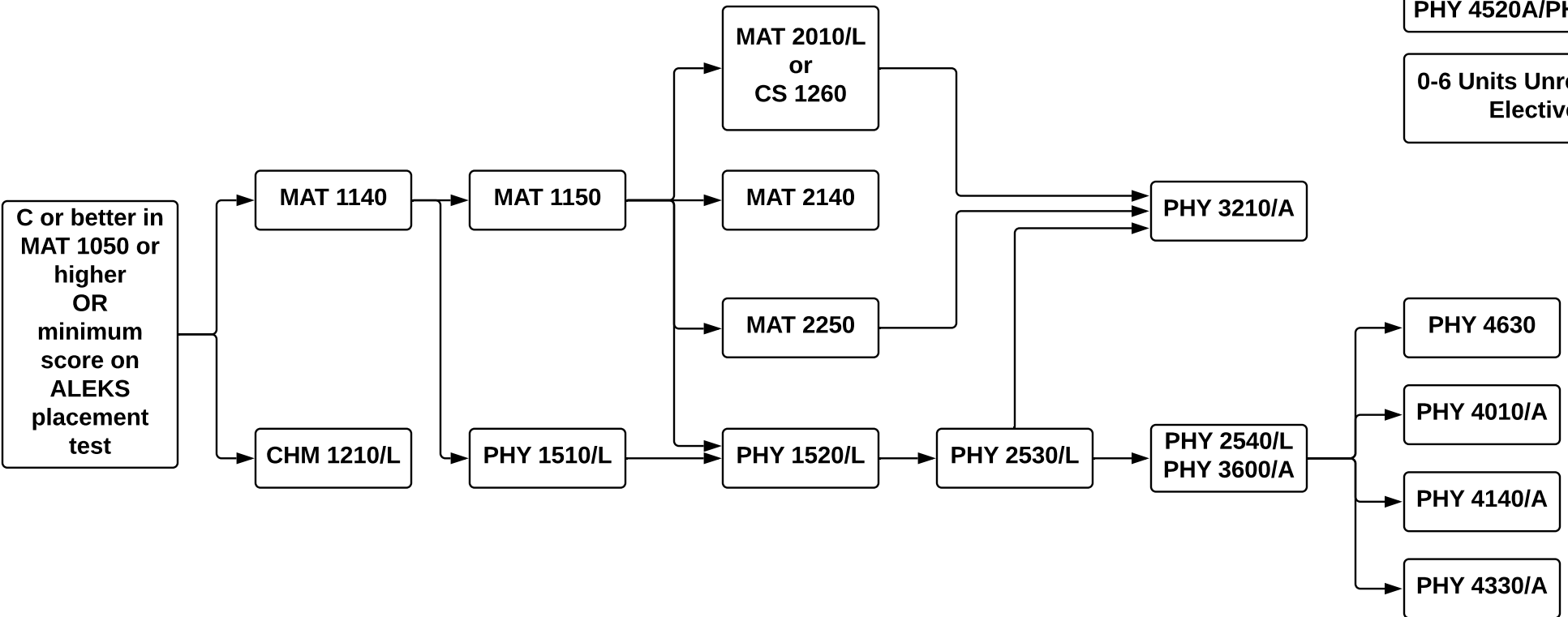
16 Units Required  
 Subplan/Option  
 Courses

0-7 Units  
 Restricted  
 Electives

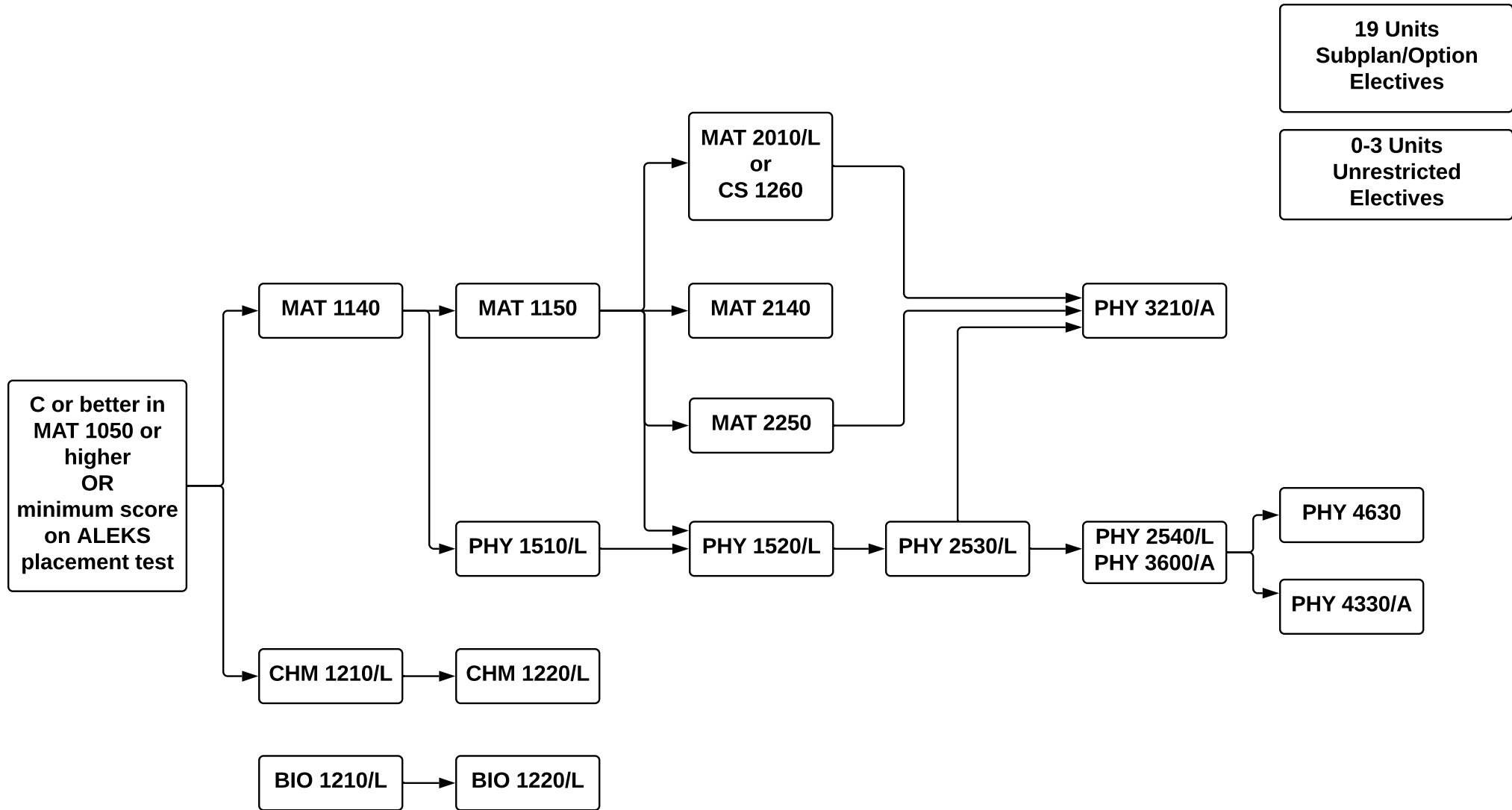
# Physics: General

14 Units Subplan  
 Option/Electives;  
 at least 2 units from  
 PHY 4510A/PHY 4510L  
 or from  
 PHY 4520A/PHY 4520L

0-6 Units Unrestricted  
 Electives



# Physics: Biophysics



# Physics: Integrated Science

