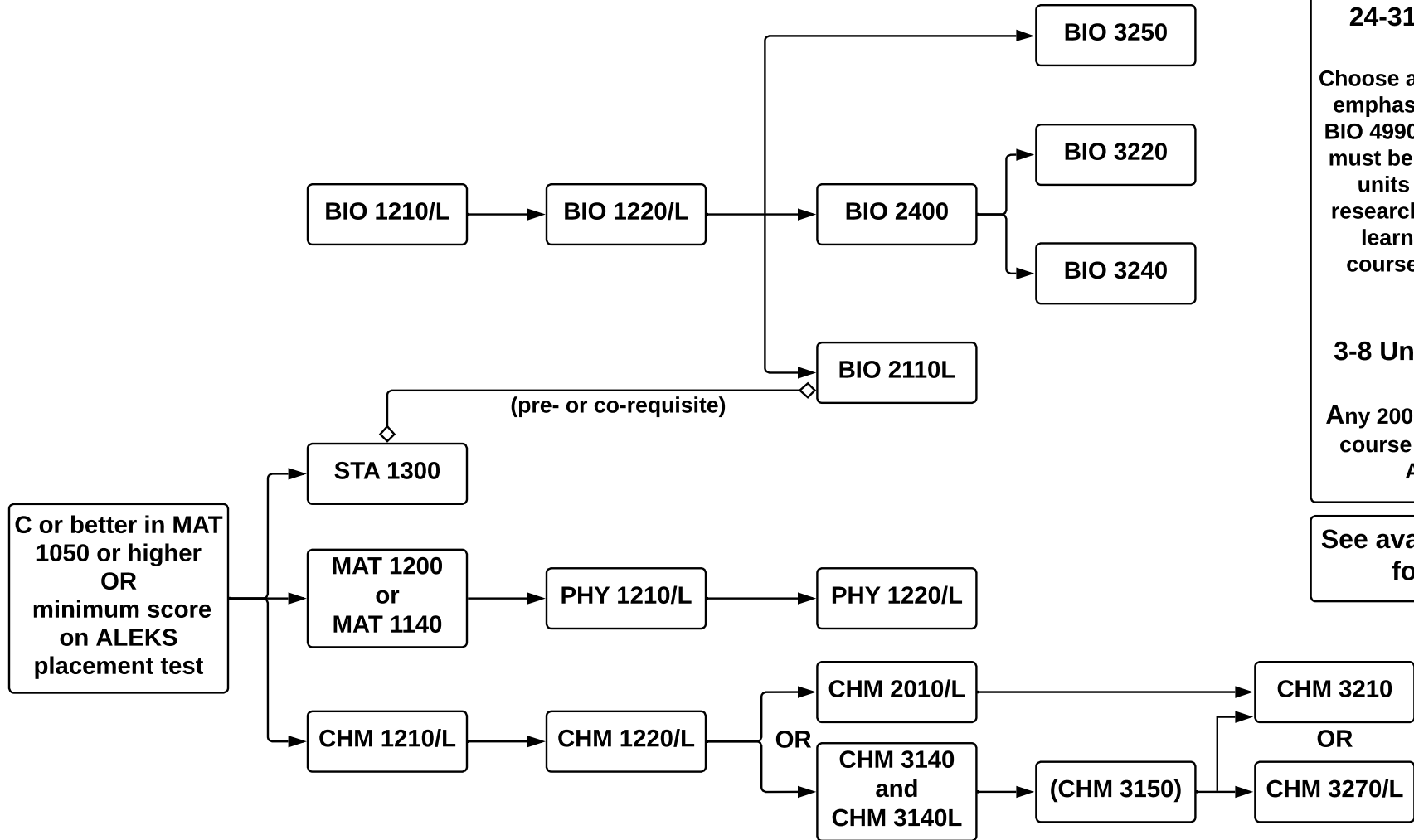


2022-2023
College of Science
Flow Charts



General Biology



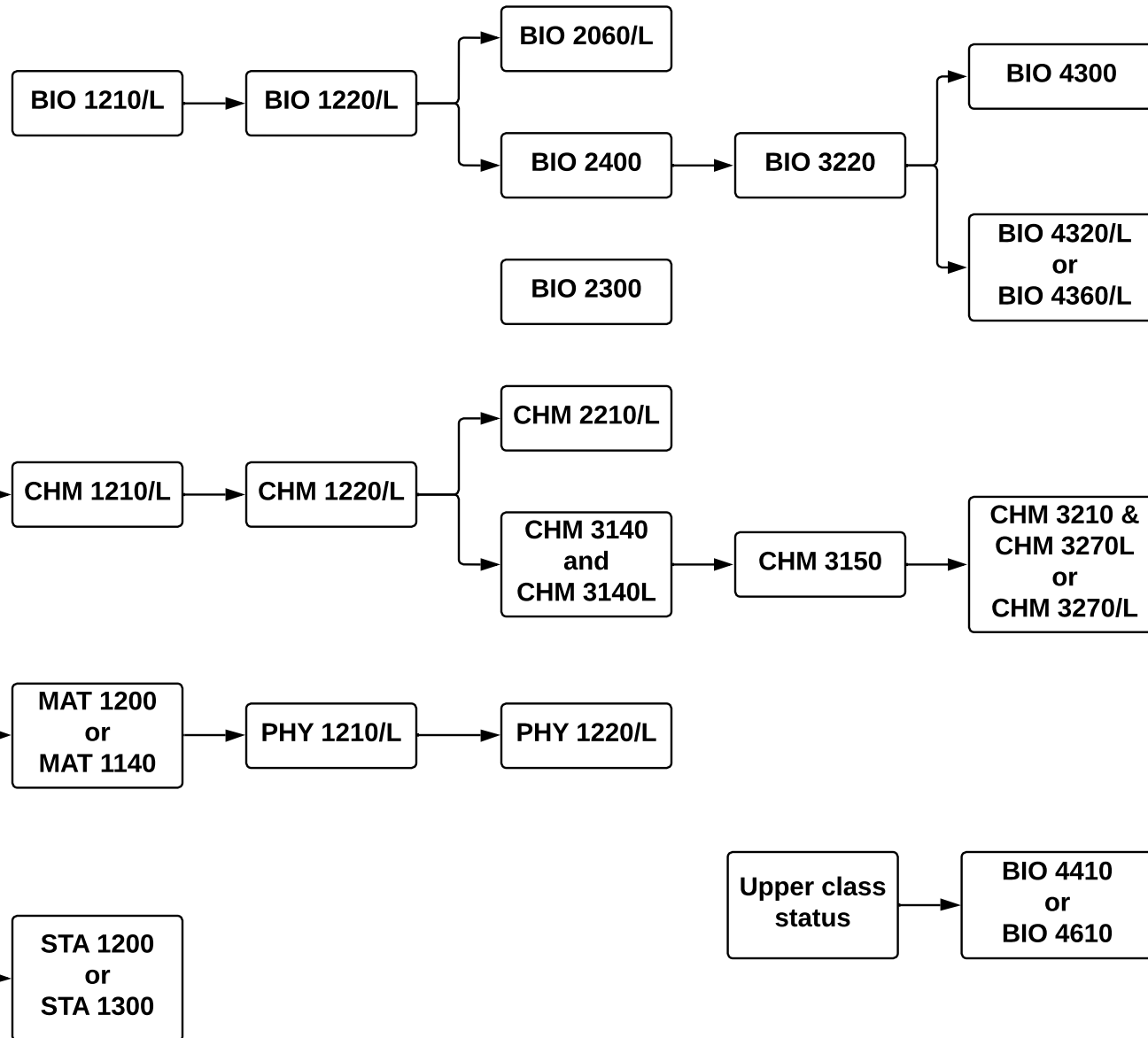
32-34 Major Electives

24-31 Units Emphasis Electives
 Choose any course from the six emphases or BIO 2990/A/L or BIO 4990/A/L. At least 12 units must be at 4000-level. Up to 4 units combined from the research supervisory, service learning, and internship courses may count toward electives.

3-8 Units Non-Emphasis Electives
 Any 2000 level and up science course or any additional GE Area B5 course

See available BIO courses for GE Area B5

Biotechnology

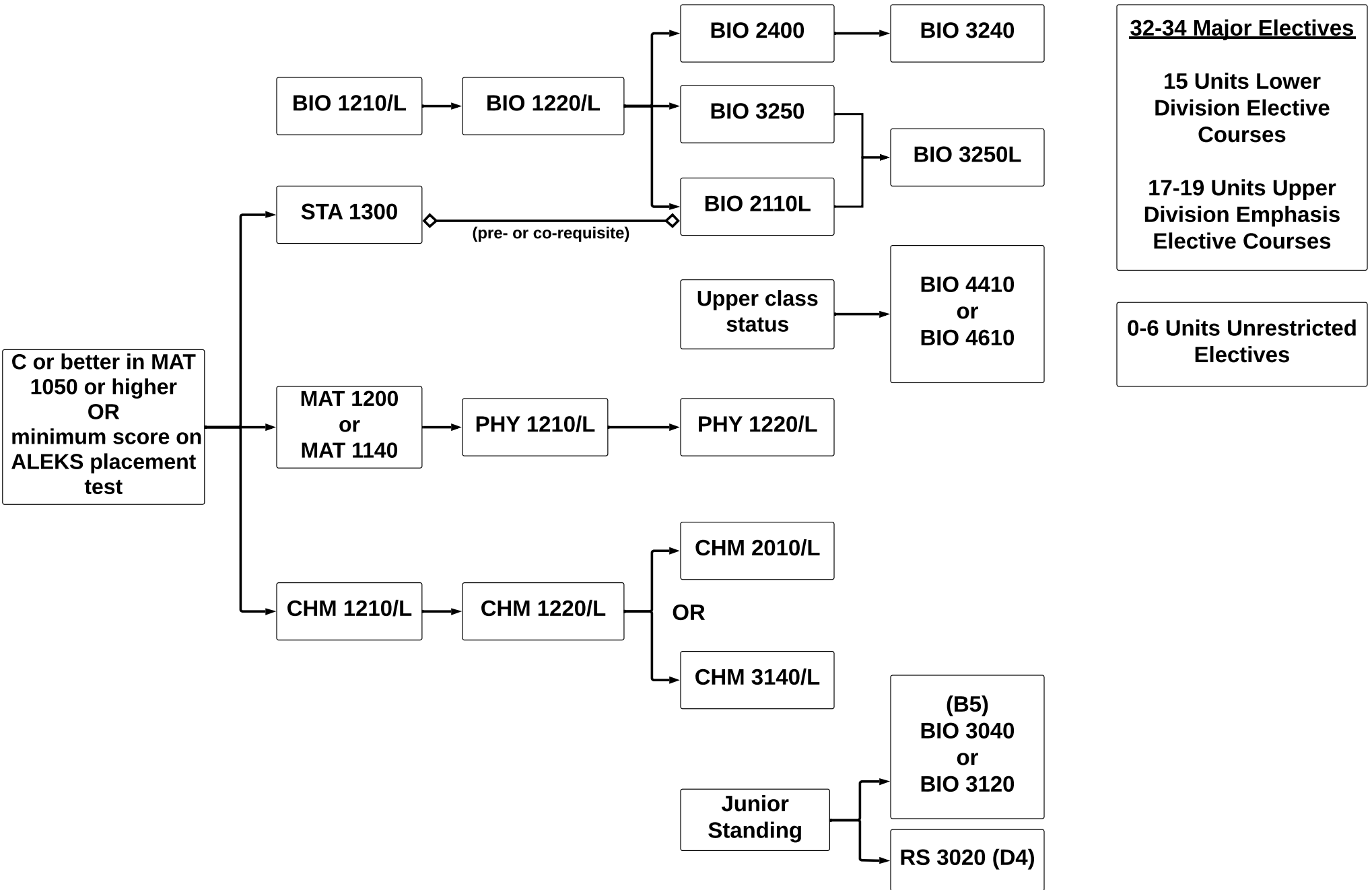


15-16 Units Elective Core Courses

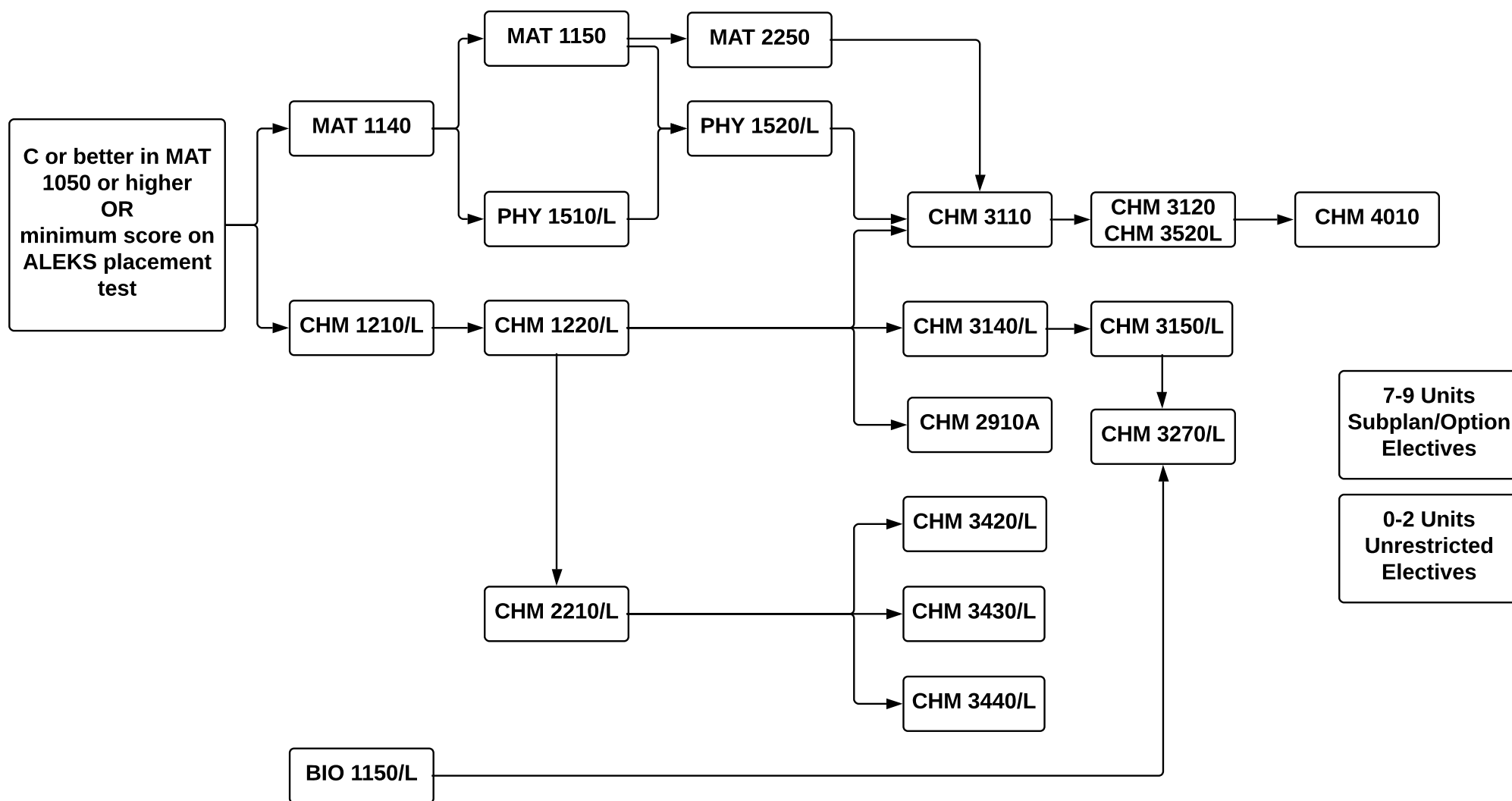
Choose any course from the five emphases & up to 3 units combined from the unused BIO 4410/4610, BIO 4000, or BIO 4620.

See available BIO courses for GE Area B5

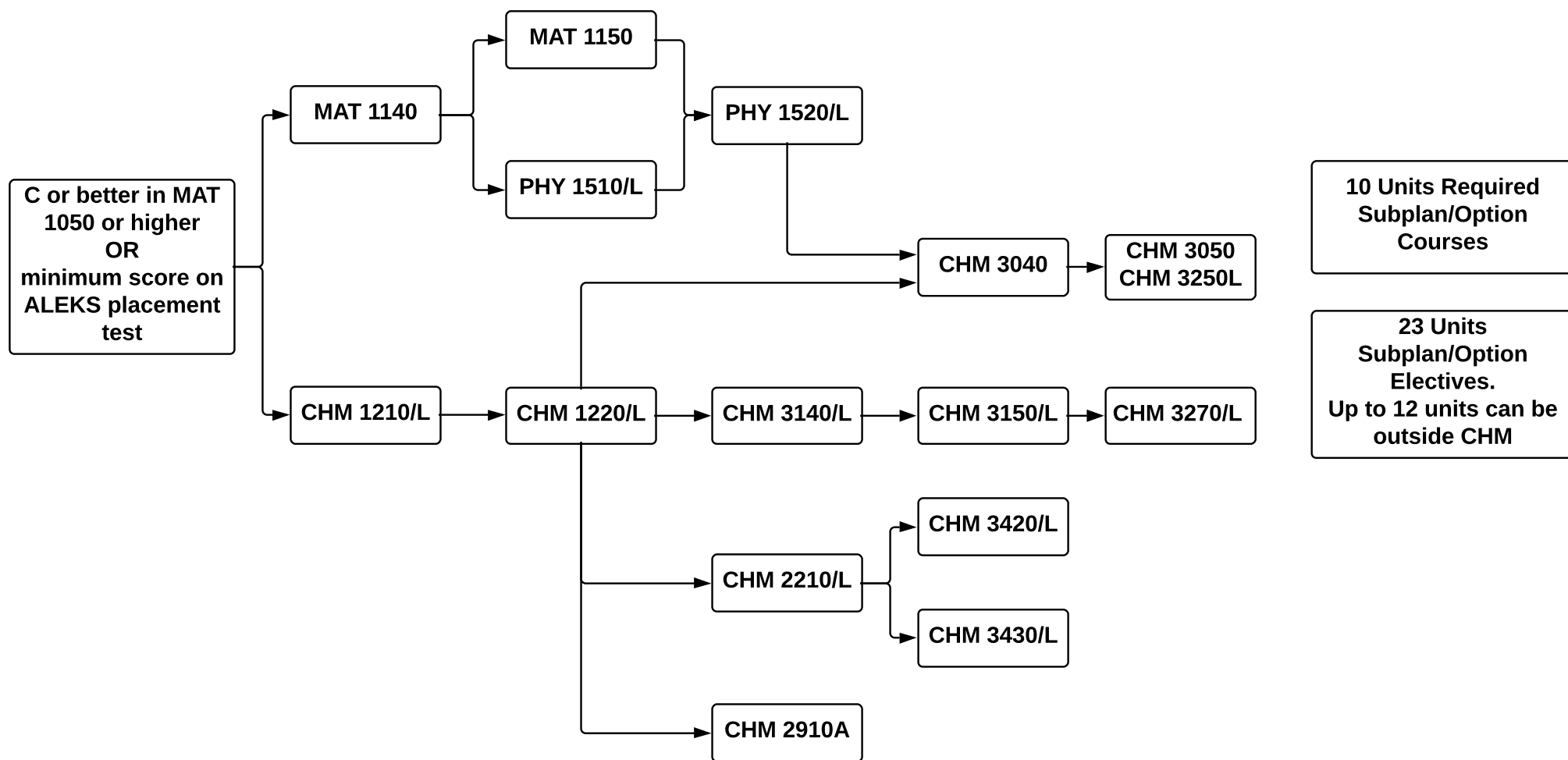
Environmental Biology



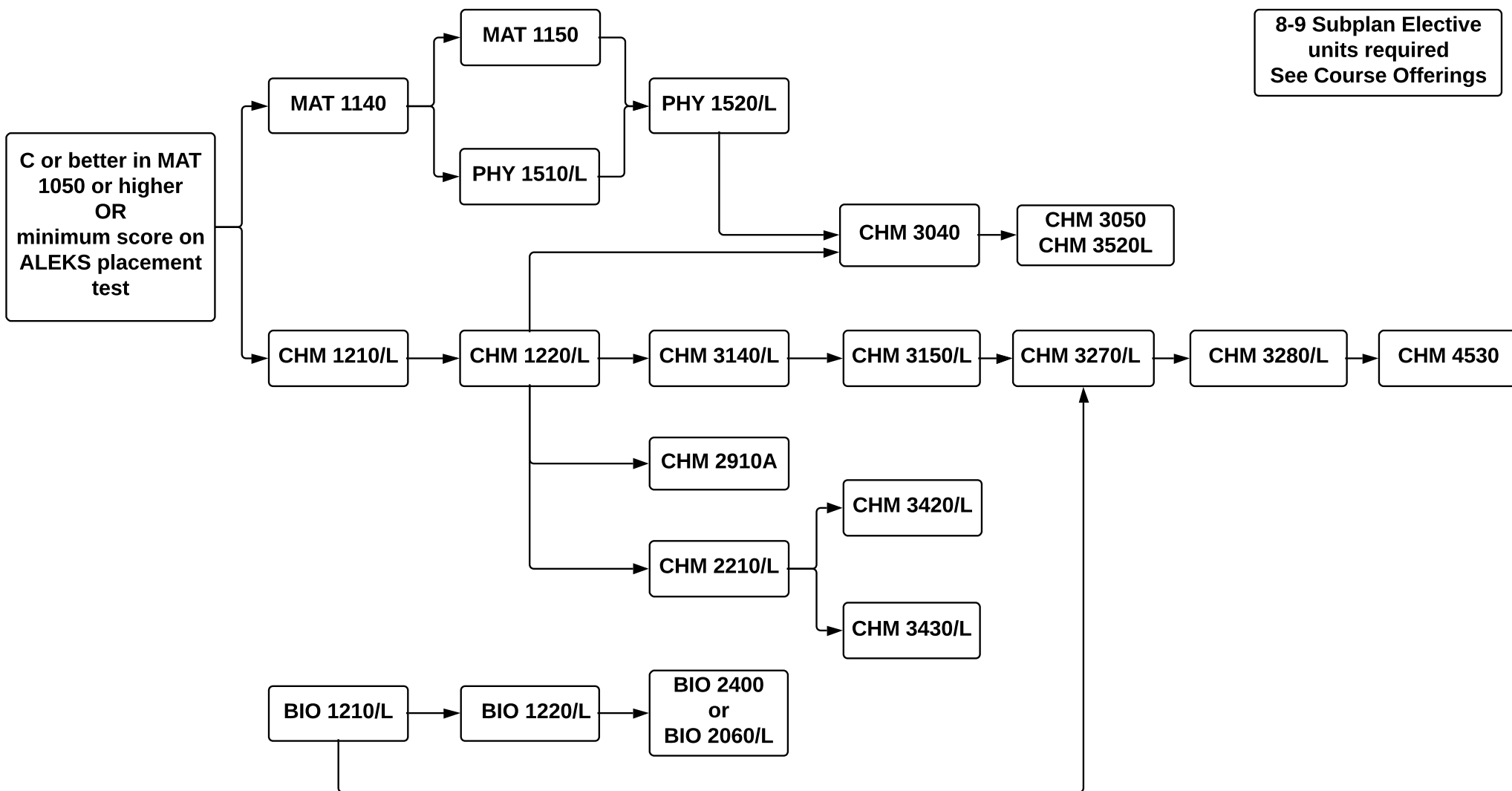
Chemistry: ACS



Chemistry: General

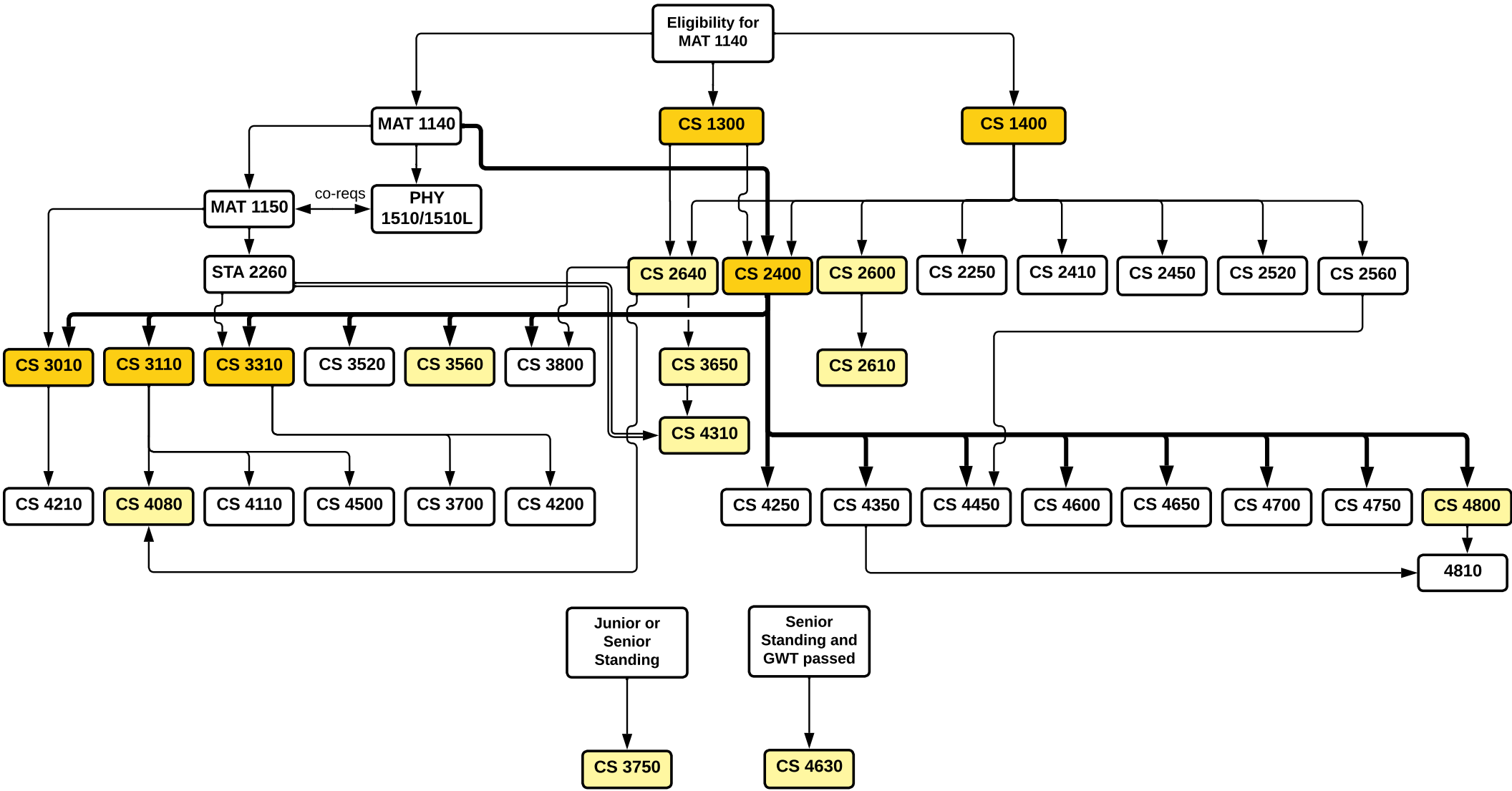


Chemistry: Biochemistry

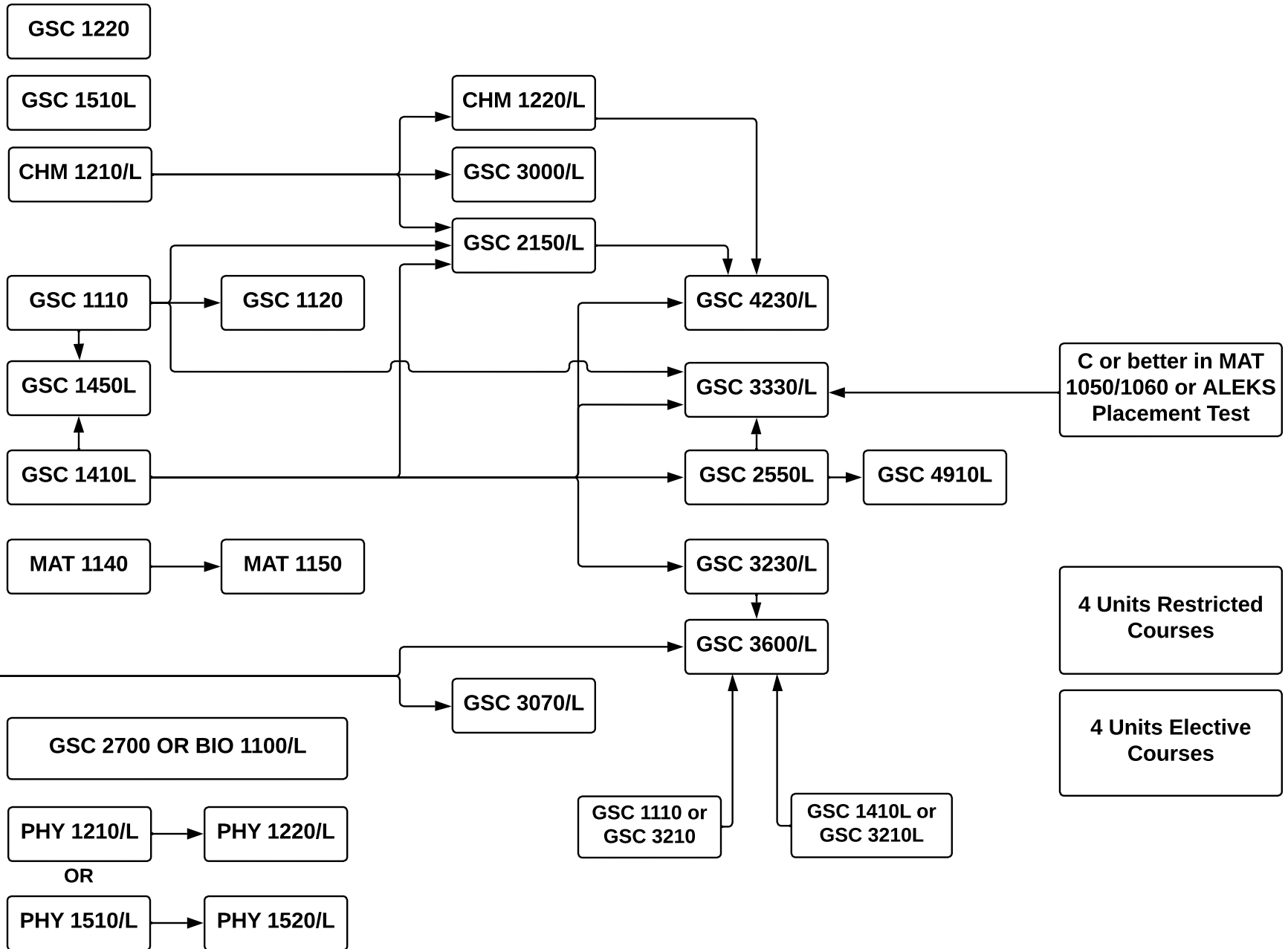


8-9 Subplan Elective
 units required
 See Course Offerings

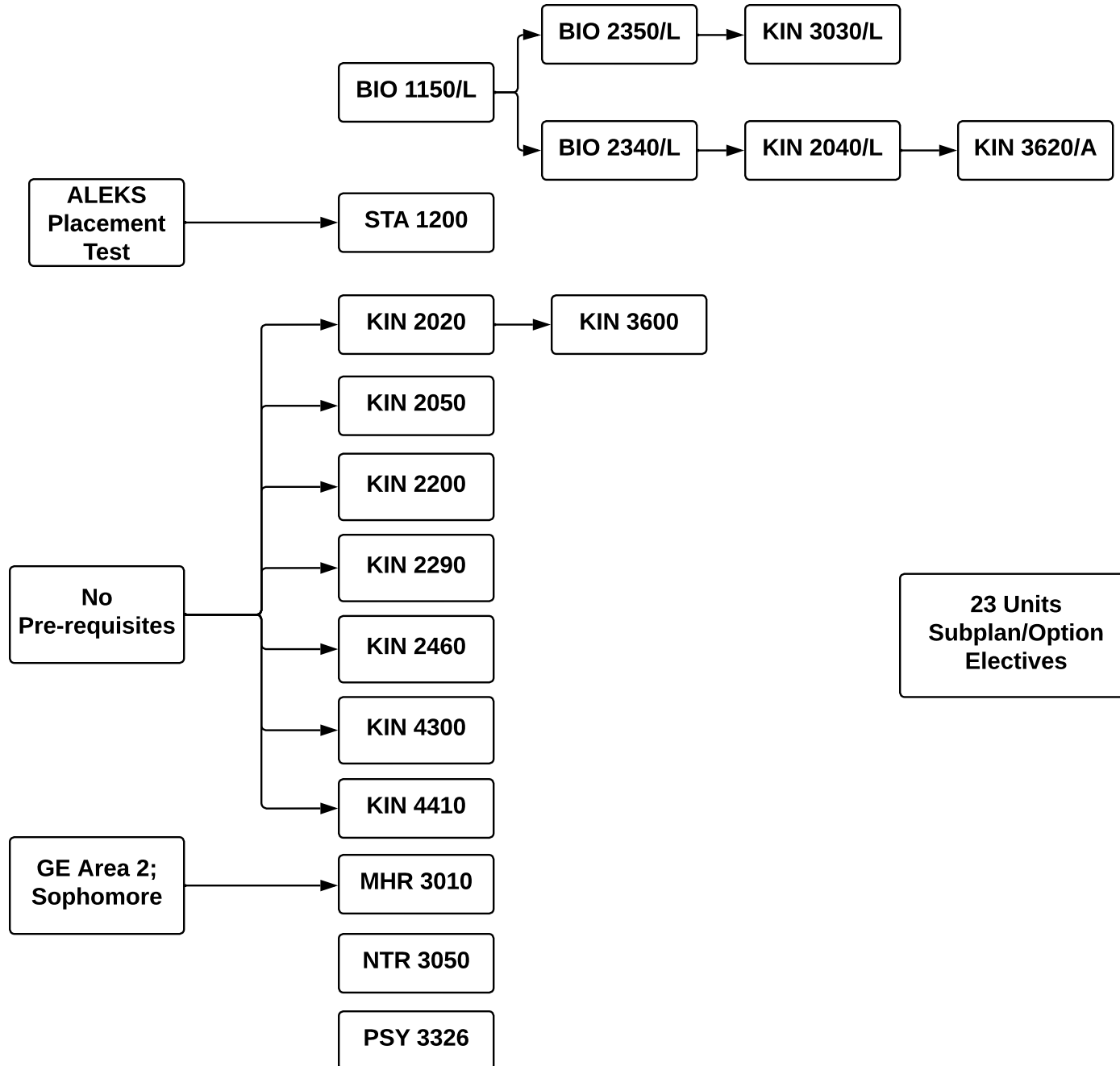
Computer Science



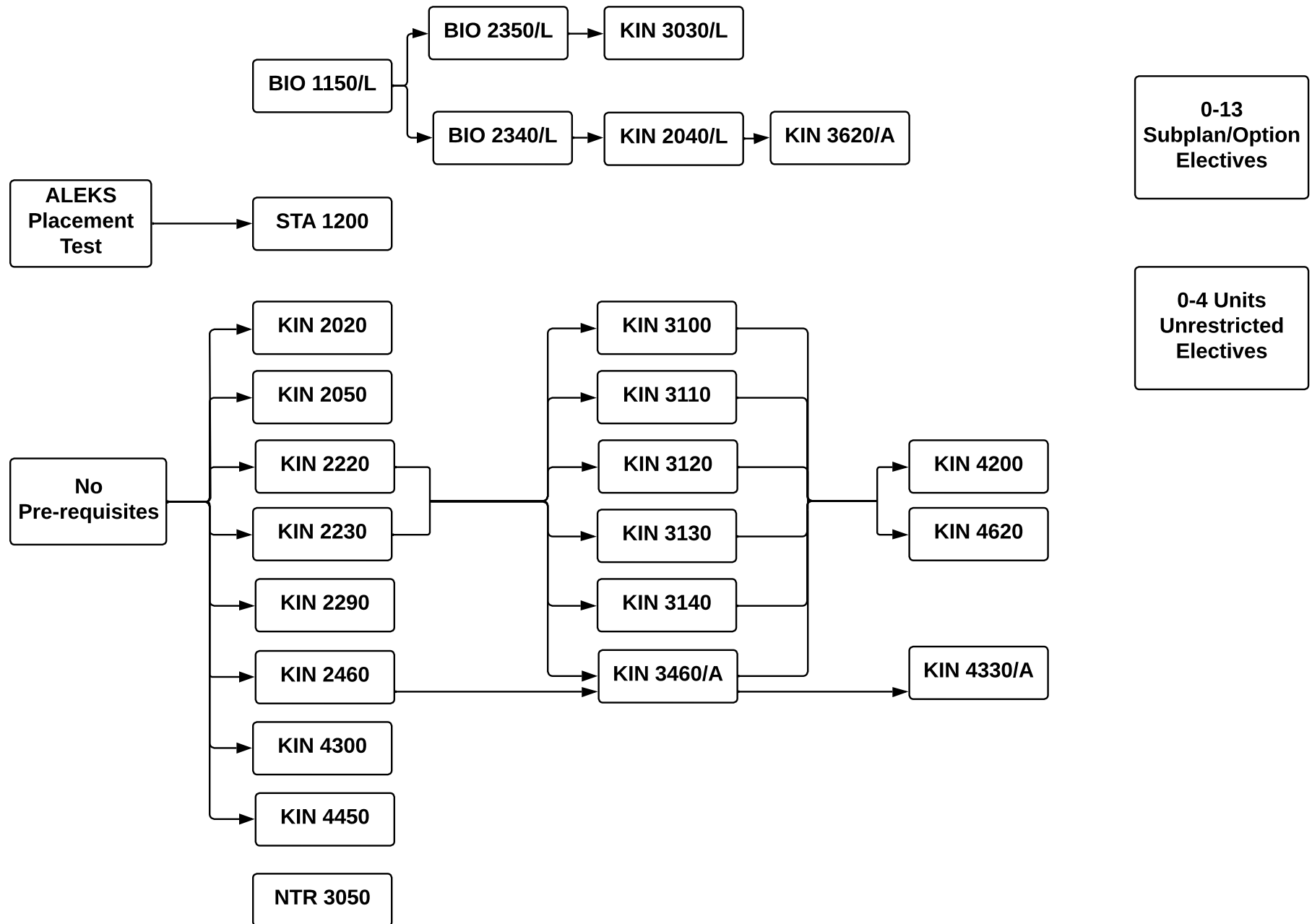
Geological Sciences



Kinesiology: General

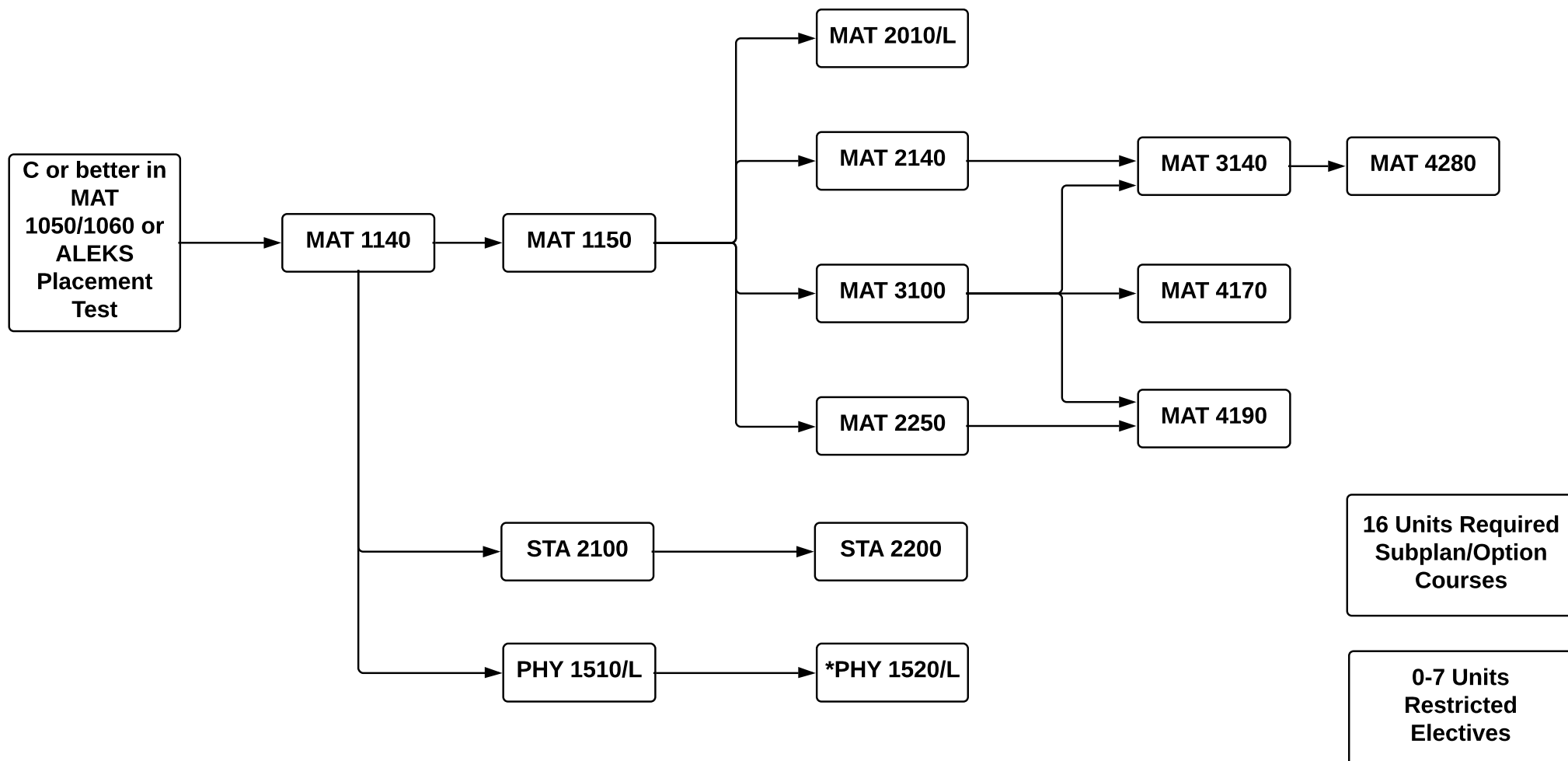


Kinesiology: Pedagogy



Mathematics

All Options

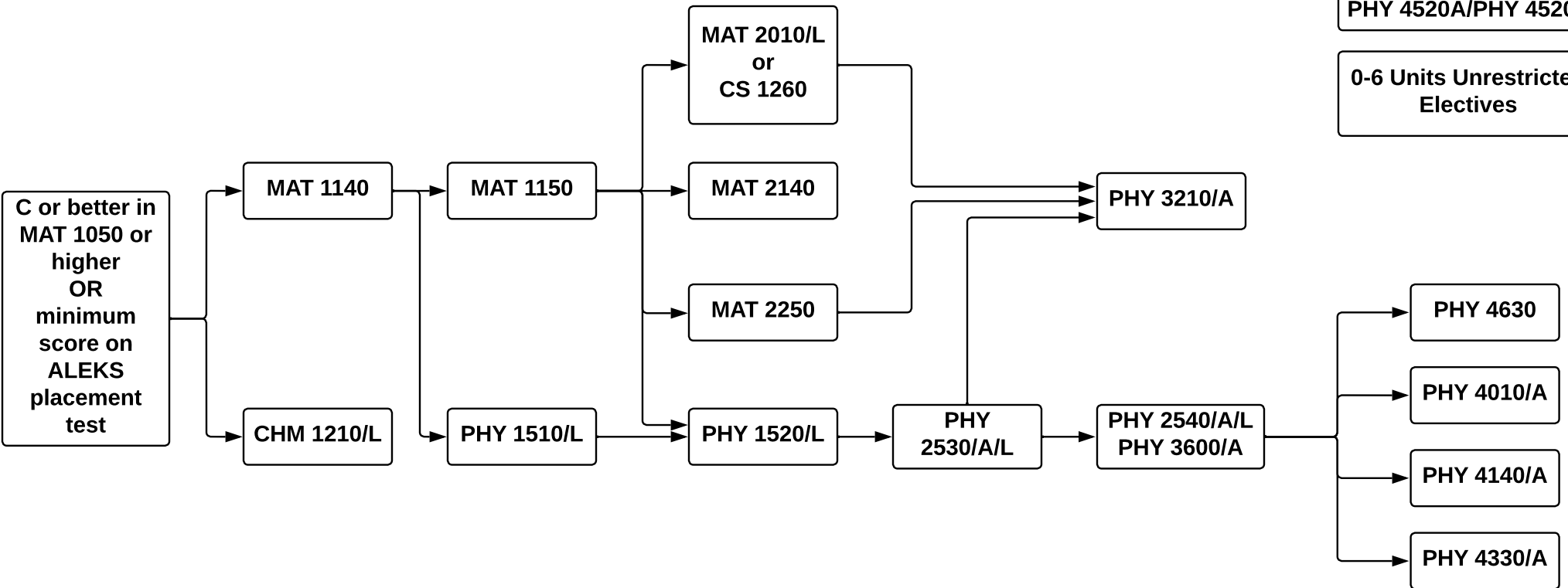


* If student takes BIO 1210/L and BIO 1220/L, then PHY 1520/L is not required. Recommended for students who are interested in biostatistics or mathematical biology.

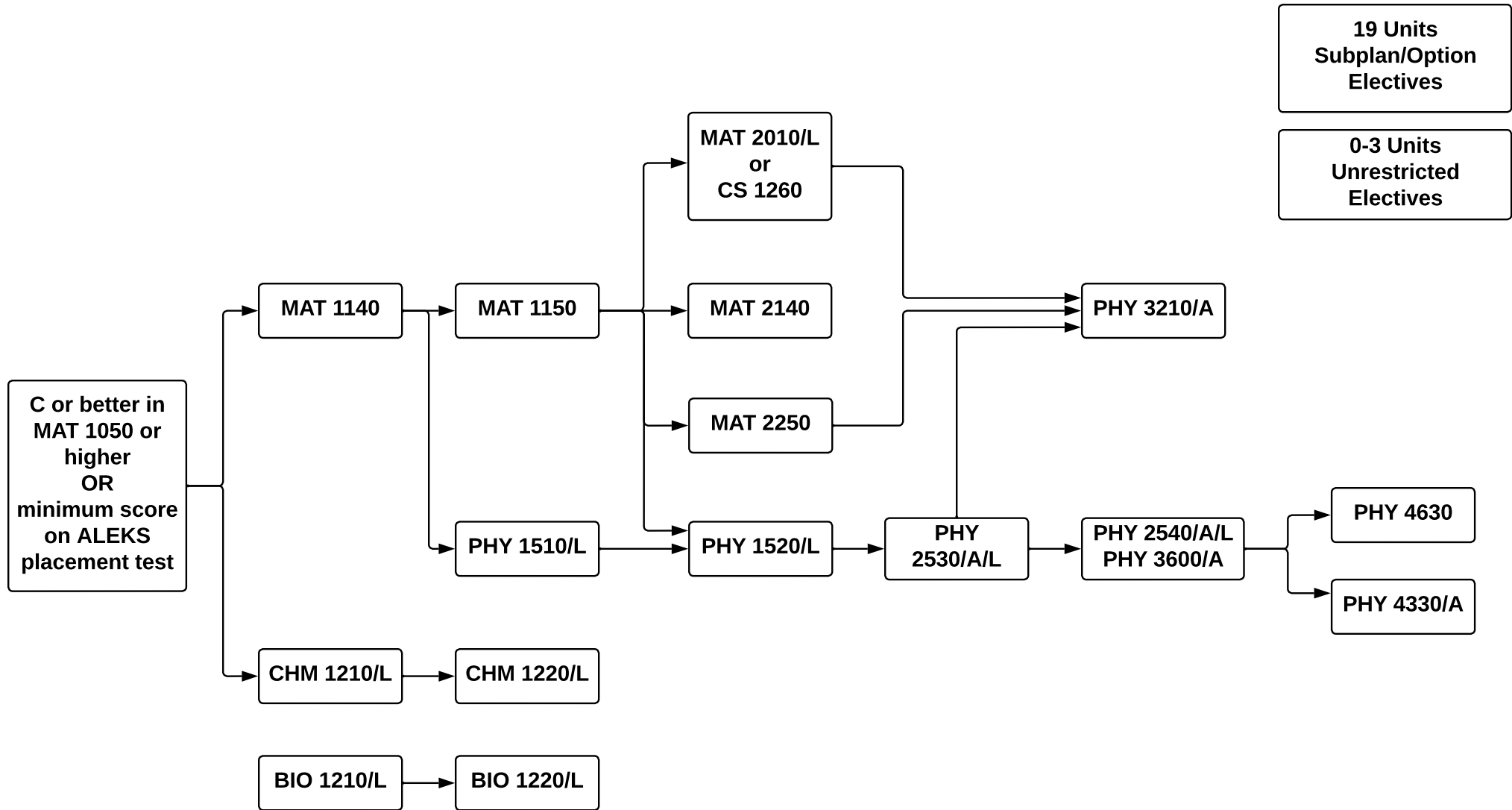
Physics: General

14 Units Subplan
 Option/Electives;
 at least 2 units from
 PHY 4510A/PHY 4510L
 or from
 PHY 4520A/PHY 4520L

0-6 Units Unrestricted
 Electives



Physics: Biophysics



Physics: Integrated Science

