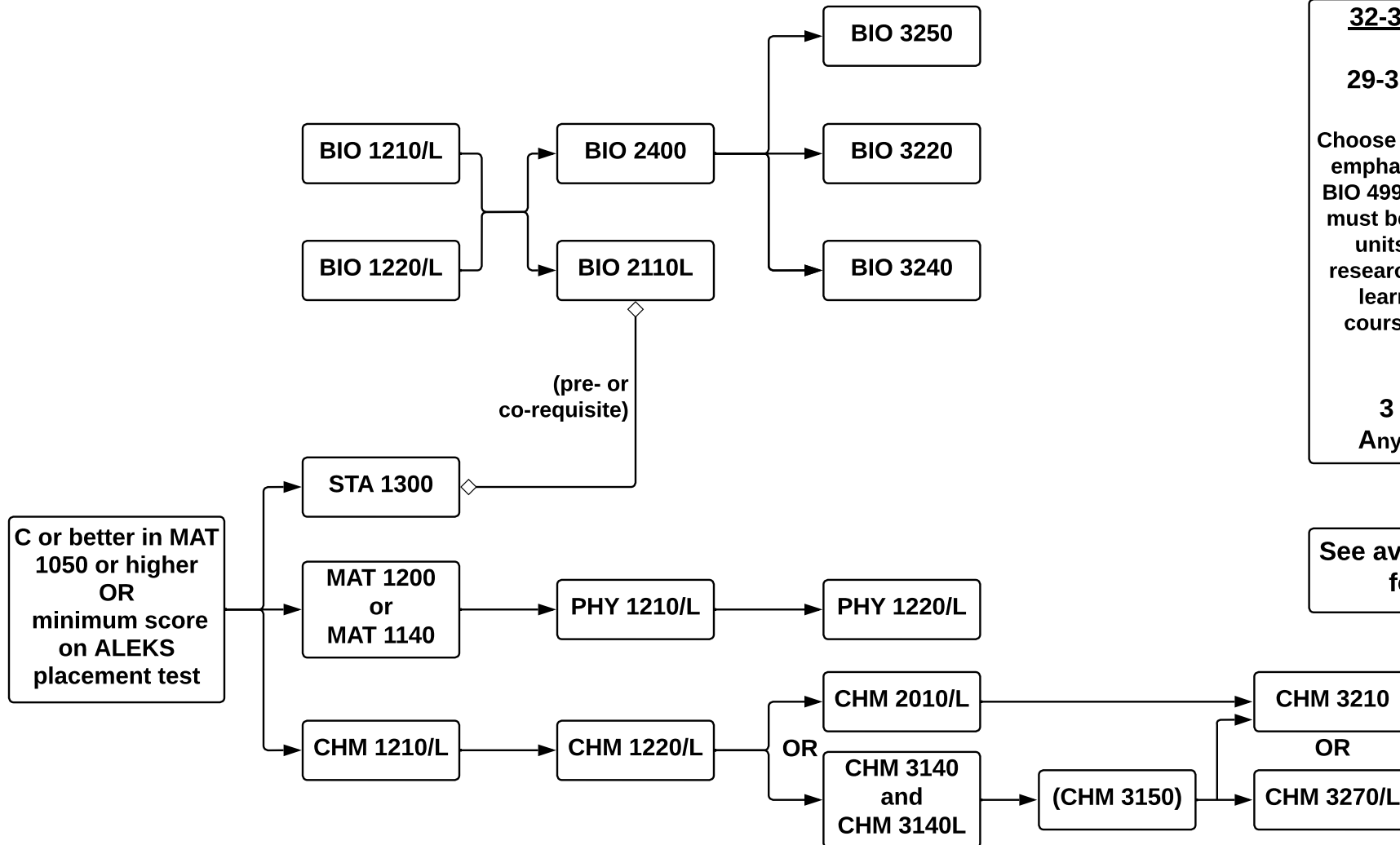


2024-2025  
College of Science  
Flow Charts

*The*  
College of Science



# General Biology



**32-34 Major Electives**

**29-31 Units Emphasis Electives**  
 Choose any course from the six emphases or BIO 2990/A/L or BIO 4990/A/L. At least 12 units must be at 4000-level. Up to 4 units combined from the research supervisory, service learning, and internship courses may count toward electives.

**3 Units of B5 GE**  
 Any GE Area B5 course

See available BIO courses for GE Area B5

# General Biology

## Prerequisite Level 0

- BIO 1210/L
- BIO 1220/L
- C or better in MAT 1050 or higher OR minimum score on ALEKS placement test

## Prerequisite Level 1

- BIO 2110L  
Requires BIO 1210/L and BIO 1220/L, pre- or co-requisite STA 1300
- BIO 2400  
Requires BIO 1210/L and BIO 1220/L
- CHM 1210/L  
Requires C or better in MAT 1050 or higher OR minimum score on ALEKS placement test
- MAT 1140 or MAT 1200  
Requires C or better in MAT 1050 or higher OR minimum score on ALEKS placement test
- STA 1300  
Requires C or better in MAT 1050 or higher OR minimum score on ALEKS placement test

## Prerequisite Level 2

- BIO 3220  
Requires BIO 2400
- BIO 3240  
Requires BIO 2400
- BIO 3250  
Requires BIO 2400
- CHM 1220/L  
Requires CHM 1210/L
- PHY 1210/L  
Requires MAT 1140 or MAT 1200

## Prerequisite Level 3

- CHM 2010/L or CHM 3140 and CHM 3140L  
Requires CHM 1220/L
- PHY 1220/L  
Requires PHY 1210/L

## Prerequisite Level 4

- (CHM 3150)  
Only if not taking CHM 2010/L  
Requires CHM 3140 and CHM 3140L

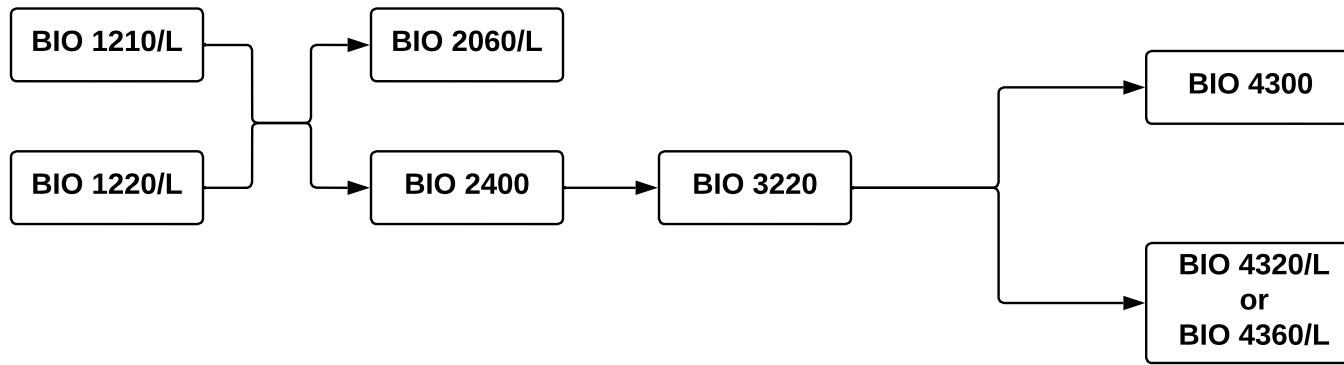
## Prerequisite Level 5

- CHM 3210 or CHM 3270/L  
CHM 3210 requires CHM 2010/L or CHM 3150  
CHM 3270/L requires CHM 3150

## Other Courses

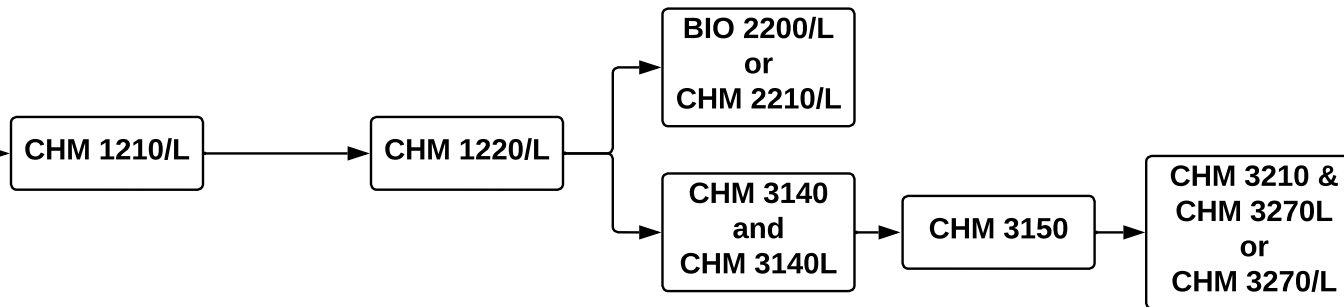
- 32-34 Major Electives
- 29-31 Units Emphasis Electives  
Choose any course from the six emphases or BIO 2990/A/L or BIO 4990/A/L. At least 12 units must be at 4000-level. Up to 4 units combined from the research supervisory, service learning, and internship courses may count toward electives.
- 3 Units of B5 GE  
Any GE Area B5 course. SEE available BIO courses for GE Area B5.

# Biotechnology



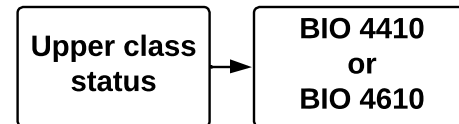
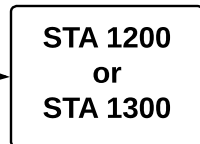
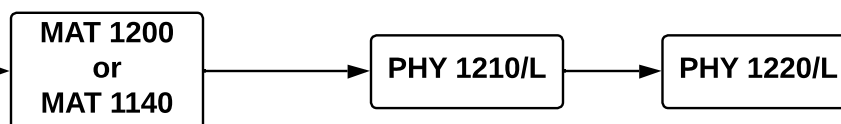
**20-21 Units Major Electives**

Choose any course from the five emphases & up to 3 units combined from the unused BIO 4410/4610, BIO 4000, or BIO 4620.



See available BIO courses for GE Area B5

C or better in MAT 1050 or higher OR minimum score on ALEKS placement test



If you take both BIO 2200/BIO 2200 L and CHM 2210/CHM 2210 L, or if you take both BIO 4320/BIO 4320L and BIO 4360/BIO 4360L, the extra credits could count towards your Major Electives units.

# Biotechnology

## Prerequisite Level 0

- BIO 1210/L
- BIO 1220/L
- C or better in MAT 1050 or higher OR minimum score on ALEKS placement test

## Prerequisite Level 1

- BIO 2060/L  
Requires BIO 1210/L and BIO 1220/L
- BIO 2400  
Requires BIO 1210/L and BIO 1220/L
- BIO 4410 or BIO 4610  
Requires upper class status
- CHM 1210/L  
Requires C or better in MAT 1050 or higher OR minimum score on ALEKS placement test
- MAT 1140 or MAT 1200  
Requires C or better in MAT 1050 or higher OR minimum score on ALEKS placement test
- STA 1200 or STA 1300  
Requires C or better in MAT 1050 or higher OR minimum score on ALEKS placement test

## Prerequisite Level 2

- BIO 3220  
Requires BIO 2400
- CHM 1220/L  
Requires CHM 1210/L
- PHY 1210/L  
Requires MAT 1140 or MAT 1200

## Prerequisite Level 3

- BIO 2200/L or CHM 2210/L  
Requires CHM 1220/L
- BIO 4300  
Requires BIO 3220
- BIO 4320/L or BIO 4360/L  
Requires BIO 3220
- CHM 3140 and CHM 3140L  
Requires CHM 1220/L
- PHY 1220/L  
Requires PHY 1210/L

## Prerequisite Level 4

- CHM 3150  
Requires CHM 3140 and CHM 3140L

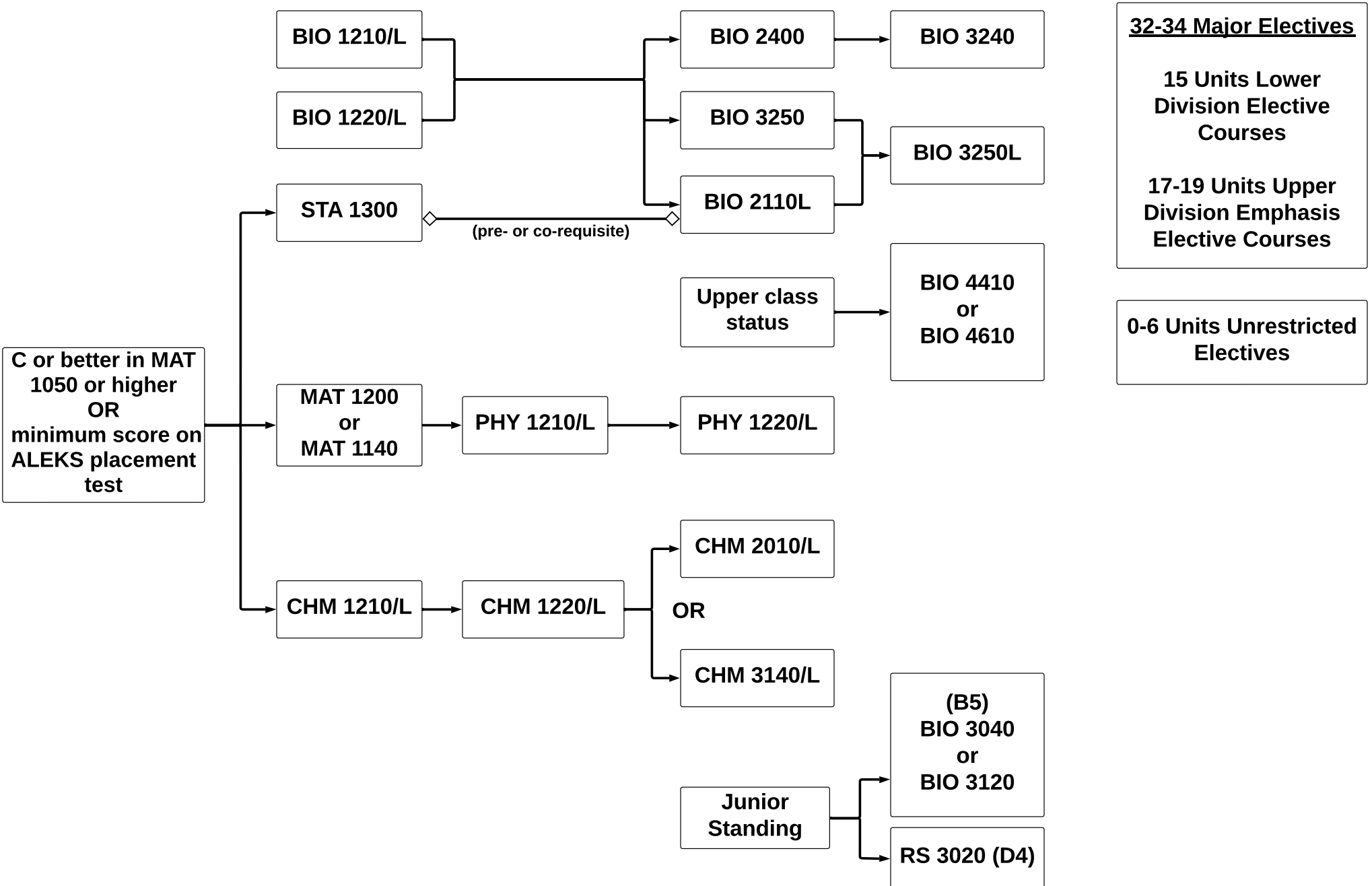
## Prerequisite Level 5

- CHM 3210 and CHM 3270L or CHM 3270/L  
Requires CHM 3150

## Other Courses

- 20-21 Units Major Electives  
Choose any course from the five emphases & up to 3 units combined from the unused BIO 4410/4610, BIO 4000, or BIO 4620.
- See available BIO courses for GE Area B5
- If you take both BIO 2200/BIO 2200L and CHM 2210/CHM 2210L, or if you take both BIO 4320/BIO 4320L and BIO 4360/BIO 4360L, the extra credits could count towards your Major Electives units.

# Environmental Biology



**32-34 Major Electives**

15 Units Lower Division Elective Courses

17-19 Units Upper Division Emphasis Elective Courses

0-6 Units Unrestricted Electives

# Environmental Biology

## Prerequisite Level 0

- BIO 1210/L
- BIO 1220/L
- C or better in MAT 1050 or higher OR minimum score on ALEKS placement test

## Prerequisite Level 1

- BIO 2110L  
Requires BIO 1210/L and BIO 1220/L, pre- or co-requisite STA 1300
- BIO 2400  
Requires BIO 1210/L and BIO 1220/L
- BIO 3040 or BIO 3120 (B5)  
Requires junior standing
- BIO 3250  
Requires BIO 1210/L and BIO 1220/L
- BIO 4410 or BIO 4610  
Requires upper class status
- CHM 1210/L  
Requires C or better in MAT 1050 or higher OR minimum score on ALEKS placement test
- MAT 1200 or MAT 1140  
Requires C or better in MAT 1050 or higher OR minimum score on ALEKS placement test
- RS 3020 (D4)  
Requires junior standing
- STA 1300  
Requires C or better in MAT 1050 or higher OR minimum score on ALEKS placement test

## Prerequisite Level 2

- BIO 3240  
Requires BIO 2400
- BIO 3250L  
Requires BIO 2110L and BIO 3250
- CHM 1220/L  
Requires CHM 1210/L
- PHY 1210/L  
Requires MAT 1140 or MAT 1200

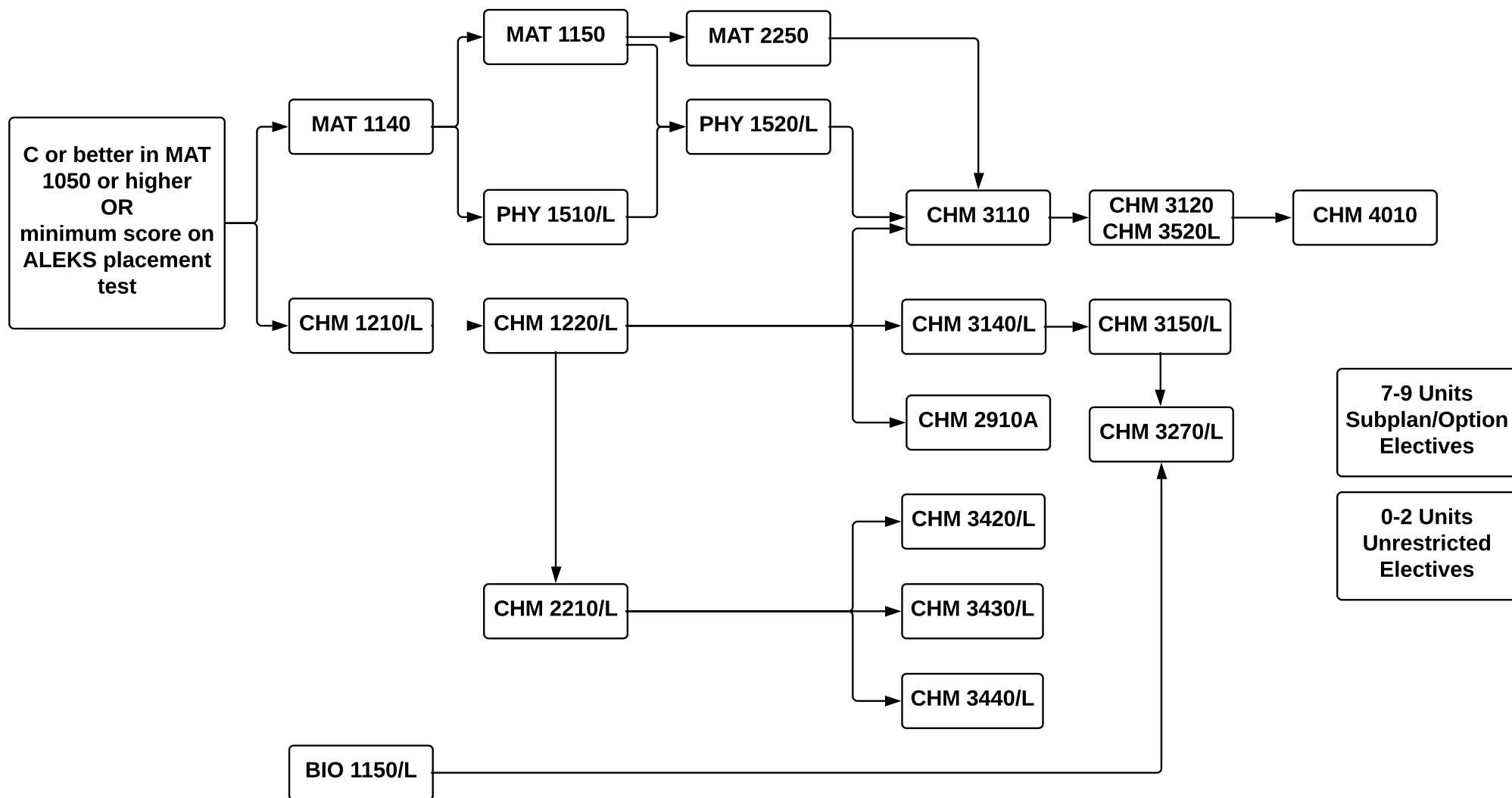
## Prerequisite Level 3

- CHM 2010/L or CHM 3140/L  
Requires CHM 1220/L
- PHY 1220/L  
Requires PHY 1210/L

## Other Courses

- 32-34 Major Electives
  - 15 Units Lower Division Elective Courses
  - 17-19 Units Upper Division Emphasis Elective Courses
- 0-6 Units Unrestricted Electives

# Chemistry: ACS



# Chemistry: ACS

## Prerequisite Level 0

- BIO 1150/L
- C or better in MAT 1050 or higher OR minimum score on ALEKS placement test

## Prerequisite Level 1

- CHM 1210/L  
Requires C or better in MAT 1050 or higher OR minimum score on ALEKS placement test
- MAT 1140  
Requires C or better in MAT 1050 or higher OR minimum score on ALEKS placement test

## Prerequisite Level 2

- CHM 1220/L  
Requires CHM 1210/L
- MAT 1150  
Requires MAT 1140
- PHY 1510/L  
Requires MAT 1140

## Prerequisite Level 3

- CHM 2210/L  
Requires CHM 1220/L
- CHM 2910A  
Requires CHM 1220/L
- CHM 3140/L  
Requires CHM 1220/L
- MAT 2250  
Requires MAT 1150
- PHY 1520/L  
Requires MAT 1150 and PHY 1510/L

## Prerequisite Level 4

- CHM 3110  
Requires CHM 1220/L, MAT 2250, and PHY 1520/L
- CHM 3150/L  
Requires CHM 3140/L
- CHM 3420/L  
Requires CHM 2210/L
- CHM 3430/L  
Requires CHM 2210/L
- CHM 3440/L  
Requires CHM 2210/L

## Prerequisite Level 5

- CHM 3120 and CHM 3520L  
Requires CHM 3110
- CHM 3270/L  
Requires BIO 1150/L and CHM 3150/L

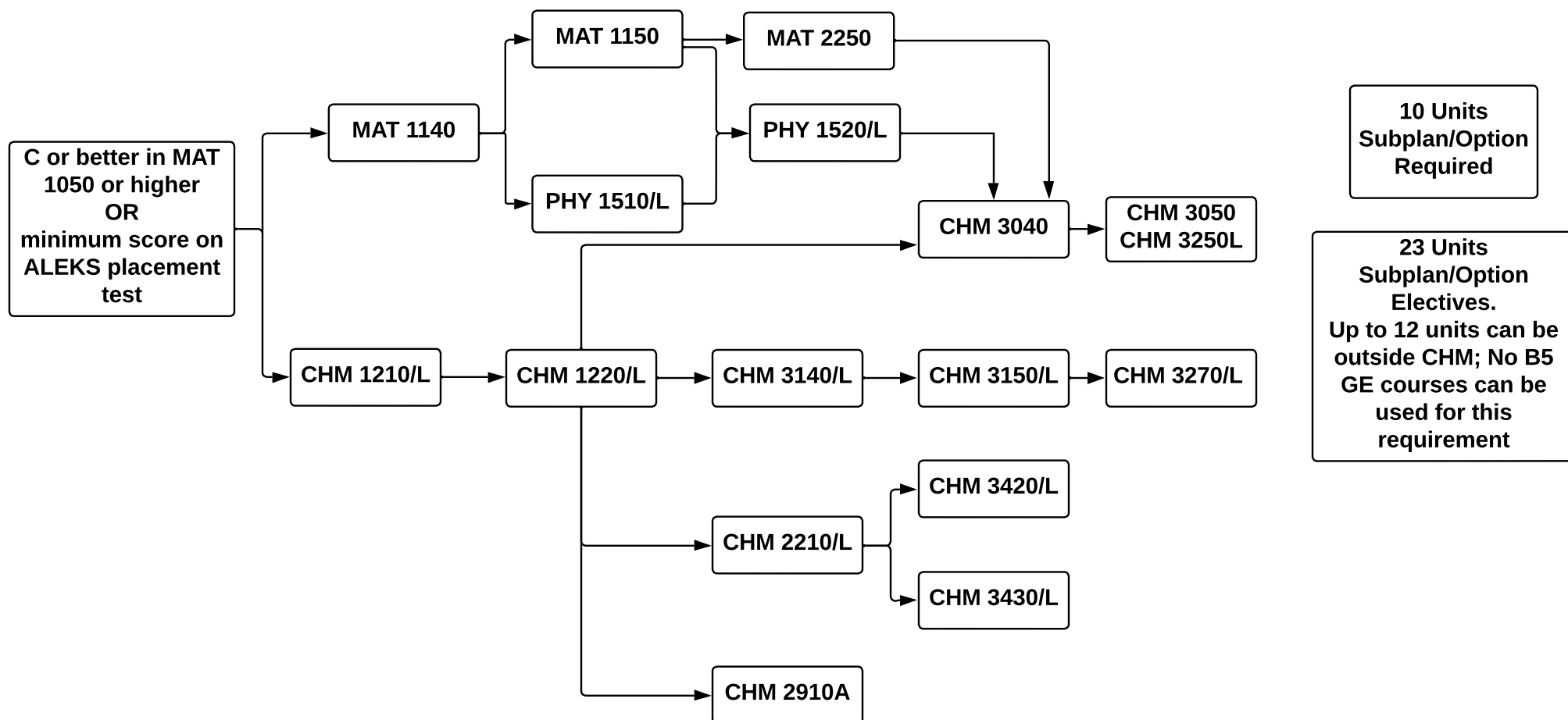
## Prerequisite Level 6

- CHM 4010  
Requires CHM 3120 and CHM 3520L

## Other Courses

- 7-9 Units Subplan/Option Electives
- 0-2 Units Unrestricted Electives

# Chemistry: General



**10 Units  
 Subplan/Option  
 Required**

**23 Units  
 Subplan/Option  
 Electives.  
 Up to 12 units can be  
 outside CHM; No B5  
 GE courses can be  
 used for this  
 requirement**

# Chemistry: General

## Prerequisite Level 0

- C or better in MAT 1050 or higher OR minimum score on ALEKS placement test

## Prerequisite Level 1

- CHM 1210/L  
Requires C or better in MAT 1050 or higher OR minimum score on ALEKS placement test
- MAT 1140  
Requires C or better in MAT 1050 or higher OR minimum score on ALEKS placement test

## Prerequisite Level 2

- CHM 1220/L  
Requires CHM 1210/L
- MAT 1150  
Requires MAT 1140
- PHY 1510/L  
Requires MAT 1140

## Prerequisite Level 3

- CHM 2210/L  
Requires CHM 1220/L
- CHM 2910A  
Requires CHM 1220/L
- CHM 3140/L  
Requires CHM 1220/L
- MAT 2250  
Requires MAT 1150
- PHY 1520/L  
Requires MAT 1150 and PHY 1510/L

## Prerequisite Level 4

- CHM 3040  
Requires CHM 1220/L, MAT 2250, and PHY 1520/L
- CHM 3150/L  
Requires CHM 3140/L
- CHM 3420/L  
Requires CHM 2210/L
- CHM 3430/L  
Requires CHM 2210/L

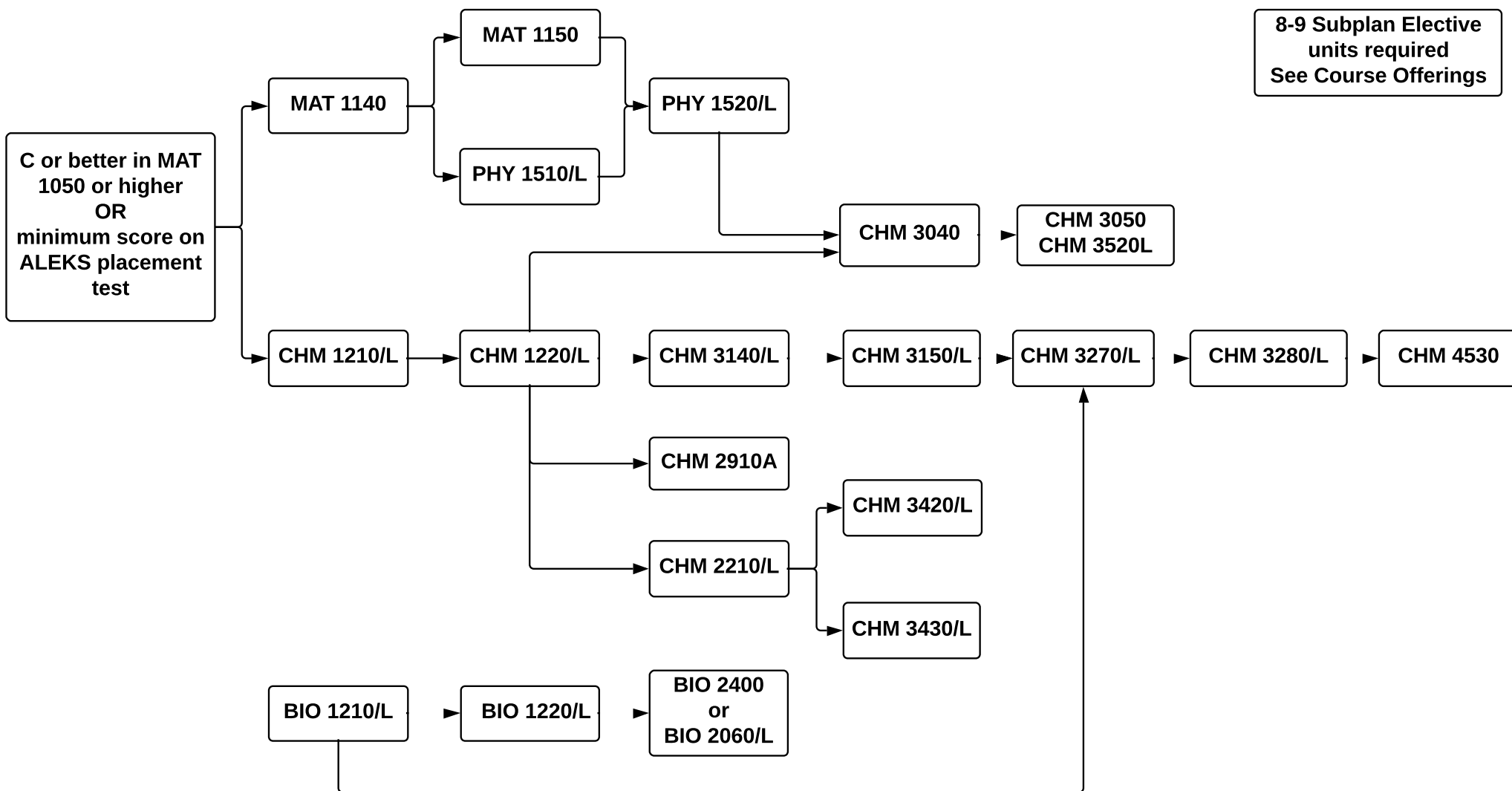
## Prerequisite Level 5

- CHM 3050 and CHM 3250L  
Requires CHM 3040
- CHM 3270/L  
Requires CHM 3150/L

## Other Courses

- 10 Units Subplan/Option Required
- 23 Units Subplan/Option Electives  
Up to 12 units can be outside CHM;  
No B5 GE courses can be used for this requirement

# Chemistry: Biochemistry



# Chemistry: Biochemistry

## Prerequisite Level 0

- BIO 1210/L
- C or better in MAT 1050 or higher OR minimum score on ALEKS placement test

## Prerequisite Level 1

- BIO 1220/L  
Requires BIO 1210/L
- CHM 1210/L  
Requires C or better in MAT 1050 or higher OR minimum score on ALEKS placement test
- MAT 1140  
Requires C or better in MAT 1050 or higher OR minimum score on ALEKS placement test

## Prerequisite Level 2

- BIO 2060/L or BIO 2400  
Requires BIO 1220/L
- CHM 1220/L  
Requires CHM 1210/L
- MAT 1150  
Requires MAT 1140
- PHY 1510/L  
Requires MAT 1140

## Prerequisite Level 3

- CHM 2210/L  
Requires CHM 1220/L
- CHM 2910A  
Requires CHM 1220/L
- CHM 3140/L  
Requires CHM 1220/L
- PHY 1520/L  
Requires MAT 1150 and PHY 1510/L

## Prerequisite Level 4

- CHM 3040  
Requires CHM 1220/L and PHY 1520/L
- CHM 3150/L  
Requires CHM 3140/L
- CHM 3420/L  
Requires CHM 2210/L
- CHM 3430/L  
Requires CHM 2210/L

## Prerequisite Level 5

- CHM 3050 and CHM 3520L  
Requires CHM 3040
- CHM 3270/L  
Requires BIO 1210/L and CHM 3150/L

## Prerequisite Level 6

- CHM 3280/L  
Requires CHM 3270/L

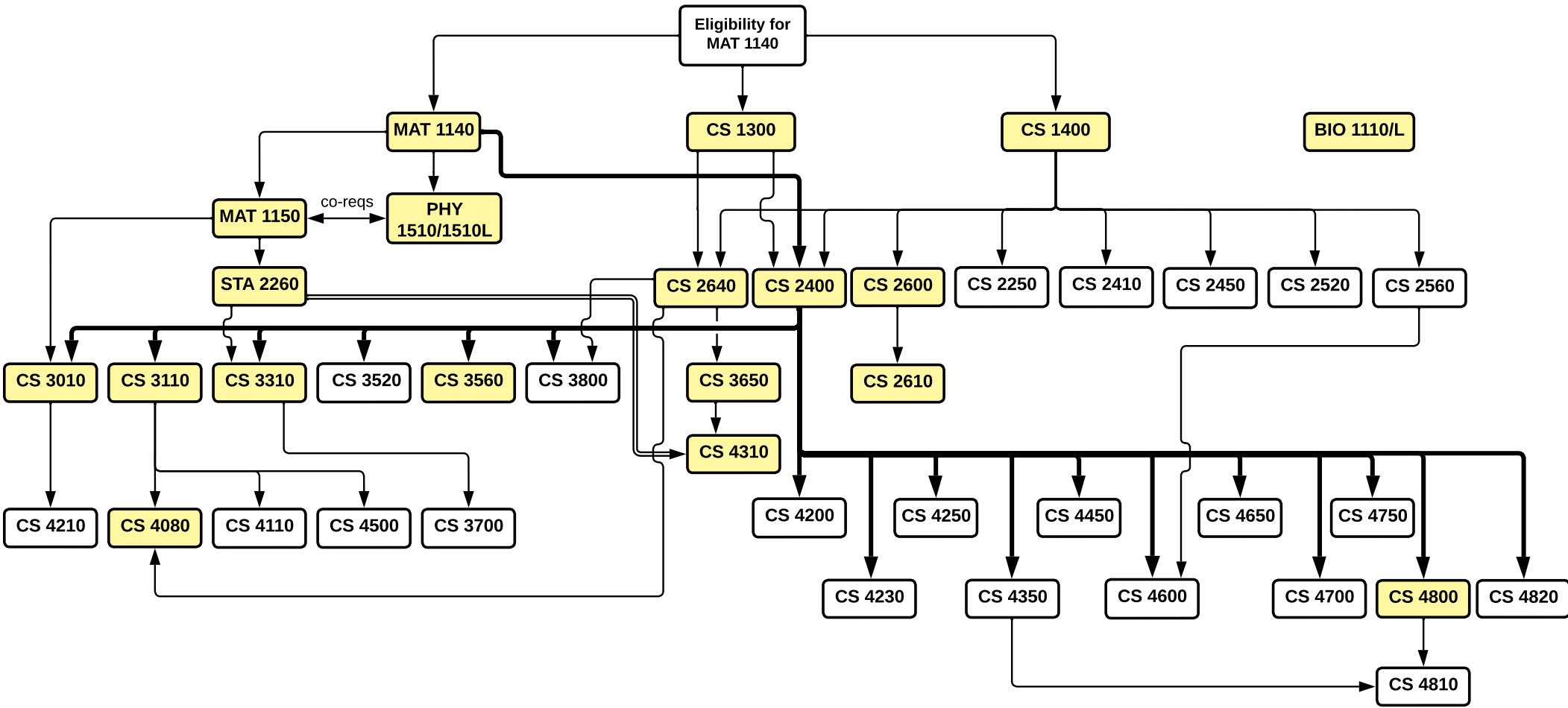
## Prerequisite Level 7

- CHM 4530  
Requires CHM 3280/L

## Other Courses

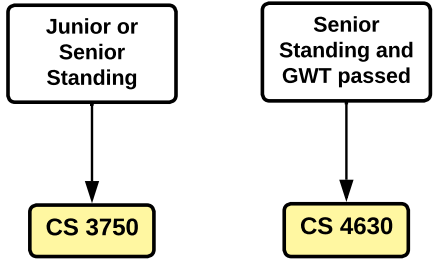
- 8-9 Subplan Elective units required  
See course offerings

# Computer Science



**67 Major Units Required**  
 Highlighted by yellow boxes

**17 Elective Units Required**  
 Elective courses to be chosen from among the white boxes



# Computer Science

## Prerequisite Level 0

- BIO 1110/L
- Eligibility for MAT 1140

## Prerequisite Level 1

- CS 1300  
Requires eligibility for MAT 1140
- CS 1400  
Requires eligibility for MAT 1140
- CS 3750  
Requires junior or senior standing
- CS 4630  
Requires senior standing and GWT passed
- MAT 1140  
Requires eligibility for MAT 1140

## Prerequisite Level 2

- CS 2400  
Requires CS 1300, CS 1400, and MAT 1140
- CS 2600  
Requires CS 1400
- CS 2640  
Requires CS 1300 and CS 1400
- MAT 1150  
Requires MAT 1140  
Co-requisite PHY 1510/1510L
- PHY 1510/1510L  
Requires MAT 1140, co-requisite MAT 1150

## Prerequisite Level 3

- CS 2610  
Requires CS 2600
- CS 3010  
Requires CS 2400 and MAT 1150
- CS 3110  
Requires CS 2400
- CS 3560  
Requires CS 2400
- CS 3650  
Requires CS 2640
- CS 4800  
Requires CS 2400
- STA 2260  
Requires MAT 1150

## Prerequisite Level 4

- CS 3310  
Requires CS 2400 and STA 2260
- CS 4080  
Requires CS 2640 and CS 3110
- CS 4310  
Requires CS 3650 and STA 2260

## Electives

### *Prerequisite Level 2*

- CS 2250  
Requires CS 1400
- CS 2410  
Requires CS 1400
- CS 2450  
Requires CS 1400
- CS 2520  
Requires CS 1400
- CS 2560  
Requires CS 1400

### *Prerequisite Level 3*

- CS 3520  
Requires CS 2400
- CS 3800  
Requires CS 2400 and CS 2640
- CS 4200  
Requires CS 2400
- CS 4230  
Requires CS 2400
- CS 4250  
Requires CS 4200
- CS 4350  
Requires CS 2400
- CS 4450  
Requires CS 2400
- CS 4600  
Requires CS 2400 and CS 2560

- CS 4650  
Requires CS 2400
- CS 4700  
Requires CS 2400
- CS 4750  
Requires CS 2400
- CS 4820  
Requires CS 2400

### *Prerequisite Level 4*

- CS 4110  
Requires CS 3110
- CS 4210  
Requires CS 3010
- CS 4500  
Requires CS 3110
- CS 4810  
Requires CS 4350 and CS 4800

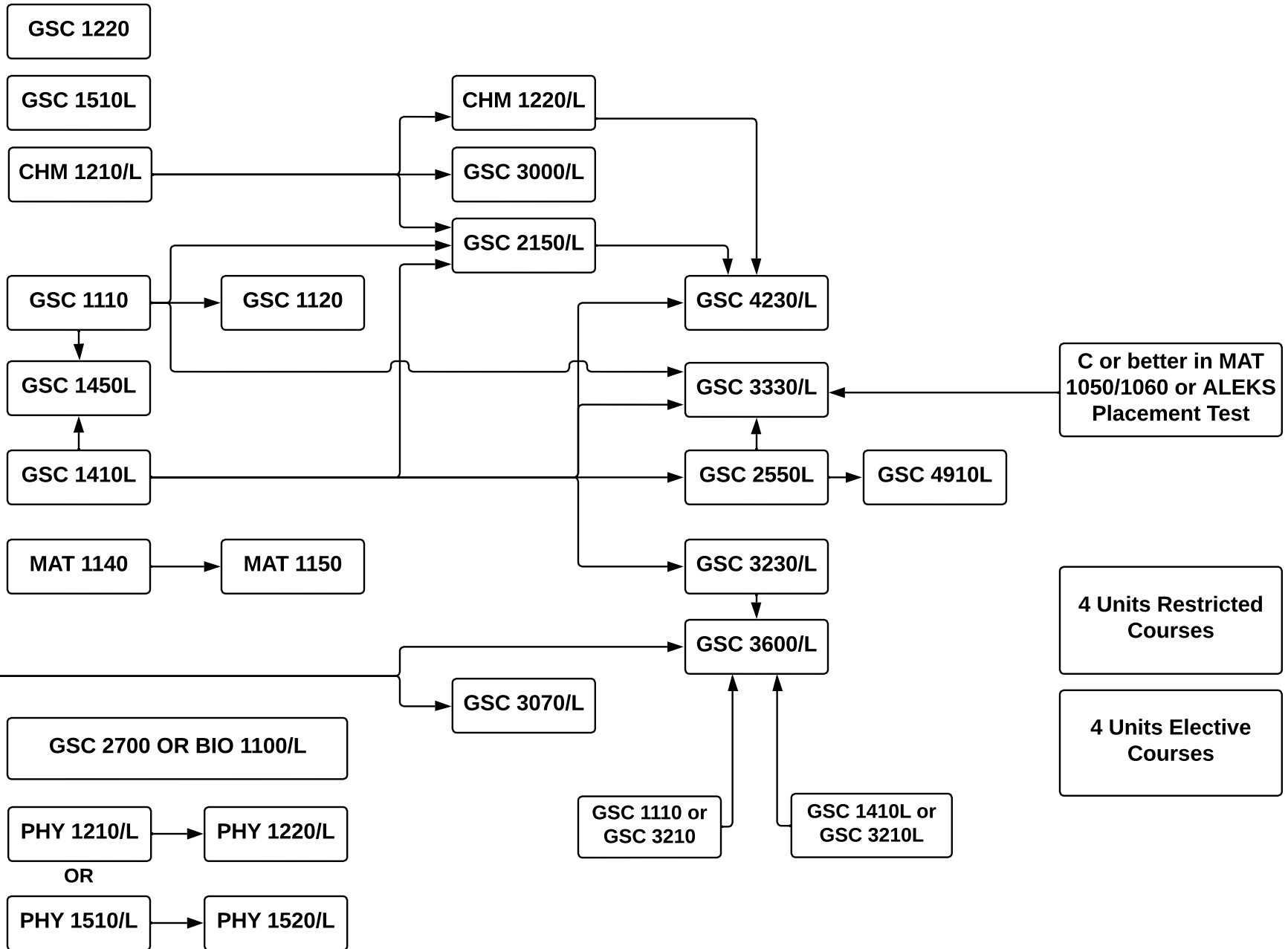
### *Prerequisite Level 5*

- CS 3700  
Requires CS 3310

## Other Courses

- 67 Major Units Required
- 17 Elective Units Required

# Geological Sciences



# Geological Sciences

## Prerequisite Level 0

- CHM 1210/L
- GSC 1110
- GSC 1220
- GSC 1410L
- GSC 1510L
- GSC 2700 or BIO 1100/L
- MAT 1140
- PHY 1210/L or PHY 1510/L
- C or better in MAT 1050/1060 or ALEKS Placement Test

## Prerequisite Level 1

- CHM 1220/L  
Requires CHM 1210/L
- GSC 1120  
Requires GSC 1110
- GSC 1450L  
Requires GSC 1110 and GSC 1410L
- GSC 2150/L  
Requires CHM 1210/L, GSC 1110, and GSC 1410L
- GSC 2550L  
Requires GSC 1410L
- GSC 3000/L  
Requires CHM 1210/L
- GSC 3070/L  
Requires C or better in MAT 1050/1060 or ALEKS Placement Test
- GSC 3230/L  
Requires GSC 1410L
- MAT 1150  
Requires MAT 1140
- PHY 1220/L or PHY 1520/L  
PHY 1220/L requires PHY 1210/L  
PHY 1520/L requires PHY 1510/L

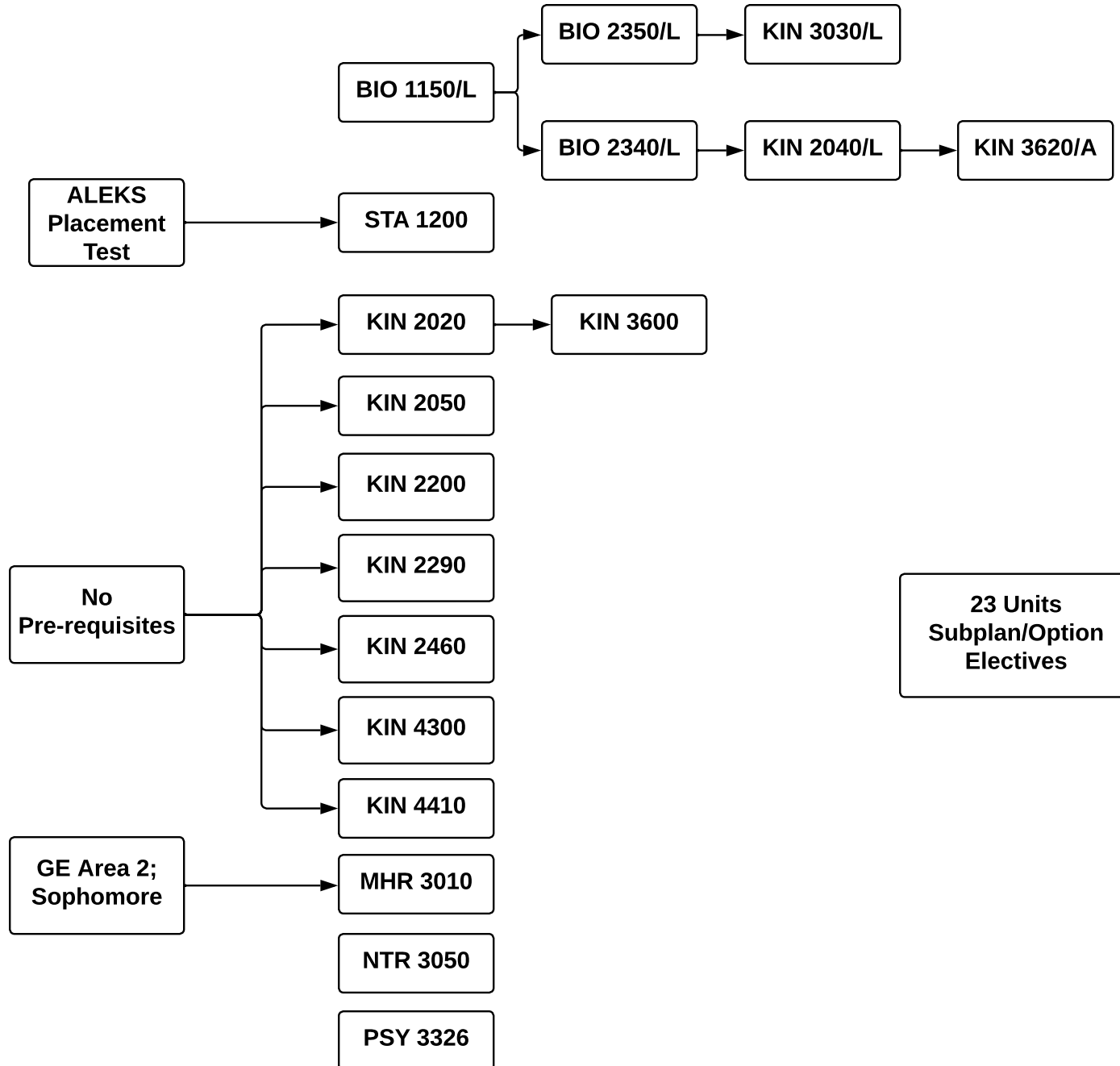
## Prerequisite Level 2

- GSC 3330/L  
Requires GSC 1110, GSC 1410L, GSC 2550L, and C or better in MAT 1050/1060 or ALEKS Placement Test
- GSC 3600/L  
Requires GSC 1110 or GSC 3210, GSC 1410L or GSC 3210L, GSC 3230/L, and C or better in MAT 1050/1060 or ALEKS Placement Test
- GSC 4230/L  
Requires CHM 1220/L, GSC 1410L, and GSC 2150/L
- GSC 4910L  
Requires GSC 2550L

## Other Courses

- 4 Units Restricted Courses
- 4 Units Elective Courses

# Kinesiology: General



# Kinesiology: General

## Prerequisite Level 0

- BIO 1150/L
- KIN 2020
- KIN 2050
- KIN 2200
- KIN 2290
- KIN 2460
- KIN 4300
- KIN 4410
- NTR 3050
- PSY 3326
- ALEKS Placement Test
- GE Area 2

## Prerequisite Level 1

- BIO 2340/L  
Requires BIO 1150/L
- BIO 2350/L  
Requires BIO 1150/L
- KIN 3600  
Requires KIN 2020
- MHR 3010  
Requires GE Area 2 and sophomore standing
- STA 1200  
Requires ALEKS Placement Test

## Prerequisite Level 2

- KIN 2040/L  
Requires BIO 2340/L
- KIN 3030/L  
Requires BIO 2350/L

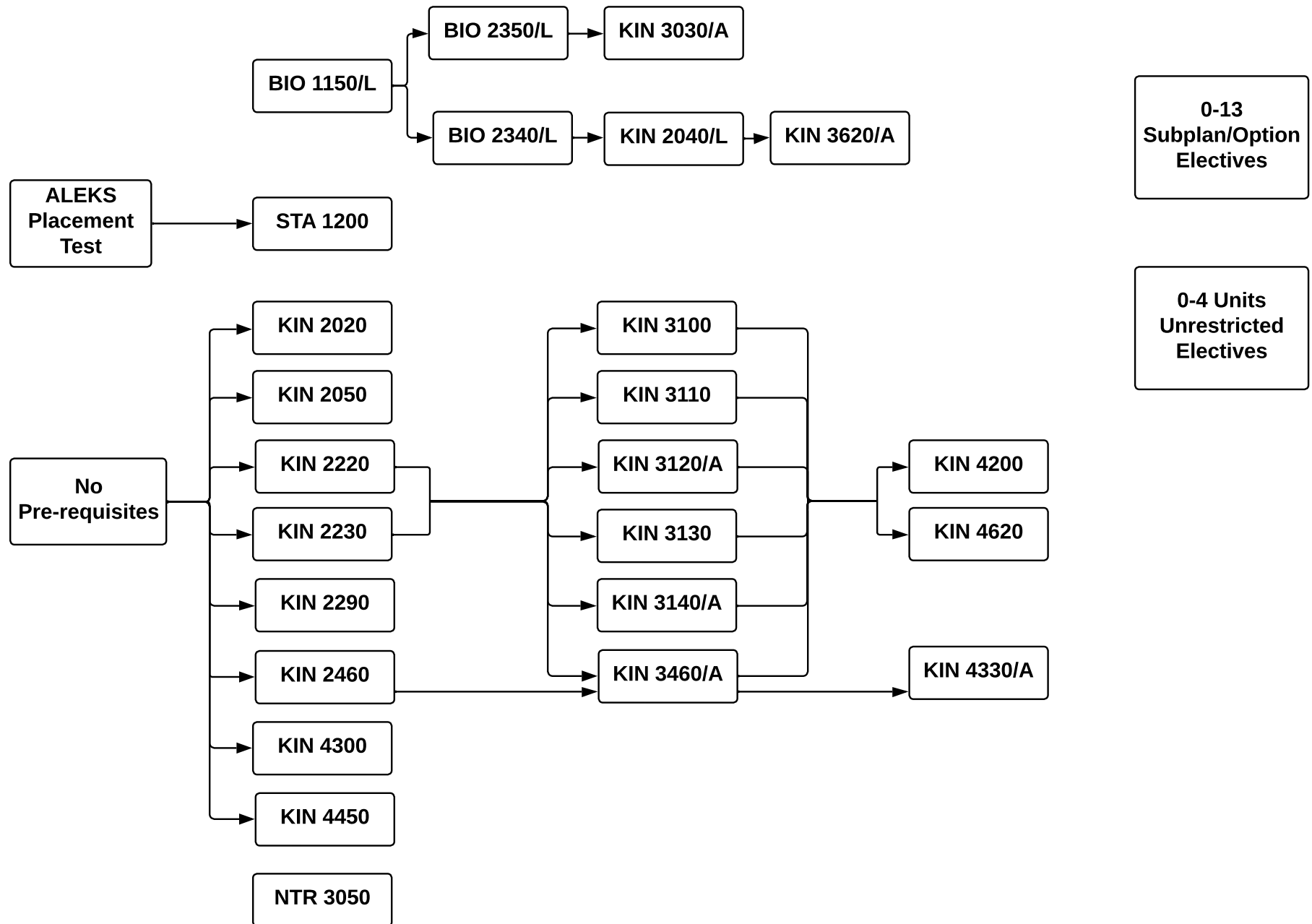
## Prerequisite Level 3

- KIN 3620/A  
Requires KIN 2040/L

## Other Courses

- 23 Units Subplan/Option Electives

# Kinesiology: Pedagogy



# Kinesiology: Pedagogy

## Prerequisite Level 0

- BIO 1150/L
- KIN 2020
- KIN 2050
- KIN 2220
- KIN 2230
- KIN 2290
- KIN 2460
- KIN 4300
- KIN 4450
- NTR 3050
- ALEKS Placement Test

## Prerequisite Level 1

- BIO 2340/L  
Requires BIO 1150/L
- BIO 2350/L  
Requires BIO 1150/L
- KIN 3100  
Requires KIN 2220 and KIN 2230
- KIN 3110  
Requires KIN 2220 and KIN 2230
- KIN 3120/A  
Requires KIN 2220 and KIN 2230
- KIN 3130  
Requires KIN 2220 and KIN 2230
- KIN 3140/A  
Requires KIN 2220 and KIN 2230
- KIN 3460/A  
Requires KIN 2220, KIN 2230, and KIN 2460
- STA 1200  
Requires ALEKS Placement Test

## Prerequisite Level 2

- KIN 2040/L  
Requires BIO 2340/L
- KIN 3030/A  
Requires BIO 2350/L
- KIN 4200  
Requires KIN 3100, KIN 3110, KIN 3120/A, KIN 3130, KIN 3140/A, and KIN 3460/A
- KIN 4330/A  
Requires KIN 3460/A
- KIN 4620  
Requires KIN 3100, KIN 3110, KIN 3120/A, KIN 3130, KIN 3140/A, and KIN 3460/A

## Prerequisite Level 3

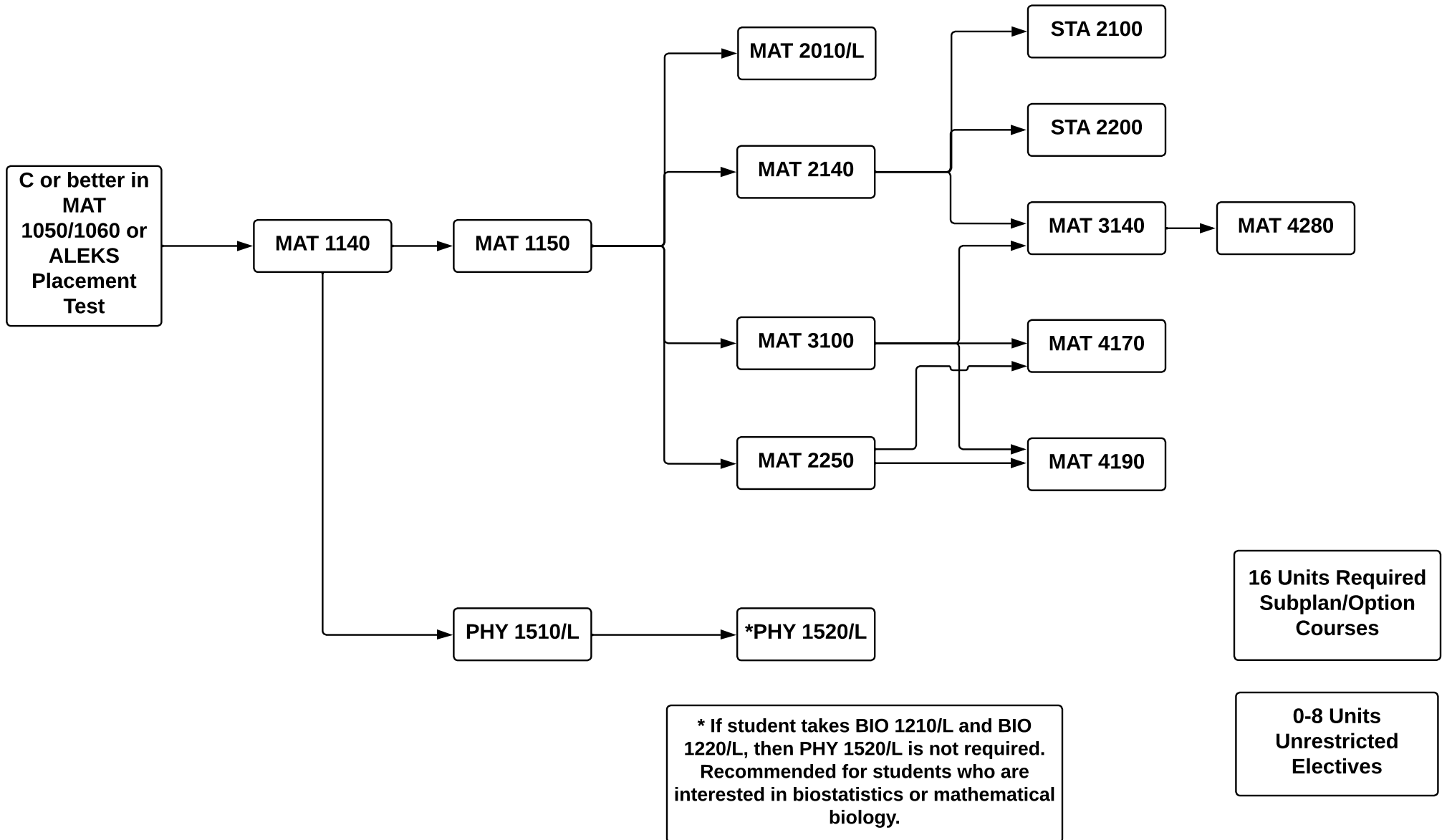
- KIN 3620/A  
Requires KIN 2040/L

## Other Courses

- 0-13 Subplan/Option Electives
- 0-4 Units Unrestricted Electives

# Mathematics

## All Options



# Mathematics: All Options

## Prerequisite Level 0

- C or better in MAT 1050/1060 or ALEKS Placement Test

## Prerequisite Level 1

- MAT 1140  
Requires C or better in MAT 1050/1060 or ALEKS Placement Test

## Prerequisite Level 2

- MAT 1150  
Requires MAT 1140
- PHY 1510/L  
Requires MAT 1140

## Prerequisite Level 3

- MAT 2010/L  
Requires MAT 1150
- MAT 2140  
Requires MAT 1150
- MAT 2250  
Requires MAT 1150
- MAT 3100  
Requires MAT 1150
- \*PHY 1520/L  
Requires PHY 1510/L

## Prerequisite Level 4

- MAT 3140  
Requires MAT 2140 and MAT 3100
- MAT 4170  
Requires MAT 2250 and MAT 3100
- MAT 4190  
Requires MAT 2250 and MAT 3100
- STA 2100  
Requires MAT 2140
- STA 2200  
Requires MAT 2140

## Prerequisite Level 5

- MAT 4280  
Requires MAT 3140

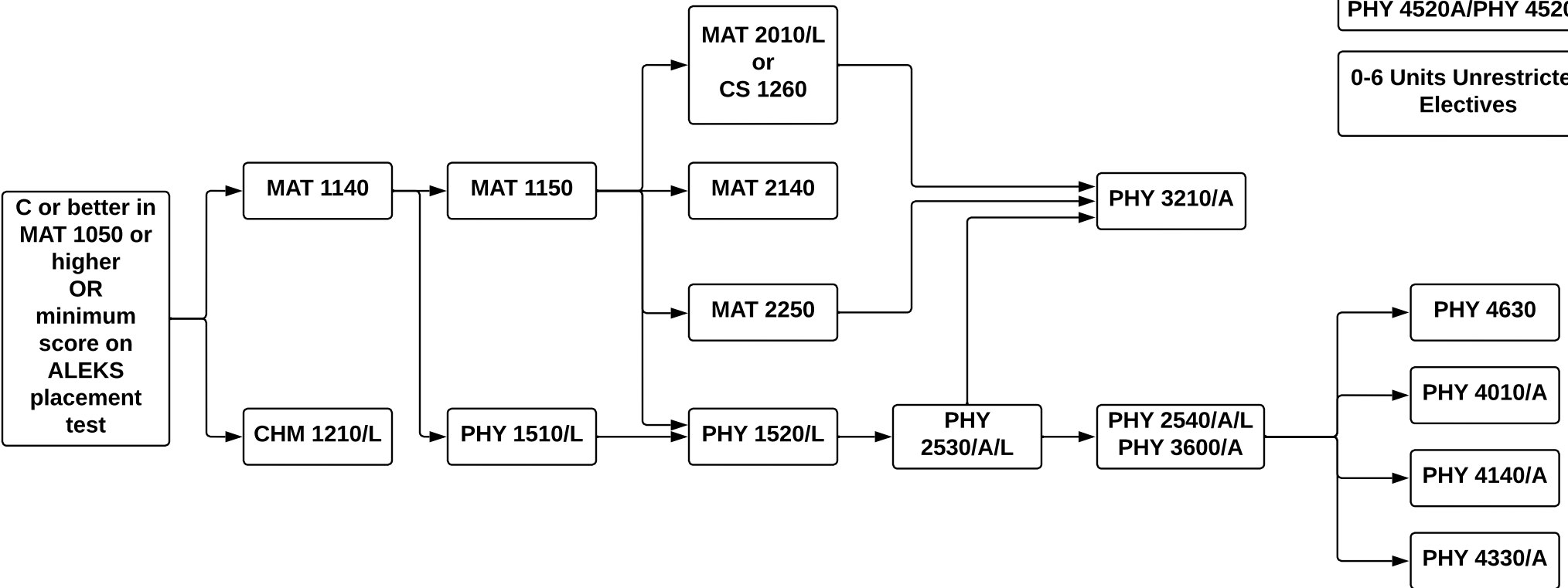
## Other Courses

- 16 Units Required  
Subplan/Option Courses
- 0-8 Units Unrestricted  
Electives
- \* If student takes BIO 1210/L and BIO 1220/L, then PHY 1520/L is not required.  
Recommended for students who are interested in biostatistics or mathematical biology.

# Physics: General

14 Units Subplan  
 Option/Electives;  
 at least 2 units from  
 PHY 4510A/PHY 4510L  
 or from  
 PHY 4520A/PHY 4520L

0-6 Units Unrestricted  
 Electives



# Physics: General

## Prerequisite Level 0

- C or better in MAT 1050 or higher OR minimum score on ALEKS placement test

## Prerequisite Level 1

- CHM 1210/L  
Requires C or better in MAT 1050 or higher OR minimum score on ALEKS placement test
- MAT 1140  
Requires C or better in MAT 1050 or higher OR minimum score on ALEKS placement test

## Prerequisite Level 2

- MAT 1150  
Requires MAT 1140
- PHY 1510/L  
Requires MAT 1140

## Prerequisite Level 3

- CS 1260 or MAT 2010/L  
Requires MAT 1150
- MAT 2140  
Requires MAT 1150
- MAT 2250  
Requires MAT 1150
- PHY 1520/L  
Requires MAT 1150 and PHY 1510/L

## Prerequisite Level 4

- PHY 2530/A/L  
Requires PHY 1520/L

## Prerequisite Level 5

- PHY 2540/A/L and PHY 3600/A  
Requires PHY 2530/A/L
- PHY 3210/A  
Requires CS 1260 or MAT 2010/L, MAT 2250, and PHY 2530/A/L

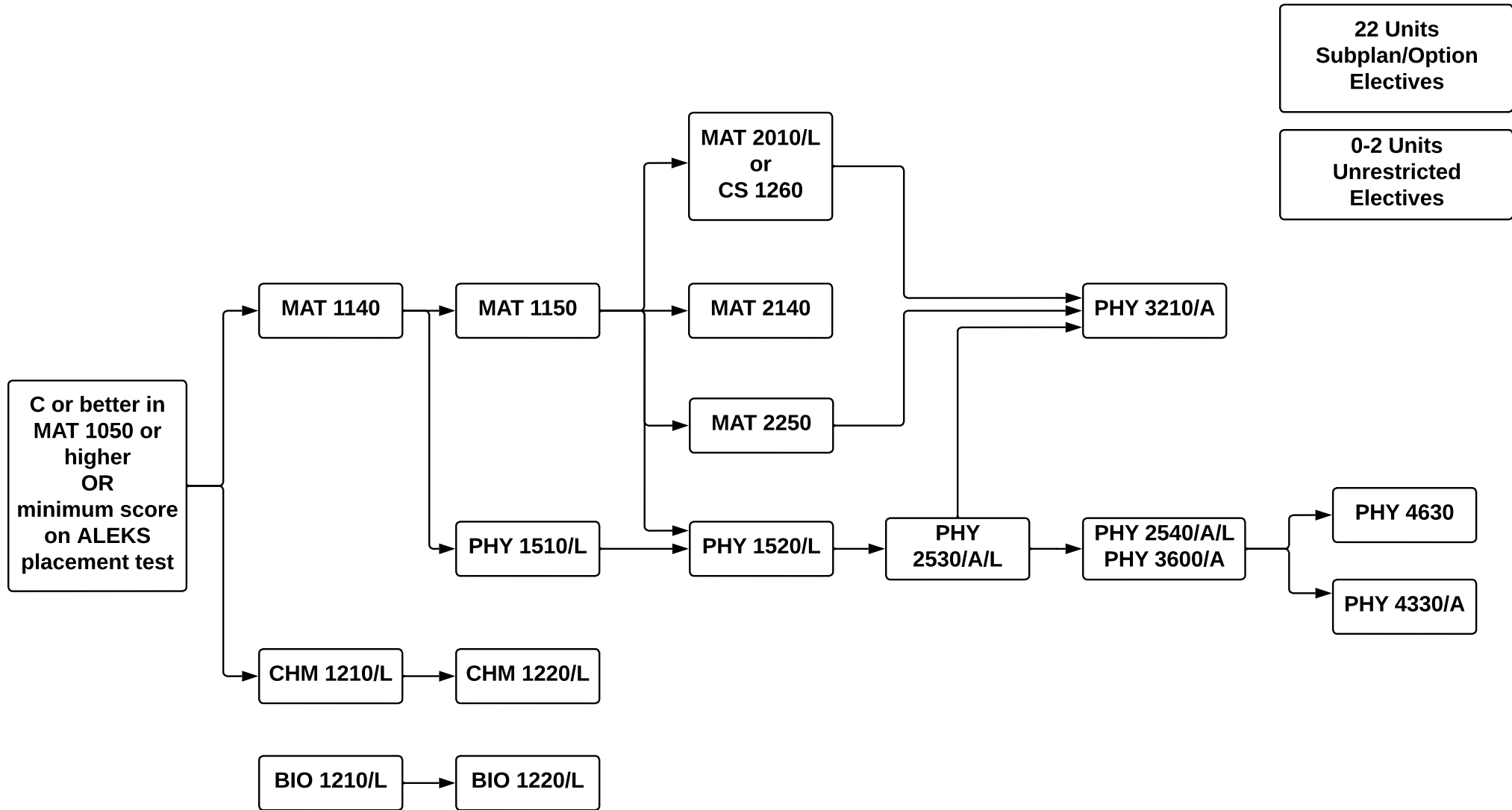
## Prerequisite Level 6

- PHY 4010/A  
Requires PHY 2540/A/L and PHY 3600/A
- PHY 4140/A  
Requires PHY 2540/A/L and PHY 3600/A
- PHY 4330/A  
Requires PHY 2540/A/L and PHY 3600/A
- PHY 4630  
Requires PHY 2540/A/L and PHY 3600/A

## Other Courses

- 14 Units Subplan/Option Electives  
At least 2 units from PHY 4510A/PHY 4510L or from PHY 4520A/PHY 4520L
- 0-6 Units Unrestricted Electives

# Physics: Biophysics



# Physics: Biophysics

## Prerequisite Level 0

- BIO 1210/L
- C or better in MAT 1050 or higher OR minimum score on ALEKS placement test

## Prerequisite Level 1

- BIO 1220/L  
Requires BIO 1210/L
- CHM 1210/L  
Requires C or better in MAT 1050 or higher OR minimum score on ALEKS placement test
- MAT 1140  
Requires C or better in MAT 1050 or higher OR minimum score on ALEKS placement test

## Prerequisite Level 2

- CHM 1220/L  
Requires CHM 1210/L
- MAT 1150  
Requires MAT 1140
- PHY 1510/L  
Requires MAT 1140

## Prerequisite Level 3

- CS 1260 or MAT 2010/L  
Requires MAT 1150
- MAT 2140  
Requires MAT 1150
- MAT 2250  
Requires MAT 1150
- PHY 1520/L  
Requires MAT 1150 and PHY 1510/L

## Prerequisite Level 4

- PHY 2530/A/L  
Requires PHY 1520/L

## Prerequisite Level 5

- PHY 2540/A/L and PHY 3600/A  
Requires PHY 2530/A/L
- PHY 3210/A  
Requires CS 1260 or MAT 2010/L, MAT 2250, and PHY 2530/A/L

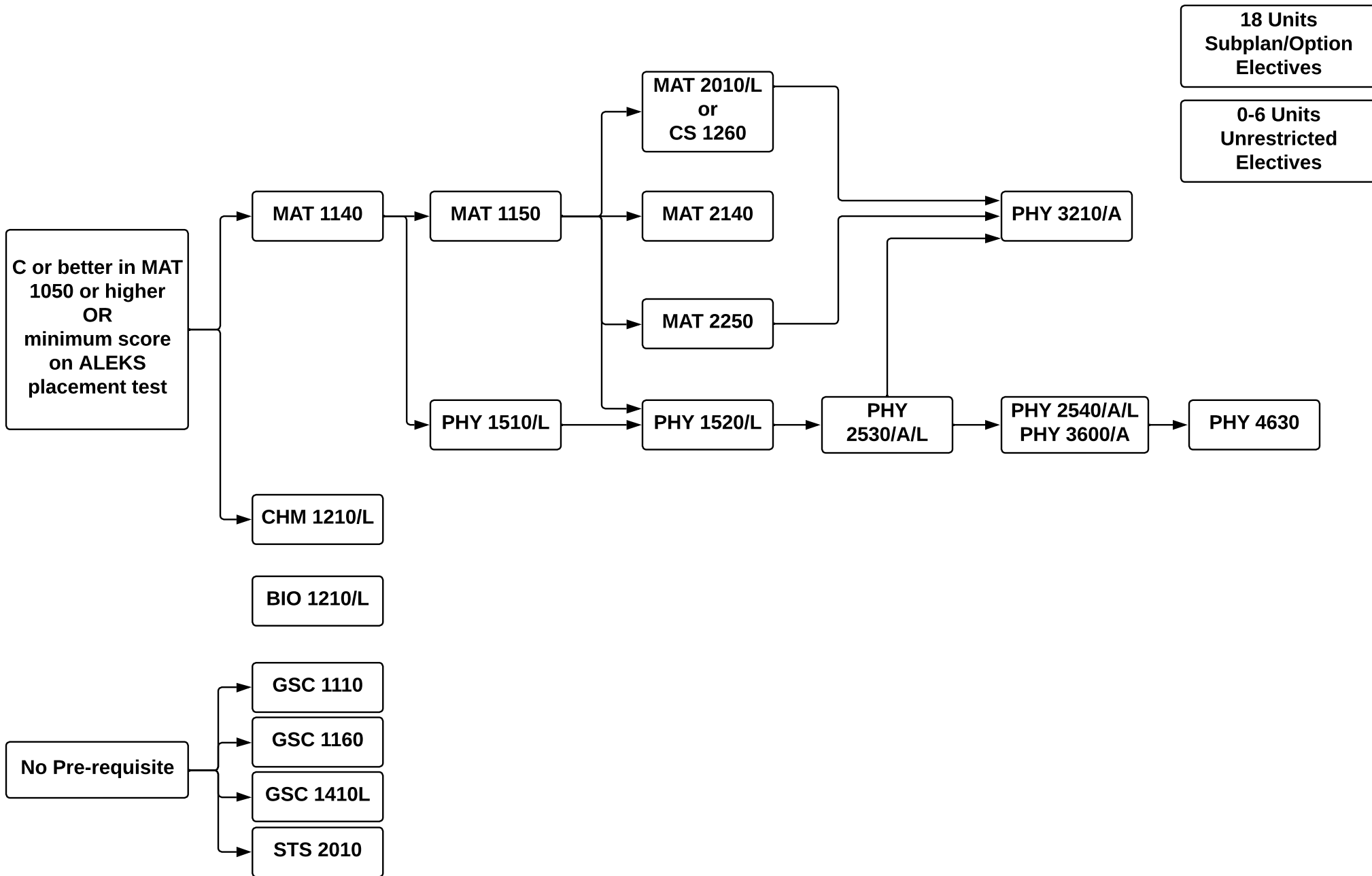
## Prerequisite Level 6

- PHY 4330/A  
Requires PHY 2540/A/L and PHY 3600/A
- PHY 4630  
Requires PHY 2540/A/L and PHY 3600/A

## Other Courses

- 22 Units Subplan/Option Electives
- 0-2 Units Unrestricted Electives

# Physics: Integrated Science



# Physics: Integrated Science

## Prerequisite Level 0

- BIO 1210/L
- GSC 1110
- GSC 1160
- GSC 1410L
- STS 2010
- C or better in MAT 1050 or higher OR minimum score on ALEKS placement test

## Prerequisite Level 1

- CHM 1210/L  
Requires C or better in MAT 1050 or higher OR minimum score on ALEKS placement test
- MAT 1140  
Requires C or better in MAT 1050 or higher OR minimum score on ALEKS placement test

## Prerequisite Level 2

- MAT 1150  
Requires MAT 1140
- PHY 1510/L  
Requires MAT 1140

## Prerequisite Level 3

- CS 1260 or MAT 2010/L  
Requires MAT 1150
- MAT 2140  
Requires MAT 1150
- MAT 2250  
Requires MAT 1150
- PHY 1520/L  
Requires MAT 1150 and PHY 1510/L

## Prerequisite Level 4

- PHY 2530/A/L  
Requires PHY 1520/L

## Prerequisite Level 5

- PHY 2540/A/L and PHY 3600/A  
Requires PHY 2530/A/L
- PHY 3210/A  
Requires CS 1260 or MAT 2010/L, MAT 2250, and PHY 2530/A/L

## Prerequisite Level 6

- PHY 4630  
Requires PHY 2540/A/L and PHY 3600/A

## Other Courses

- 18 Units Subplan/Option Electives
- 0-6 Units Unrestricted Electives