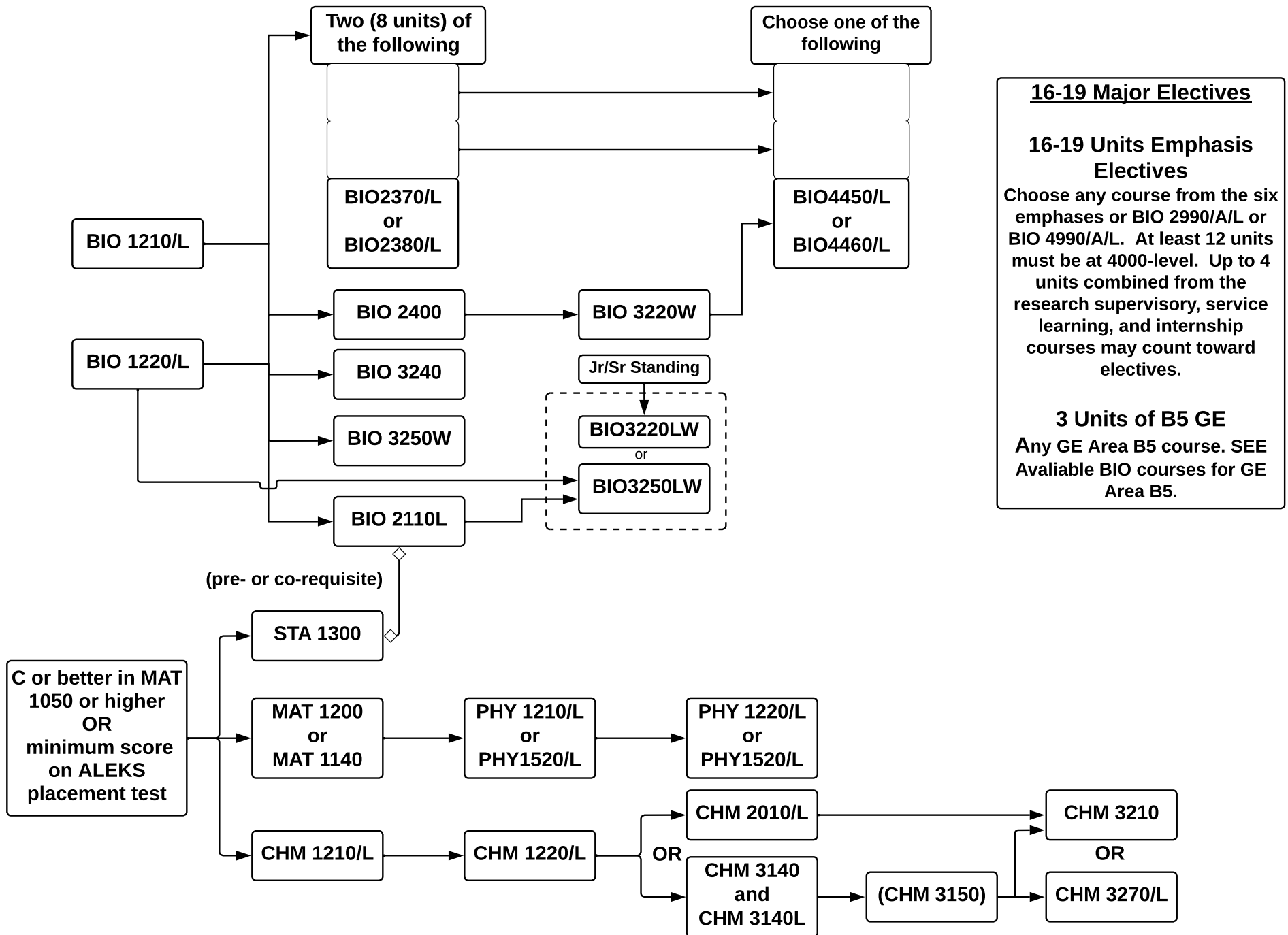


2025-2026
College of Science
Flow Charts

The
College of Science



General Biology



General Biology

Prerequisite Level 0

- BIO 1210/L
- BIO 1220/L
- C or better in MAT 1050 or higher OR minimum score on ALEKS placement test

Prerequisite Level 1

- BIO 2110L
Requires BIO 1210/L and BIO 1220/L, pre- or co-requisite STA 1300
- Two (8 units) of the following:
BIO 2370/L or BIO 2380/L
Requires BIO 1210/L and BIO 1220/L
- BIO 2400
Requires BIO 1210/L and BIO 1220/L
- BIO 3240
Requires BIO 1210/L and BIO 1220/L
- BIO 3250W
Requires BIO 1210/L and BIO 1220/L
- CHM 1210/L
Requires C or better in MAT 1050 or higher OR minimum score on ALEKS placement test
- MAT 1140 or MAT 1200
Requires C or better in MAT 1050 or higher OR minimum score on ALEKS placement test

- STA 1300
Requires C or better in MAT 1050 or higher OR minimum score on ALEKS placement test

Prerequisite Level 2

- BIO 3220W
Requires BIO 2400
- BIO 3220LW or BIO 3250LW
Requires Junior/Senior standing
BIO 3250LW requires BIO 1220/L and BIO 2110L
- CHM 1220/L
Requires CHM 1210/L
- PHY 1210/L or PHY 1520/L
Requires MAT 1140 or MAT 1200

Prerequisite Level 3

- Choose one of the following:
BIO 4450/L or BIO 4460/L
Requires BIO 2370/L, BIO 2380/L, and BIO 3220W
- CHM 2010/L or CHM 3140 and CHM 3140L
Requires CHM 1220/L
- PHY 1220/L or PHY 1520/L
Requires PHY 1210/L or PHY 1520/L

Prerequisite Level 4

- (CHM 3150)
Only if not taking CHM 2010/L
Requires CHM 3140 and CHM 3140L

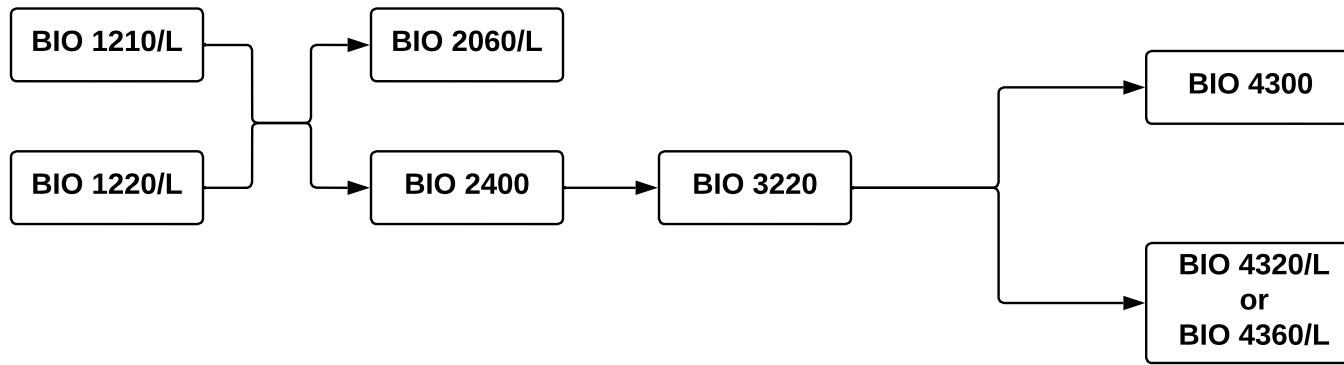
Prerequisite Level 5

- CHM 3210 or CHM 3270/L
CHM 3210 requires CHM 2010/L or CHM 3150
CHM 3270/L requires CHM 3150

Other Courses

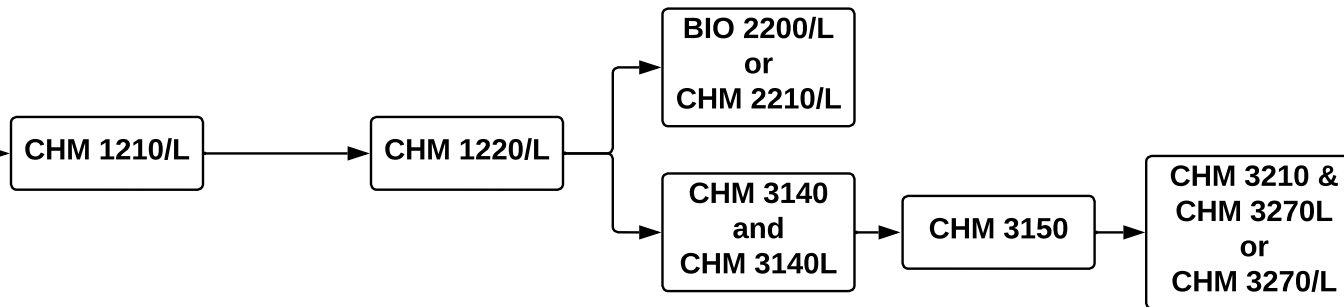
- 16-19 Major Electives
- 16-19 Units Emphasis Electives
Choose any course from the six emphases or BIO 2990/A/L or BIO 4990/A/L. At least 12 units must be at 4000-level. Up to 4 units combined from the research supervisory, service learning, and internship courses may count toward electives.
- 3 Units of B5 GE
Any GE Area B5 course. SEE available BIO courses for GE Area B5.

Biotechnology



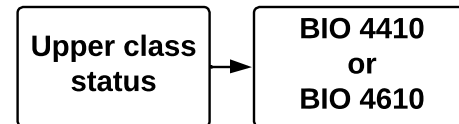
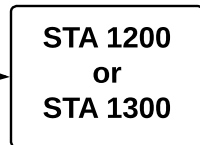
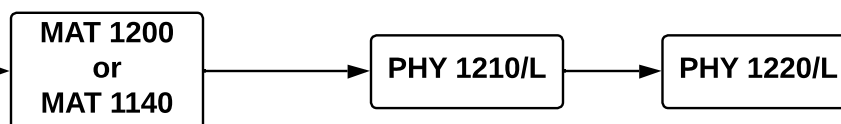
20-21 Units Major Electives

Choose any course from the five emphases & up to 3 units combined from the unused BIO 4410/4610, BIO 4000, or BIO 4620.



See available BIO courses for GE Area B5

C or better in MAT 1050 or higher OR minimum score on ALEKS placement test



If you take both BIO 2200/BIO 2200 L and CHM 2210/CHM 2210 L, or if you take both BIO 4320/BIO 4320L and BIO 4360/BIO 4360L, the extra credits could count towards your Major Electives units.

Biotechnology

Prerequisite Level 0

- BIO 1210/L
- BIO 1220/L
- C or better in MAT 1050 or higher OR minimum score on ALEKS placement test

Prerequisite Level 1

- BIO 2060/L
Requires BIO 1210/L and BIO 1220/L
- BIO 2400
Requires BIO 1210/L and BIO 1220/L
- BIO 4410 or BIO 4610
Requires upper class status
- CHM 1210/L
Requires C or better in MAT 1050 or higher OR minimum score on ALEKS placement test
- MAT 1140 or MAT 1200
Requires C or better in MAT 1050 or higher OR minimum score on ALEKS placement test
- STA 1200 or STA 1300
Requires C or better in MAT 1050 or higher OR minimum score on ALEKS placement test

Prerequisite Level 2

- BIO 3220
Requires BIO 2400
- CHM 1220/L
Requires CHM 1210/L
- PHY 1210/L
Requires MAT 1140 or MAT 1200

Prerequisite Level 3

- BIO 2200/L or CHM 2210/L
Requires CHM 1220/L
- BIO 4300
Requires BIO 3220
- BIO 4320/L or BIO 4360/L
Requires BIO 3220
- CHM 3140 and CHM 3140L
Requires CHM 1220/L
- PHY 1220/L
Requires PHY 1210/L

Prerequisite Level 4

- CHM 3150
Requires CHM 3140 and CHM 3140L

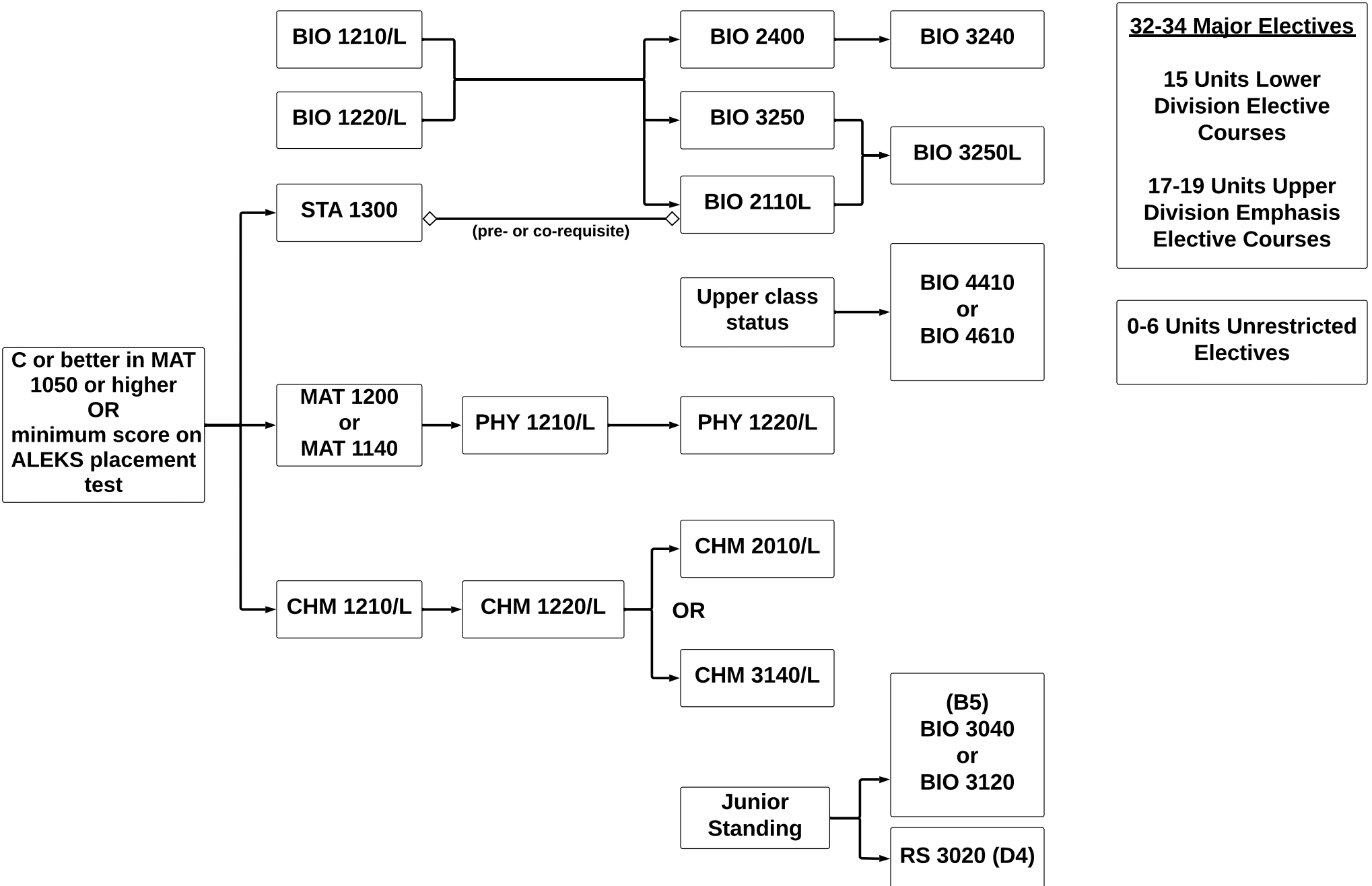
Prerequisite Level 5

- CHM 3210 and CHM 3270L or CHM 3270/L
Requires CHM 3150

Other Courses

- 20-21 Units Major Electives
Choose any course from the five emphases & up to 3 units combined from the unused BIO 4410/4610, BIO 4000, or BIO 4620.
- See available BIO courses for GE Area B5
- If you take both BIO 2200/BIO 2200L and CHM 2210/CHM 2210L, or if you take both BIO 4320/BIO 4320L and BIO 4360/BIO 4360L, the extra credits could count towards your Major Electives units.

Environmental Biology



32-34 Major Electives

15 Units Lower Division Elective Courses

17-19 Units Upper Division Emphasis Elective Courses

0-6 Units Unrestricted Electives

Environmental Biology

Prerequisite Level 0

- BIO 1210/L
- BIO 1220/L
- C or better in MAT 1050 or higher OR minimum score on ALEKS placement test

Prerequisite Level 1

- BIO 2110L
Requires BIO 1210/L and BIO 1220/L, pre- or co-requisite STA 1300
- BIO 2400
Requires BIO 1210/L and BIO 1220/L
- BIO 3040 or BIO 3120 (B5)
Requires junior standing
- BIO 3250
Requires BIO 1210/L and BIO 1220/L
- BIO 4410 or BIO 4610
Requires upper class status
- CHM 1210/L
Requires C or better in MAT 1050 or higher OR minimum score on ALEKS placement test
- MAT 1200 or MAT 1140
Requires C or better in MAT 1050 or higher OR minimum score on ALEKS placement test
- RS 3020 (D4)
Requires junior standing
- STA 1300
Requires C or better in MAT 1050 or higher OR minimum score on ALEKS placement test

Prerequisite Level 2

- BIO 3240
Requires BIO 2400
- BIO 3250L
Requires BIO 2110L and BIO 3250
- CHM 1220/L
Requires CHM 1210/L
- PHY 1210/L
Requires MAT 1140 or MAT 1200

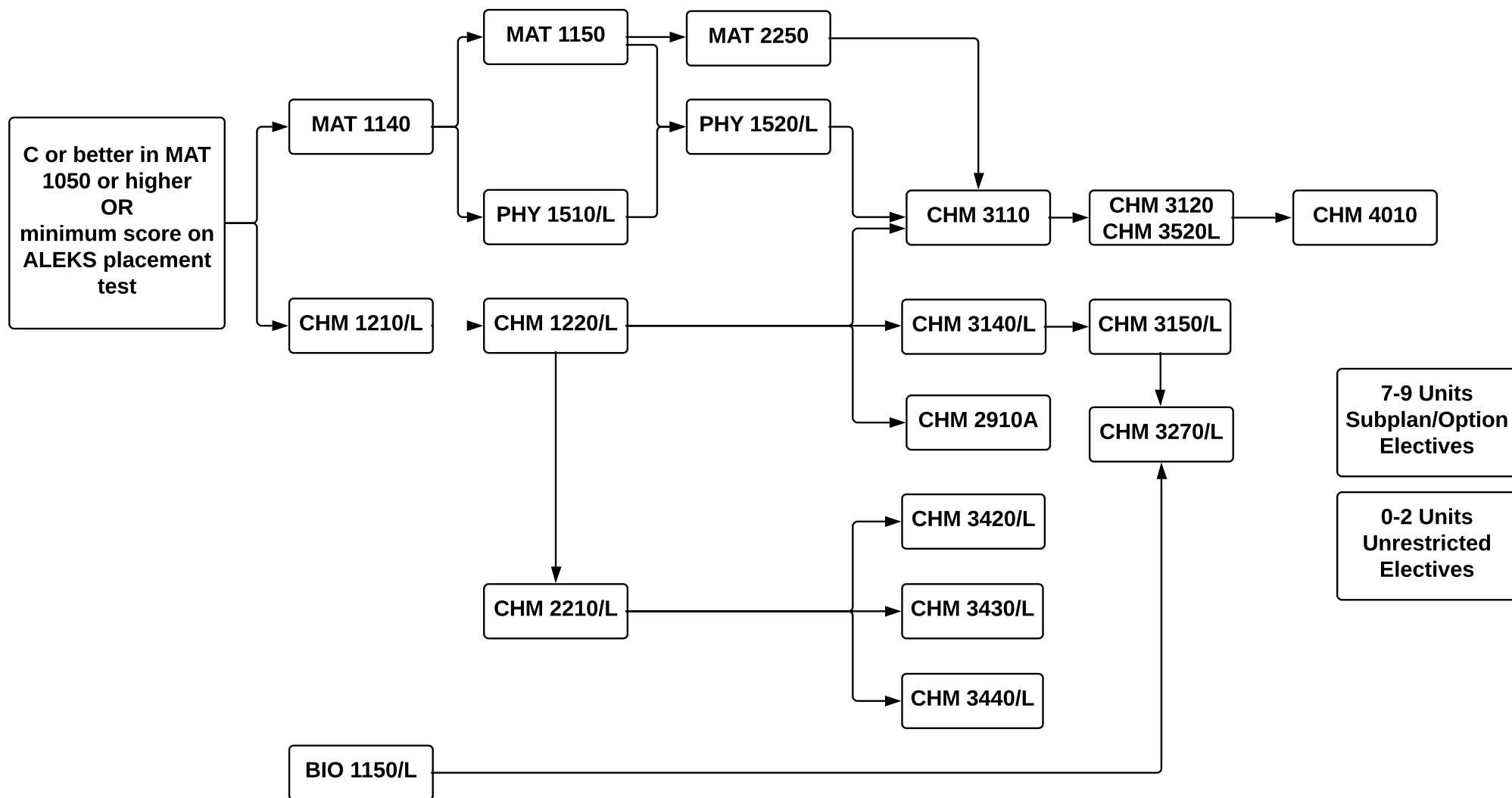
Prerequisite Level 3

- CHM 2010/L or CHM 3140/L
Requires CHM 1220/L
- PHY 1220/L
Requires PHY 1210/L

Other Courses

- 32-34 Major Electives
 - 15 Units Lower Division Elective Courses
 - 17-19 Units Upper Division Emphasis Elective Courses
- 0-6 Units Unrestricted Electives

Chemistry: ACS



Chemistry: ACS

Prerequisite Level 0

- BIO 1150/L
- C or better in MAT 1050 or higher OR minimum score on ALEKS placement test

Prerequisite Level 1

- CHM 1210/L
Requires C or better in MAT 1050 or higher OR minimum score on ALEKS placement test
- MAT 1140
Requires C or better in MAT 1050 or higher OR minimum score on ALEKS placement test

Prerequisite Level 2

- CHM 1220/L
Requires CHM 1210/L
- MAT 1150
Requires MAT 1140
- PHY 1510/L
Requires MAT 1140

Prerequisite Level 3

- CHM 2210/L
Requires CHM 1220/L
- CHM 2910A
Requires CHM 1220/L
- CHM 3140/L
Requires CHM 1220/L
- MAT 2250
Requires MAT 1150
- PHY 1520/L
Requires MAT 1150 and PHY 1510/L

Prerequisite Level 4

- CHM 3110
Requires CHM 1220/L, MAT 2250, and PHY 1520/L
- CHM 3150/L
Requires CHM 3140/L
- CHM 3420/L
Requires CHM 2210/L
- CHM 3430/L
Requires CHM 2210/L
- CHM 3440/L
Requires CHM 2210/L

Prerequisite Level 5

- CHM 3120 and CHM 3520L
Requires CHM 3110
- CHM 3270/L
Requires BIO 1150/L and CHM 3150/L

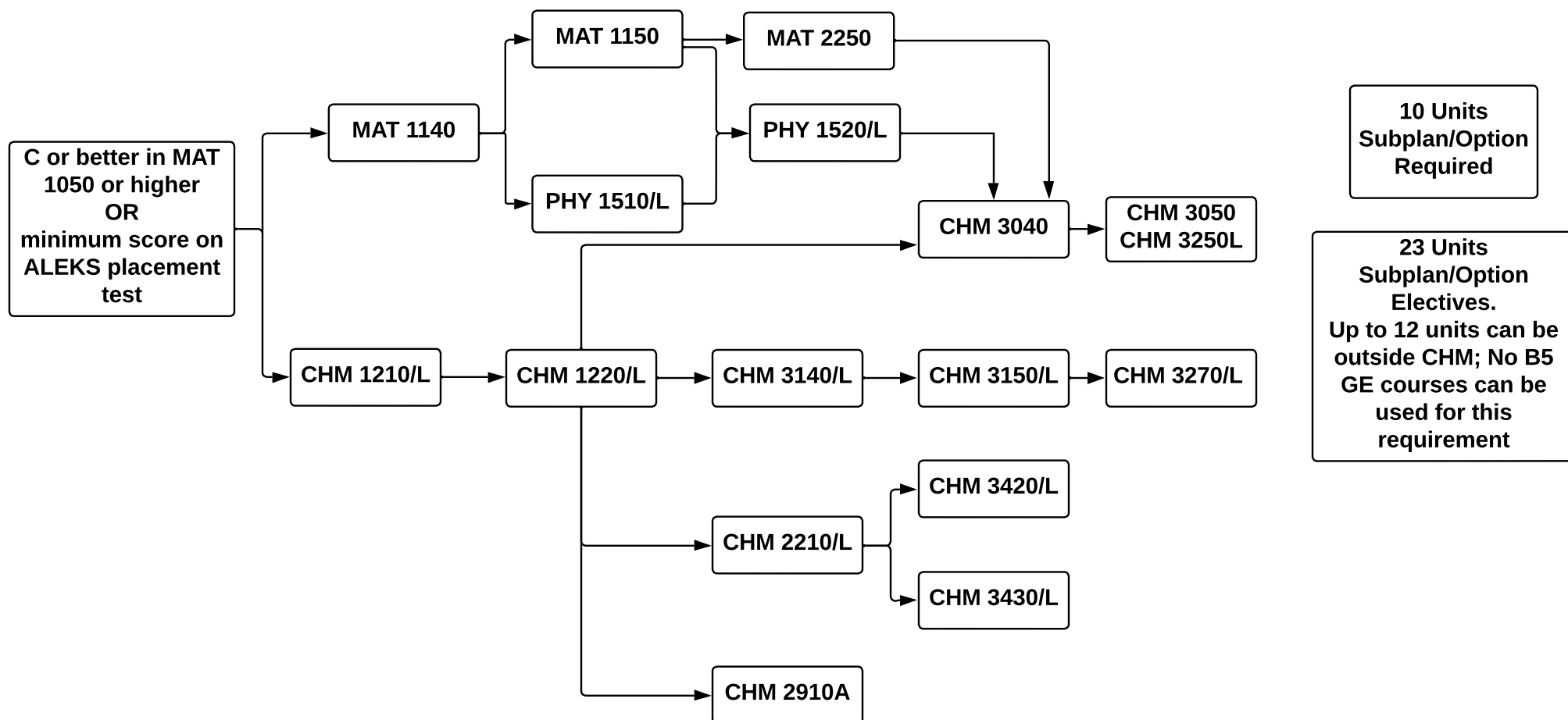
Prerequisite Level 6

- CHM 4010
Requires CHM 3120 and CHM 3520L

Other Courses

- 7-9 Units Subplan/Option Electives
- 0-2 Units Unrestricted Electives

Chemistry: General



**10 Units
 Subplan/Option
 Required**

**23 Units
 Subplan/Option
 Electives.
 Up to 12 units can be
 outside CHM; No B5
 GE courses can be
 used for this
 requirement**

Chemistry: General

Prerequisite Level 0

- C or better in MAT 1050 or higher OR minimum score on ALEKS placement test

Prerequisite Level 1

- CHM 1210/L
Requires C or better in MAT 1050 or higher OR minimum score on ALEKS placement test
- MAT 1140
Requires C or better in MAT 1050 or higher OR minimum score on ALEKS placement test

Prerequisite Level 2

- CHM 1220/L
Requires CHM 1210/L
- MAT 1150
Requires MAT 1140
- PHY 1510/L
Requires MAT 1140

Prerequisite Level 3

- CHM 2210/L
Requires CHM 1220/L
- CHM 2910A
Requires CHM 1220/L
- CHM 3140/L
Requires CHM 1220/L
- MAT 2250
Requires MAT 1150
- PHY 1520/L
Requires MAT 1150 and PHY 1510/L

Prerequisite Level 4

- CHM 3040
Requires CHM 1220/L, MAT 2250, and PHY 1520/L
- CHM 3150/L
Requires CHM 3140/L
- CHM 3420/L
Requires CHM 2210/L
- CHM 3430/L
Requires CHM 2210/L

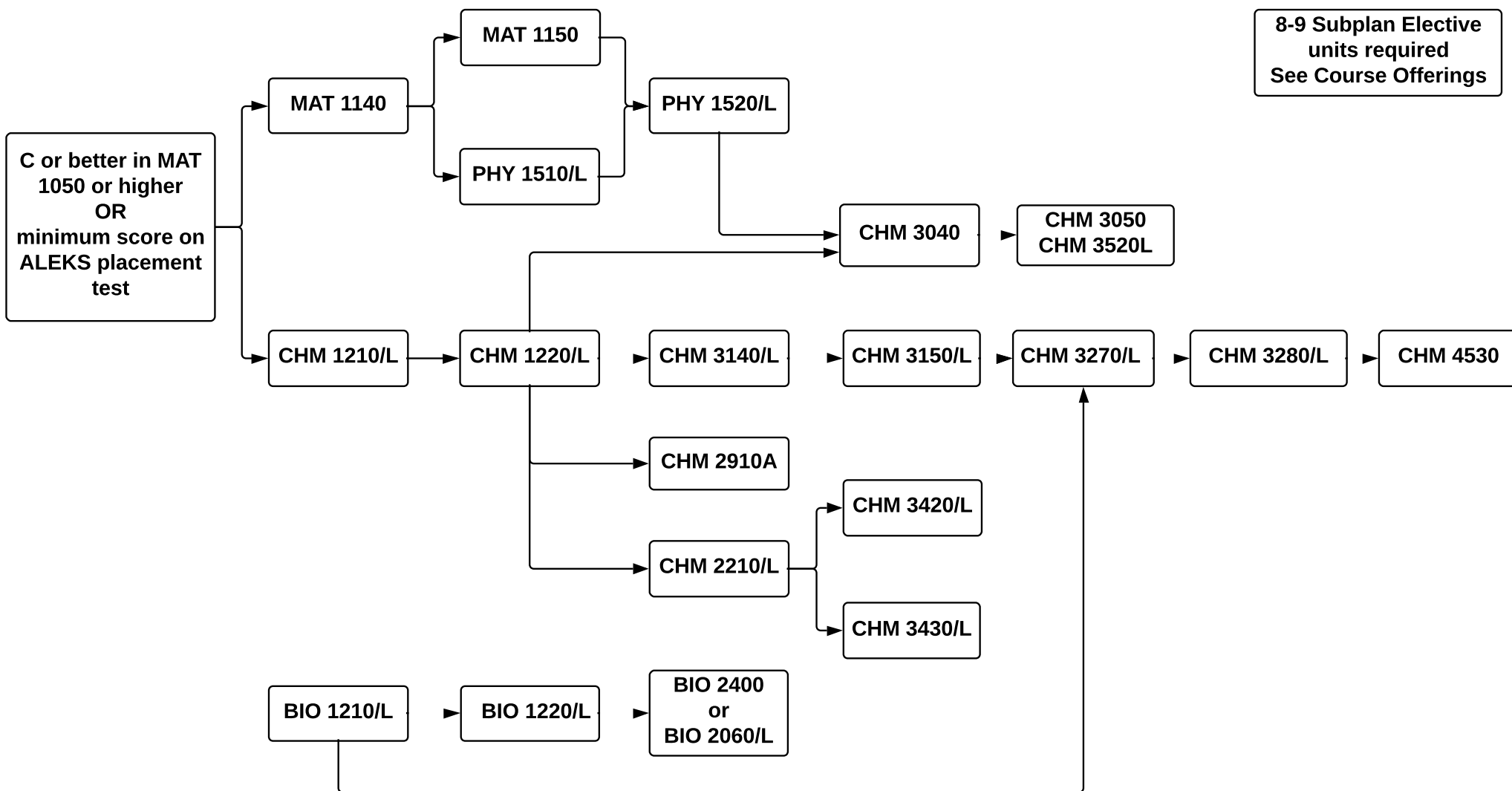
Prerequisite Level 5

- CHM 3050 and CHM 3250L
Requires CHM 3040
- CHM 3270/L
Requires CHM 3150/L

Other Courses

- 10 Units Subplan/Option Required
- 23 Units Subplan/Option Electives
Up to 12 units can be outside CHM;
No B5 GE courses can be used for this requirement

Chemistry: Biochemistry



Chemistry: Biochemistry

Prerequisite Level 0

- BIO 1210/L
- C or better in MAT 1050 or higher OR minimum score on ALEKS placement test

Prerequisite Level 1

- BIO 1220/L
Requires BIO 1210/L
- CHM 1210/L
Requires C or better in MAT 1050 or higher OR minimum score on ALEKS placement test
- MAT 1140
Requires C or better in MAT 1050 or higher OR minimum score on ALEKS placement test

Prerequisite Level 2

- BIO 2060/L or BIO 2400
Requires BIO 1220/L
- CHM 1220/L
Requires CHM 1210/L
- MAT 1150
Requires MAT 1140
- PHY 1510/L
Requires MAT 1140

Prerequisite Level 3

- CHM 2210/L
Requires CHM 1220/L
- CHM 2910A
Requires CHM 1220/L
- CHM 3140/L
Requires CHM 1220/L
- PHY 1520/L
Requires MAT 1150 and PHY 1510/L

Prerequisite Level 4

- CHM 3040
Requires CHM 1220/L and PHY 1520/L
- CHM 3150/L
Requires CHM 3140/L
- CHM 3420/L
Requires CHM 2210/L
- CHM 3430/L
Requires CHM 2210/L

Prerequisite Level 5

- CHM 3050 and CHM 3520L
Requires CHM 3040
- CHM 3270/L
Requires BIO 1210/L and CHM 3150/L

Prerequisite Level 6

- CHM 3280/L
Requires CHM 3270/L

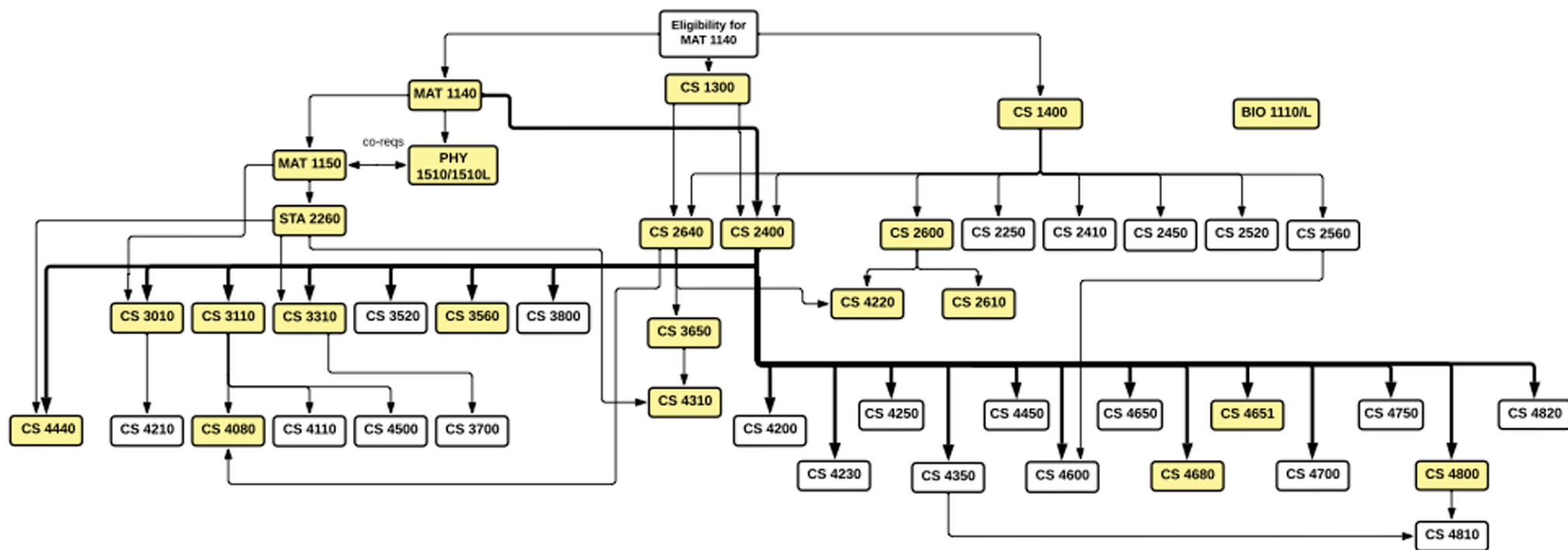
Prerequisite Level 7

- CHM 4530
Requires CHM 3280/L

Other Courses

- 8-9 Subplan Elective units required
See course offerings

Computer Science



67 Major Units Required

Highlighted by yellow boxes

17 Elective Units Required

Elective courses to be chosen from among the white boxes

Junior or Senior Standing

CS 3750

Senior Standing and GWT passed

CS 4630

Computer Science

Prerequisite Level 0

- BIO 1110/L
- Eligibility for MAT 1140

Prerequisite Level 1

- CS 1300
Requires eligibility for MAT 1140
- CS 1400
Requires eligibility for MAT 1140
- CS 3750
Requires junior or senior standing
- CS 4630
Requires senior standing and GWT passed
- MAT 1140
Requires eligibility for MAT 1140

Prerequisite Level 2

- CS 2400
Requires CS 1300, CS 1400, and MAT 1140
- CS 2600
Requires CS 1400
- CS 2640
Requires CS 1300 and CS 1400
- MAT 1150
Requires MAT 1140
Co-requisite PHY 1510/1510L
- PHY 1510/1510L
Requires MAT 1140, co-requisite MAT 1150

Prerequisite Level 3

- CS 2610
Requires CS 2600
- CS 3010
Requires CS 2400 and MAT 1150
- CS 3110
Requires CS 2400
- CS 3560
Requires CS 2400
- CS 3650
Requires CS 2640
- CS 4220
Requires CS 2600 and CS 2640
- CS 4651
Requires CS 2400
- CS 4680
Requires CS 2400
- CS 4800
Requires CS 2400
- STA 2260
Requires MAT 1150

Prerequisite Level 4

- CS 3310
Requires CS 2400 and STA 2260
- CS 4080
Requires CS 2640 and CS 3110
- CS 4310
Requires CS 3650 and STA 2260
- CS 4440
Requires CS 2400 and STA 2260

Electives

Prerequisite Level 2

- CS 2250
Requires CS 1400
- CS 2410
Requires CS 1400
- CS 2450
Requires CS 1400
- CS 2520
Requires CS 1400
- CS 2560
Requires CS 1400

Prerequisite Level 3

- CS 3520
Requires CS 2400
- CS 3800
Requires CS 2400
- CS 4200
Requires CS 2400
- CS 4230
Requires CS 2400
- CS 4250
Requires CS 4200
- CS 4350
Requires CS 2400
- CS 4450
Requires CS 2400
- CS 4600
Requires CS 2400 and CS 2560

- CS 4650
Requires CS 2400
- CS 4700
Requires CS 2400
- CS 4750
Requires CS 2400
- CS 4820
Requires CS 2400

Prerequisite Level 4

- CS 4110
Requires CS 3110
- CS 4210
Requires CS 3010
- CS 4500
Requires CS 3110
- CS 4810
Requires CS 4350 and CS 4800

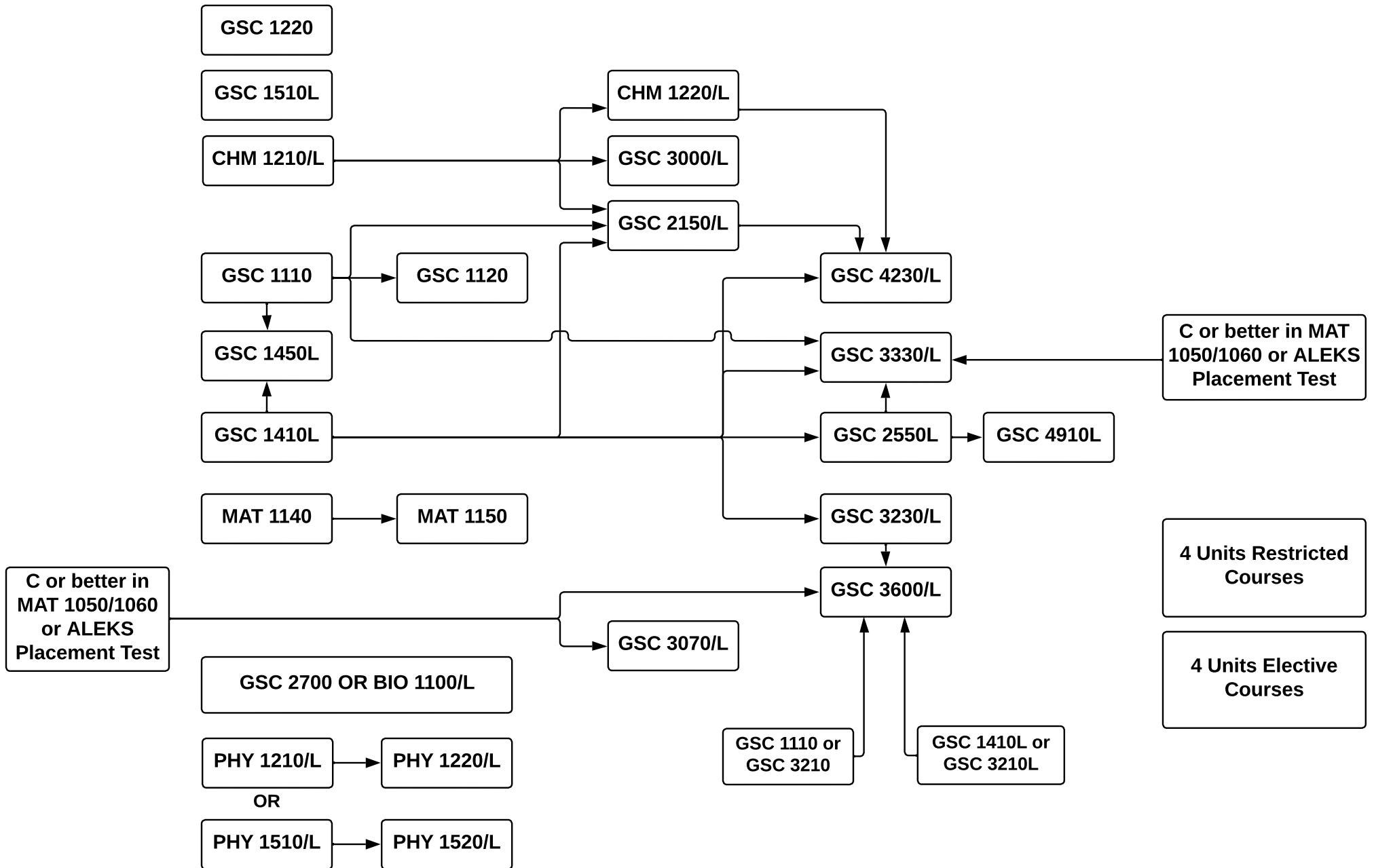
Prerequisite Level 5

- CS 3700
Requires CS 3310

Other Courses

- 67 Major Units Required
- 17 Elective Units Required

Geological Sciences



Geological Sciences

Prerequisite Level 0

- CHM 1210/L
- GSC 1110
- GSC 1220
- GSC 1410L
- GSC 1510L
- GSC 2700 or BIO 1100/L
- MAT 1140
- PHY 1210/L or PHY 1510/L
- C or better in MAT 1050/1060 or ALEKS Placement Test

Prerequisite Level 1

- CHM 1220/L
Requires CHM 1210/L
- GSC 1120
Requires GSC 1110
- GSC 1450L
Requires GSC 1110 and GSC 1410L
- GSC 2150/L
Requires CHM 1210/L, GSC 1110, and GSC 1410L
- GSC 2550L
Requires GSC 1410L
- GSC 3000/L
Requires CHM 1210/L
- GSC 3070/L
Requires C or better in MAT 1050/1060 or ALEKS Placement Test
- GSC 3230/L
Requires GSC 1410L
- MAT 1150
Requires MAT 1140
- PHY 1220/L or PHY 1520/L
PHY 1220/L requires PHY 1210/L
PHY 1520/L requires PHY 1510/L

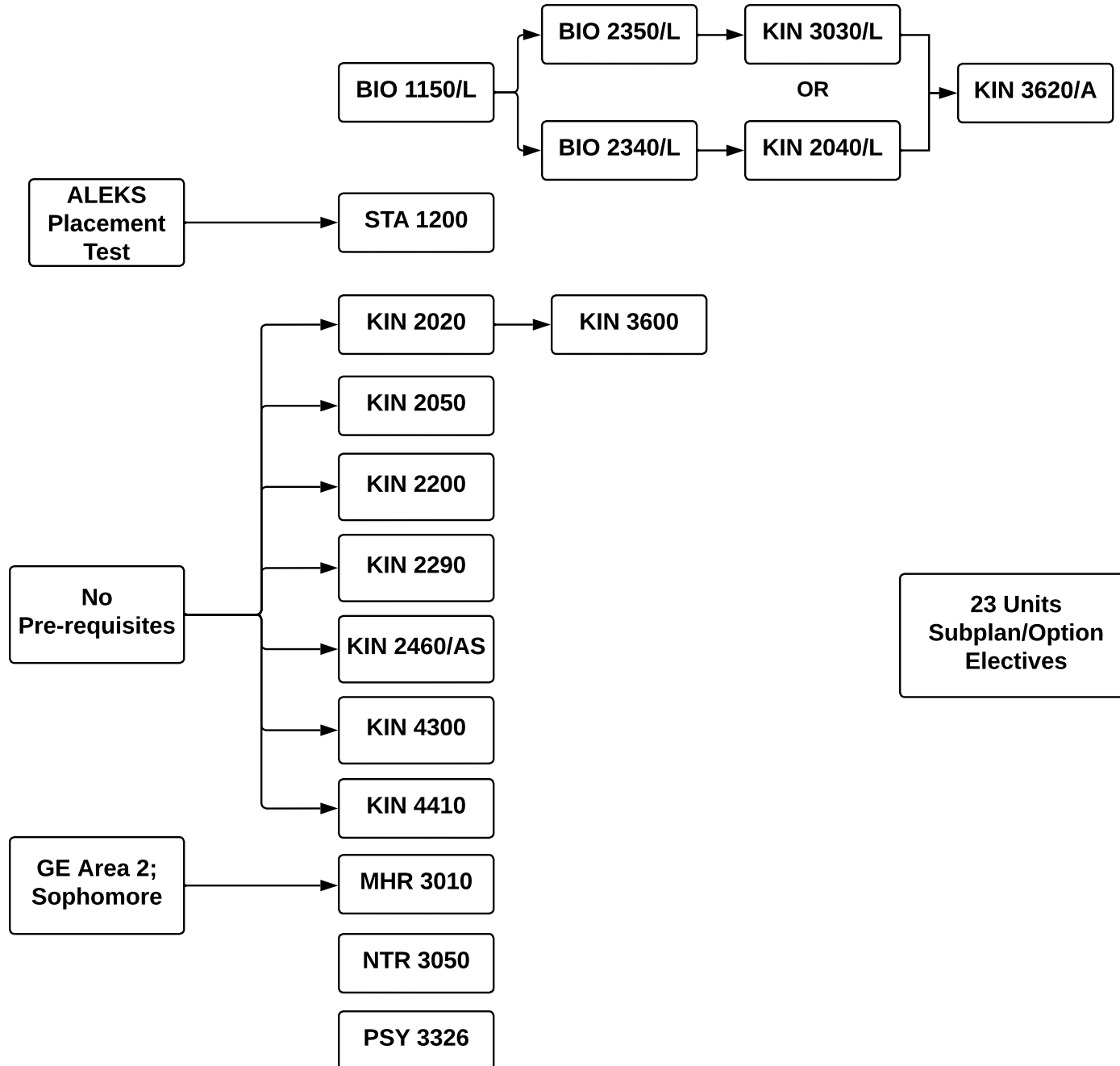
Prerequisite Level 2

- GSC 3330/L
Requires GSC 1110, GSC 1410L, GSC 2550L, and C or better in MAT 1050/1060 or ALEKS Placement Test
- GSC 3600/L
Requires GSC 1110 or GSC 3210, GSC 1410L or GSC 3210L, GSC 3230/L, and C or better in MAT 1050/1060 or ALEKS Placement Test
- GSC 4230/L
Requires CHM 1220/L, GSC 1410L, and GSC 2150/L
- GSC 4910L
Requires GSC 2550L

Other Courses

- 4 Units Restricted Courses
- 4 Units Elective Courses

Kinesiology: General



Kinesiology: General

Prerequisite Level 0

- BIO 1150/L
- KIN 2020
- KIN 2050
- KIN 2200
- KIN 2290
- KIN 2460/AS
- KIN 4300
- KIN 4410
- NTR 3050
- PSY 3326
- ALEKS Placement Test
- GE Area 2

Prerequisite Level 1

- BIO 2340/L
Requires BIO 1150/L
- BIO 2350/L
Requires BIO 1150/L
- KIN 3600
Requires KIN 2020
- MHR 3010
Requires GE Area 2 and sophomore standing
- STA 1200
Requires ALEKS Placement Test

Prerequisite Level 2

- KIN 2040/L
Requires BIO 2340/L
- KIN 3030/L
Requires BIO 2350/L

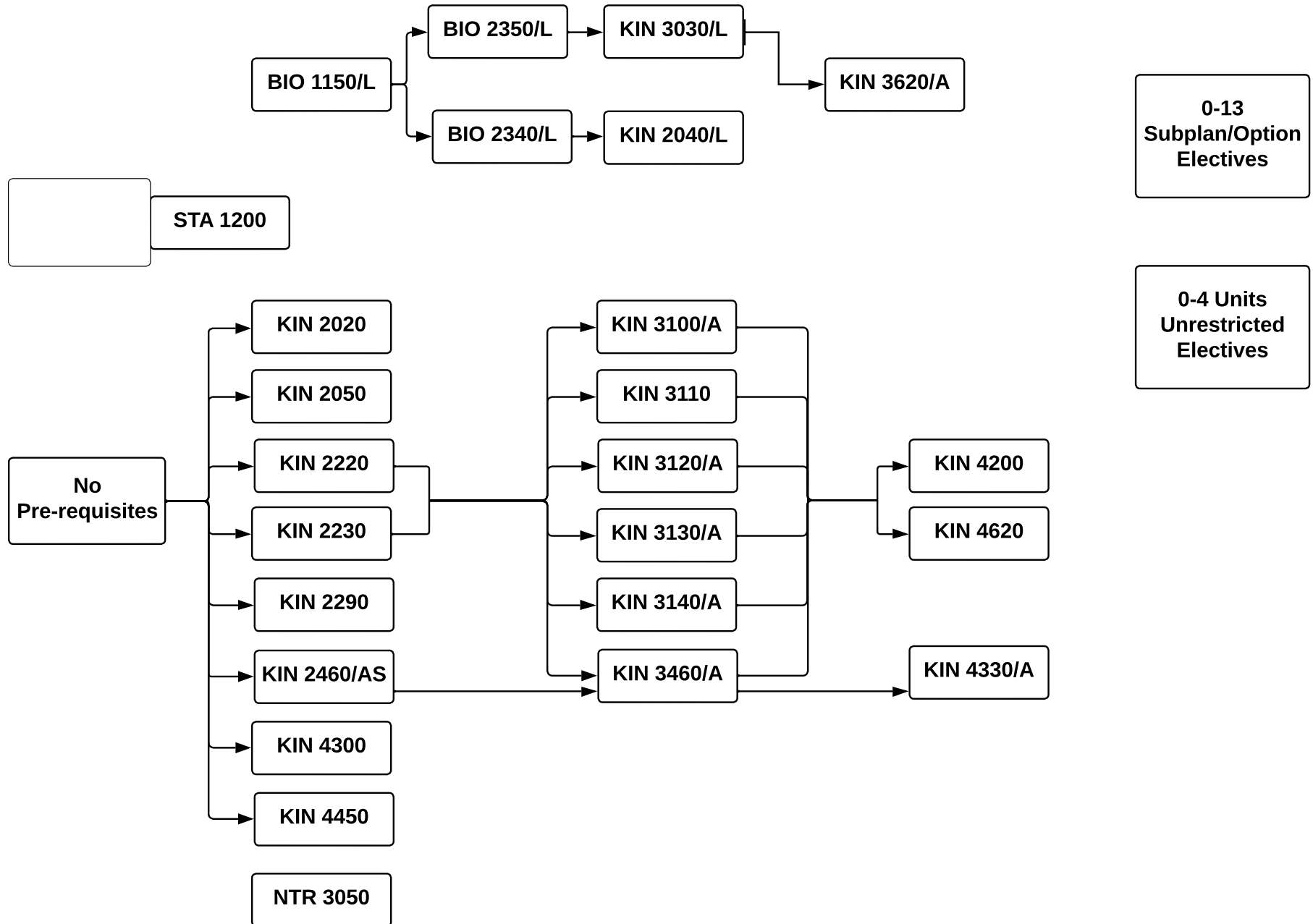
Prerequisite Level 3

- KIN 3620/A
Requires KIN 2040/L or KIN 3030/L

Other Courses

- 23 Units Subplan/Option Electives

Kinesiology: Pedagogy



0-13
 Subplan/Option
 Electives

0-4 Units
 Unrestricted
 Electives

Kinesiology: Pedagogy

Prerequisite Level 0

- BIO 1150/L
- KIN 2020
- KIN 2050
- KIN 2220
- KIN 2230
- KIN 2290
- KIN 2460/AS
- KIN 4300
- KIN 4450
- NTR 3050
- STA 1200

Prerequisite Level 1

- BIO 2340/L
Requires BIO 1150/L
- BIO 2350/L
Requires BIO 1150/L
- KIN 3100/A
Requires KIN 2220 and KIN 2230
- KIN 3110
Requires KIN 2220 and KIN 2230
- KIN 3120/A
Requires KIN 2220 and KIN 2230
- KIN 3130/A
Requires KIN 2220 and KIN 2230
- KIN 3140/A
Requires KIN 2220 and KIN 2230
- KIN 3460/A
Requires KIN 2220, KIN 2230, and KIN 2460/AS

Prerequisite Level 2

- KIN 2040/L
Requires BIO 2340/L
- KIN 3030/L
Requires BIO 2350/L
- KIN 4200
Requires KIN 3100/A, KIN 3110, KIN 3120/A, KIN 3130/A, KIN 3140/A, and KIN 3460/A
- KIN 4330/A
Requires KIN 3460/A
- KIN 4620
Requires KIN 3100/A, KIN 3110, KIN 3120/A, KIN 3130/A, KIN 3140/A, and KIN 3460/A

Prerequisite Level 3

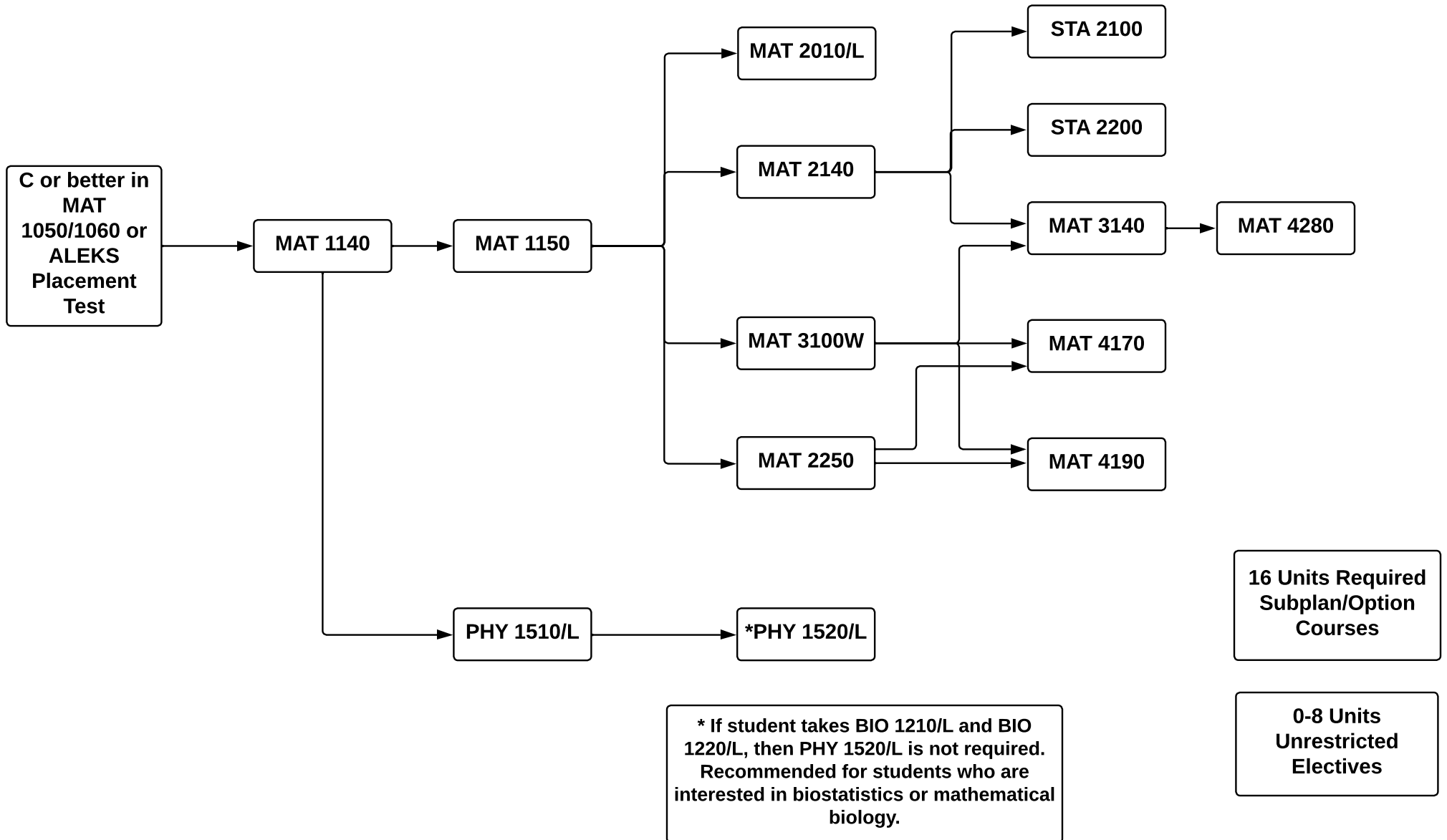
- KIN 3620/A
Requires KIN 3030/L

Other Courses

- 0-13 Subplan/Option Electives
- 0-4 Units Unrestricted Electives

Mathematics

All Options



Mathematics: All Options

Prerequisite Level 0

- C or better in MAT 1050/1060 or ALEKS Placement Test

Prerequisite Level 1

- MAT 1140
Requires C or better in MAT 1050/1060 or ALEKS Placement Test

Prerequisite Level 2

- MAT 1150
Requires MAT 1140
- PHY 1510/L
Requires MAT 1140

Prerequisite Level 3

- MAT 2010/L
Requires MAT 1150
- MAT 2140
Requires MAT 1150
- MAT 2250
Requires MAT 1150
- MAT 3100W
Requires MAT 1150
- *PHY 1520/L
Requires PHY 1510/L

Prerequisite Level 4

- MAT 3140
Requires MAT 2140 and MAT 3100W
- MAT 4170
Requires MAT 2250 and MAT 3100W
- MAT 4190
Requires MAT 2250 and MAT 3100W
- STA 2100
Requires MAT 2140
- STA 2200
Requires MAT 2140

Prerequisite Level 5

- MAT 4280
Requires MAT 3140

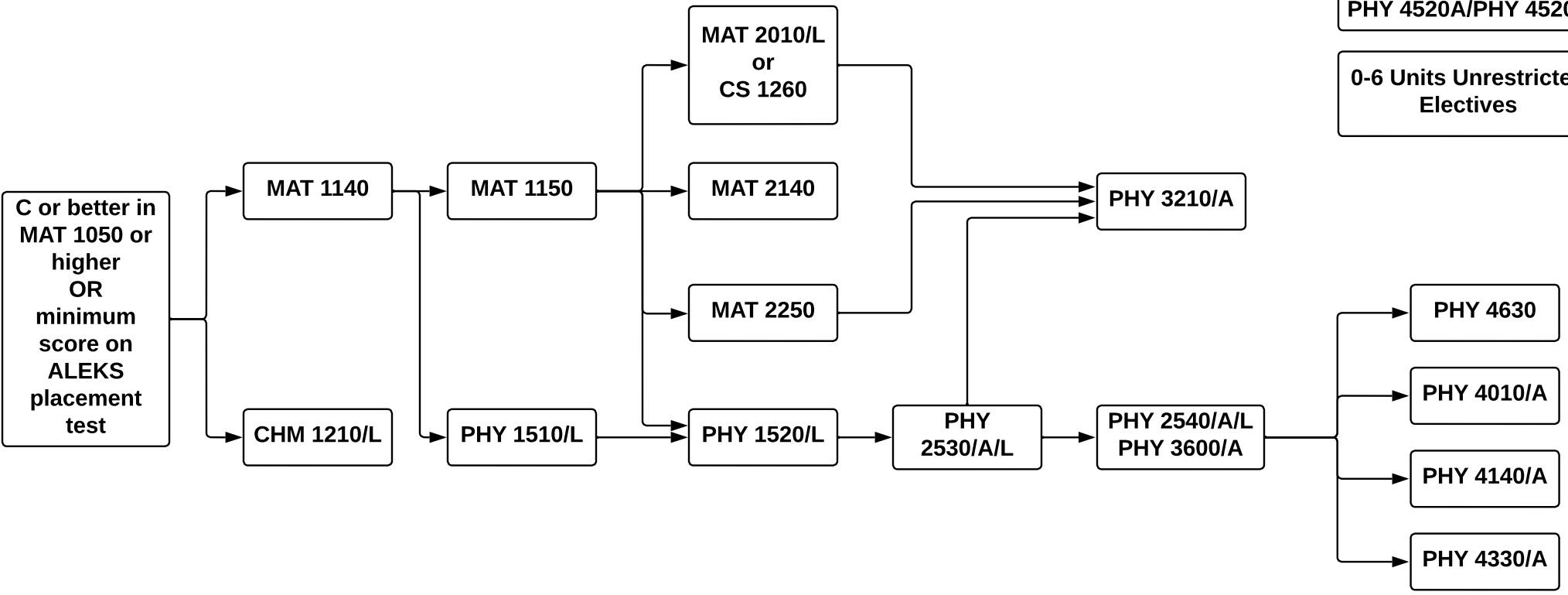
Other Courses

- 16 Units Required
Subplan/Option Courses
- 0-8 Units Unrestricted
Electives
- * If student takes BIO 1210/L and BIO 1220/L, then PHY 1520/L is not required.
Recommended for students who are interested in biostatistics or mathematical biology.

Physics: General

14 Units Subplan
 Option/Electives;
 at least 2 units from
 PHY 4510A/PHY 4510L
 or from
 PHY 4520A/PHY 4520L

0-6 Units Unrestricted
 Electives



Physics: General

Prerequisite Level 0

- C or better in MAT 1050 or higher OR minimum score on ALEKS placement test

Prerequisite Level 1

- CHM 1210/L
Requires C or better in MAT 1050 or higher OR minimum score on ALEKS placement test
- MAT 1140
Requires C or better in MAT 1050 or higher OR minimum score on ALEKS placement test

Prerequisite Level 2

- MAT 1150
Requires MAT 1140
- PHY 1510/L
Requires MAT 1140

Prerequisite Level 3

- CS 1260 or MAT 2010/L
Requires MAT 1150
- MAT 2140
Requires MAT 1150
- MAT 2250
Requires MAT 1150
- PHY 1520/L
Requires MAT 1150 and PHY 1510/L

Prerequisite Level 4

- PHY 2530/A/L
Requires PHY 1520/L

Prerequisite Level 5

- PHY 2540/A/L and PHY 3600/A
Requires PHY 2530/A/L
- PHY 3210/A
Requires CS 1260 or MAT 2010/L, MAT 2250, and PHY 2530/A/L

Prerequisite Level 6

- PHY 4010/A
Requires PHY 2540/A/L and PHY 3600/A
- PHY 4140/A
Requires PHY 2540/A/L and PHY 3600/A
- PHY 4330/A
Requires PHY 2540/A/L and PHY 3600/A
- PHY 4630
Requires PHY 2540/A/L and PHY 3600/A

Other Courses

- 14 Units Subplan/Option Electives
At least 2 units from PHY 4510A/PHY 4510L or from PHY 4520A/PHY 4520L
- 0-6 Units Unrestricted Electives